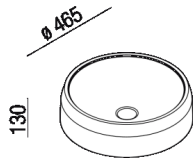




For support or over countertop round washbasin
 ACER1073_

Patricia Urquiola, 2017

Over countertop washbasin, round or oval, in Cristalplant® biobased.



Materials

-  Cristalplant® biobased
-  Marble
-  Concrete

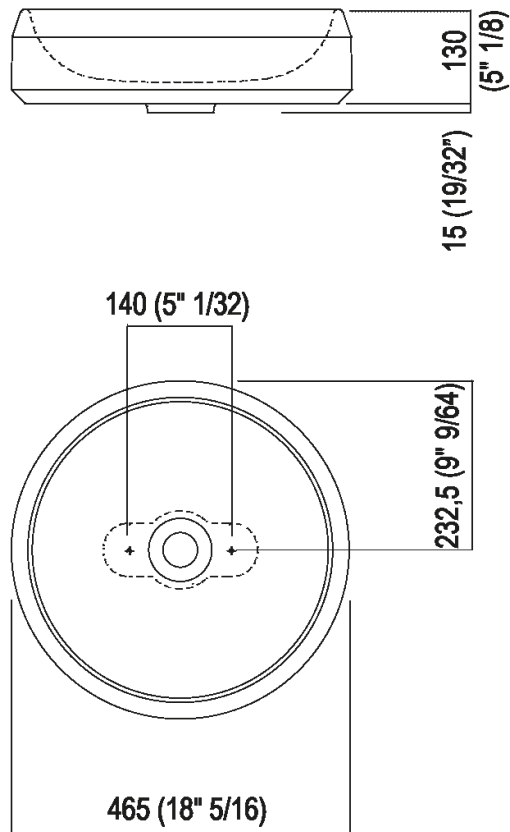
Round over countertop basin in Cristalplant® biobased in white finish or bicoloured with matt painted surface exterior in grey finish (light RAL7044 or dark RAL7021) or Pine green (RAL6028). Also available in white Carrara marble, grey Carnico marble, black Marquina marble, green Alpi marble, dark Emperador marble or Petit Granit. The basin includes the waste fitting with plug in a matching finish (.MET0723).

| | | |
|---------------|-----------------|--------------------------------------|
| Height: | 13 cm | 5" 1/8 inches |
| Diameter: | 46.5 cm | 18" 5/16 inches |
| Weight: | 12 kg | 26 lbs |
| Packaging: | 57 x 57 x 23 cm | 22" 7/16 x 22" 7/16 x 9" 1/16 inches |
| Total weight: | 16 kg | 35 lbs |

Note: The washbasins can be delivered also in Calacatta Vagli and violet Calacatta marble or in stone on demand, price to be calculated. The above measurements refer to the Cristalplant® biobased version, for the marble version the measurements are: Height: 160; Weight: 40 kg - 88 lbs Packaging: 57 x 57 x 23 cm - 22" 7/16 x 22" 7/16 x 9" 1/16 Gross weight: 50 kg - 110 lbs

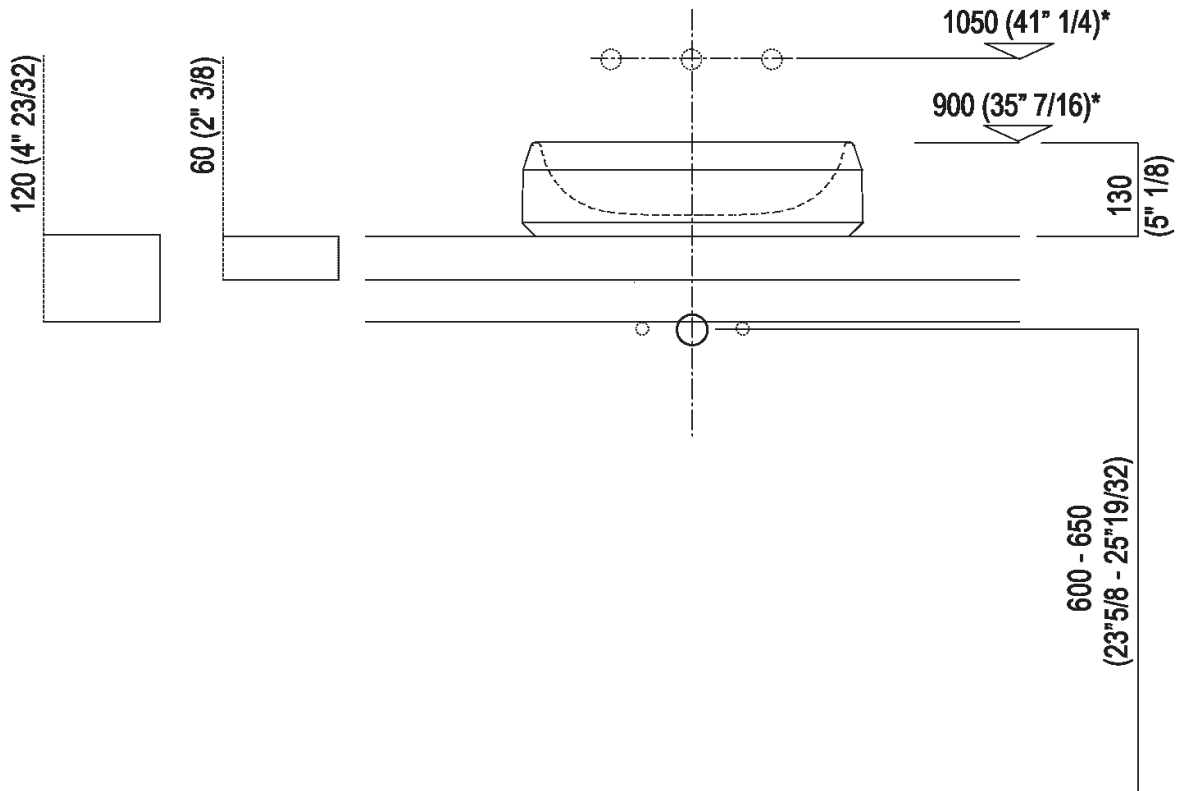


Main dimensions - Cristalplant® biobased





Installation notes: on self-bearing countertop

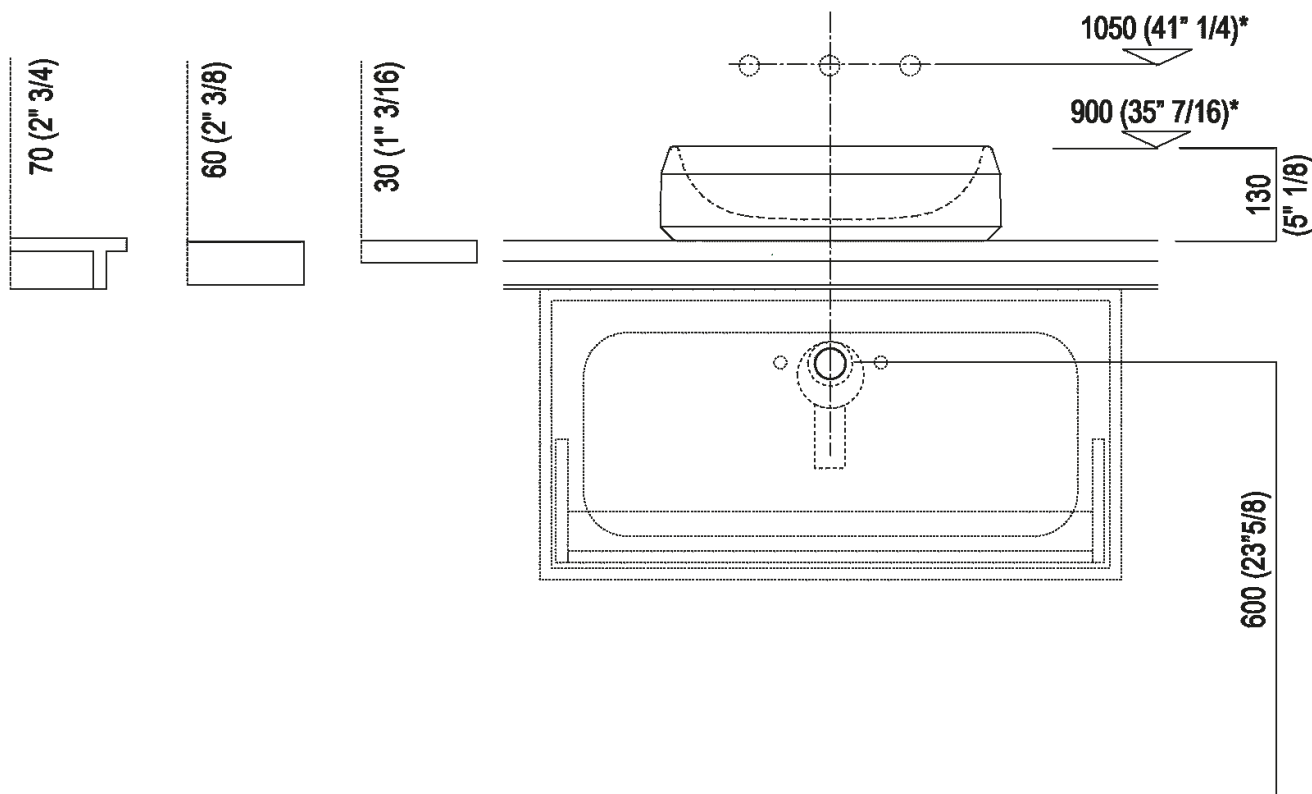


Scarico per sifone a bottiglia
Drain for bottle trap

***h.consigliata / advised h.**



Installation notes: on countertop to be rested on cabinets

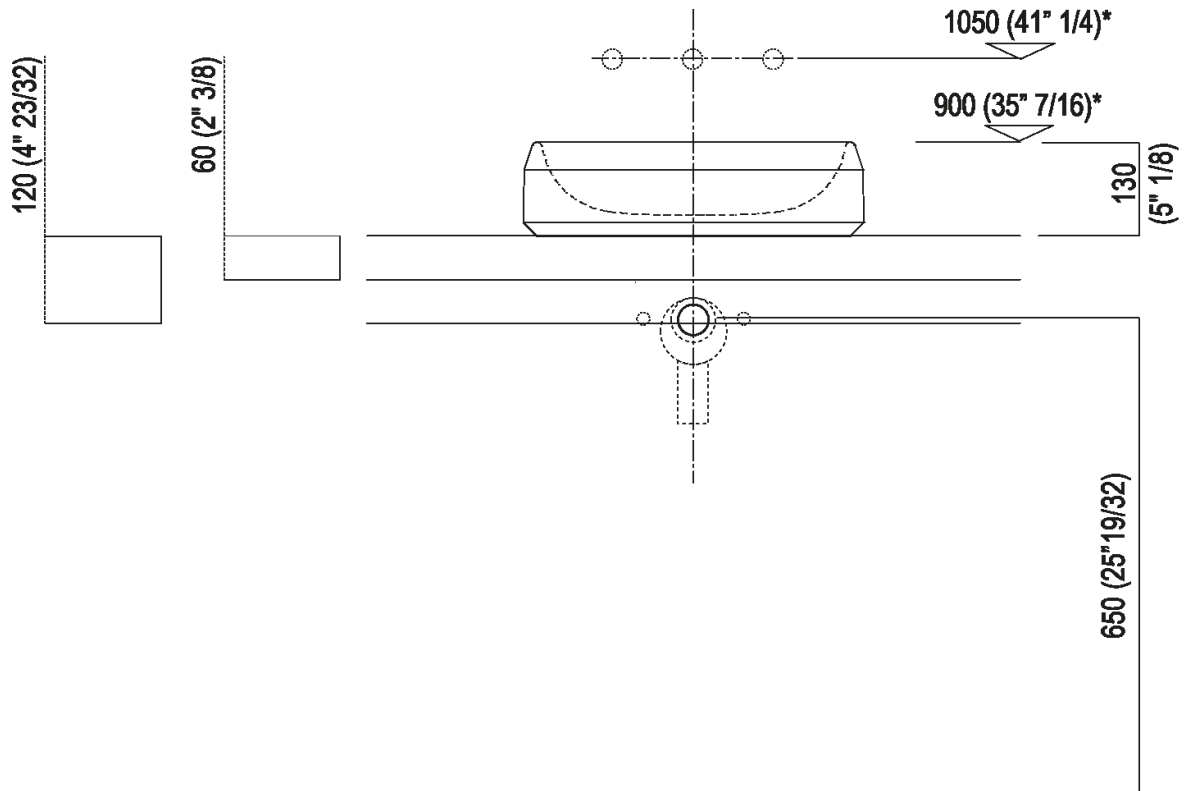


Scarico per sifone a bottiglia e ad incasso
Drain for bottle trap and concealed waste trap

*h.consigliata / advised h.



Installation notes: on self-bearing countertop



Scarico per sifone ad incasso
Drain for concealed waste trap

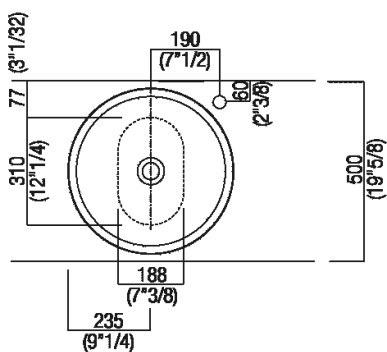
*h.consigliata / advised h.



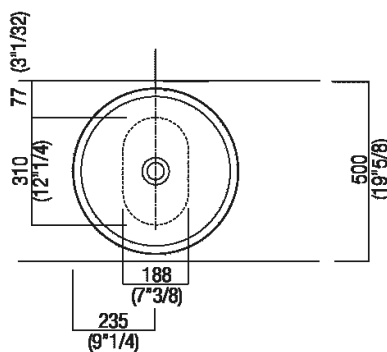
Holes for countertop washbasins and top mounted taps for top

PIANO cm 50 / COUNTERTOP cm 50

Posizione standard per rubinetto su piano
Standard position for top mounted tap



Posizione standard per rubinetto a parete
Standard position for wall mounted tap

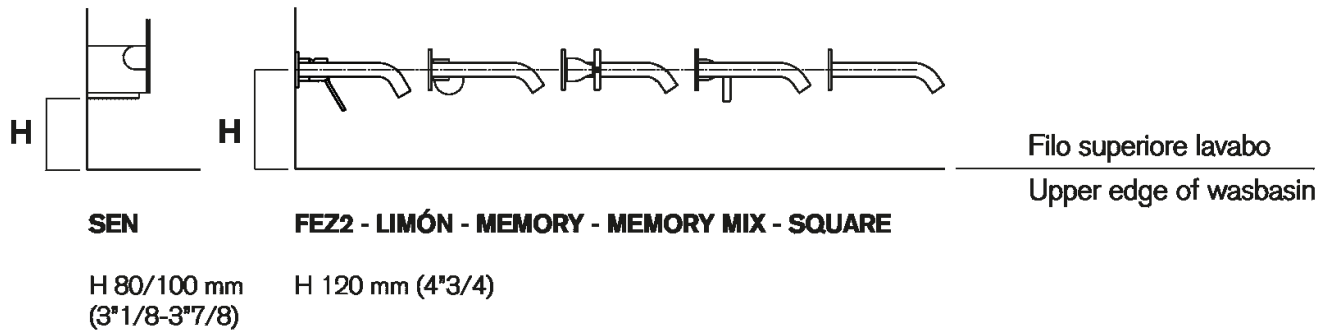


Posizione speciale per rubinetto Sen a parete e Square con bocca curva
Special position for wall mounted tap Sen and Square white curved spout

NON NECESSARIA
NOT NECESSARY

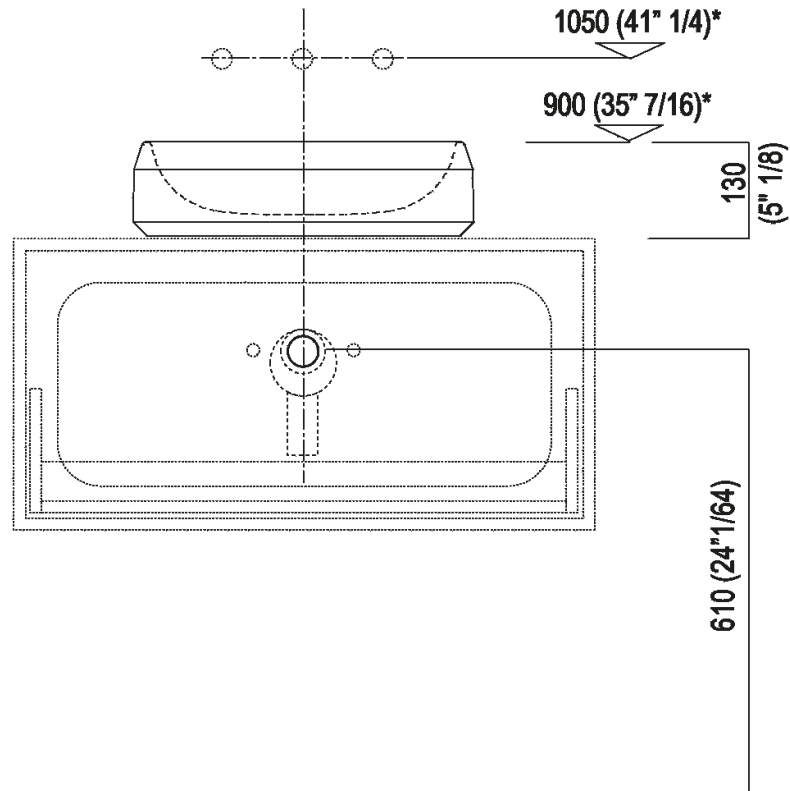


Tap position, recommended height





Installation notes: on casing H 40 cm Lato

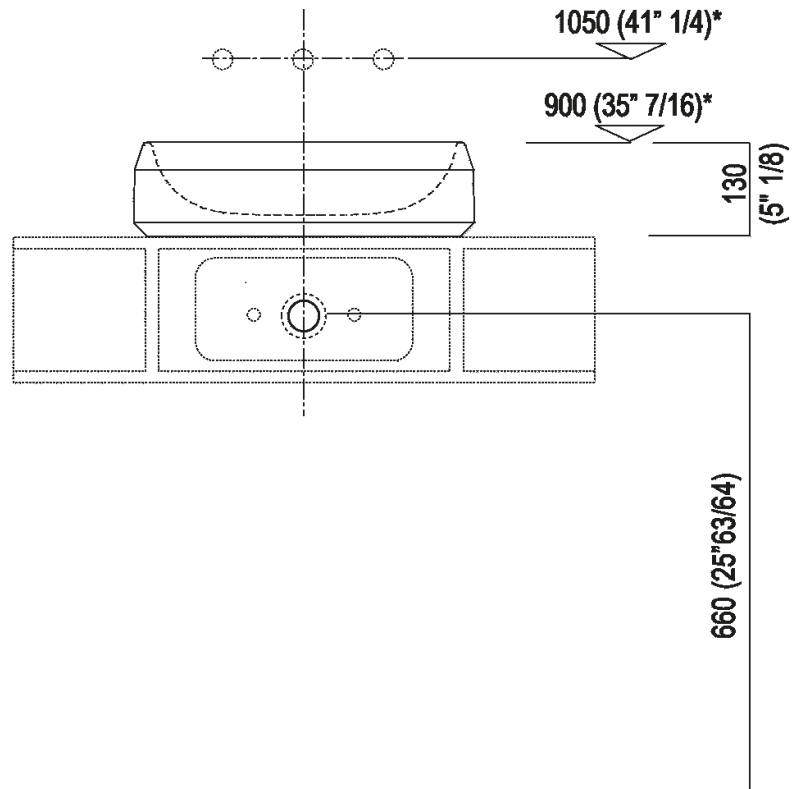


Scarico per sifone a bottiglia o ad incasso
Drain for bottle trap or concealed waste trap

***h.consigliata / advised h.**



Installation notes: on casing H 20 cm Lato



Scarico per sifone a bottiglia
Drain for bottle trap

***h.consigliata / advised h.**



Main dimensions - marble

