

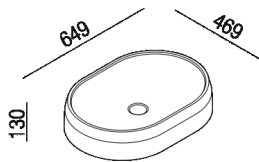


Oval over countertop washbasin

ACER1074_



Patricia Urquiola, 2017

Over countertop washbasin, round or oval, in
 Cristalplant® biobased.



Oval over countertop basin in Cristalplant® biobased, either in white or two colours with a grey soft touch exterior (light RAL7044 or dark RAL7021) or Pine green (RAL6028). Also available in white Carrara marble, grey Carnico marble, black Marquina marble, green Alpi marble, dark Emperador marble or Petit Granit. The basin includes the waste fitting with plug in a matching finish.

Materials

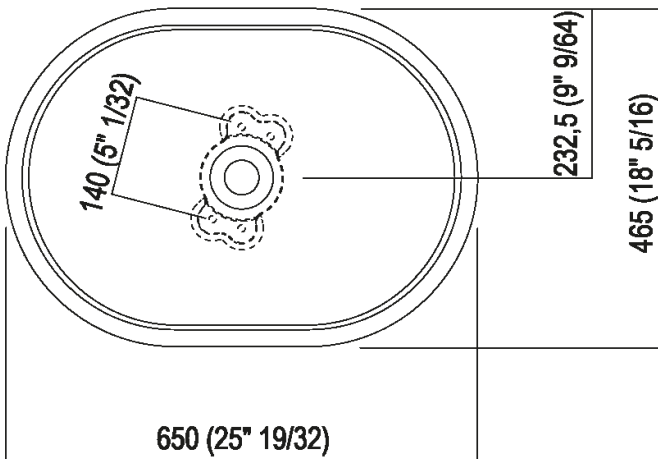
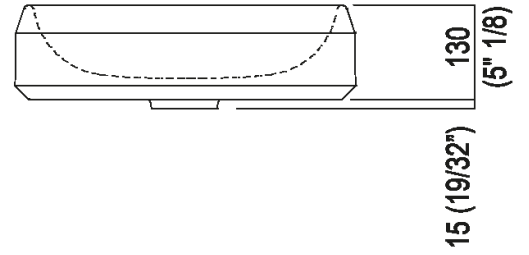
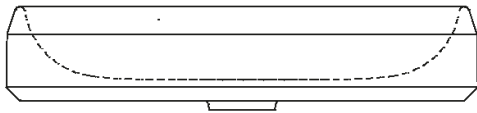
-  Cristalplant® biobased
-  Marble

Height:	13 cm	5" 1/8 inches
Width:	64.9 cm	25" 35/64 inches
Weight:	16 kg	35 lbs
Depth:	46.9 cm	18" 15/32 inches
Packaging:	71 x 53 x 23 cm	27" 61/64 x 2" 55/64 x 9" 1/16 inches
Total weight:	20 kg	44 lbs

Note: The washbasins can be delivered also in Calacatta Vagli and violet Calacatta marble or in stone on demand, price to be calculated. •The above measurements refer to the Cristalplant® biobased version, for the marble version the measurements are: • • Weight: 43 kg - 95 lbs • Packaging: 71 x 53 x 23 cm - 27" 61/64 x 2" 55/64 x 9" 1/16 • Gross weight: 53 kg - 115 lbs

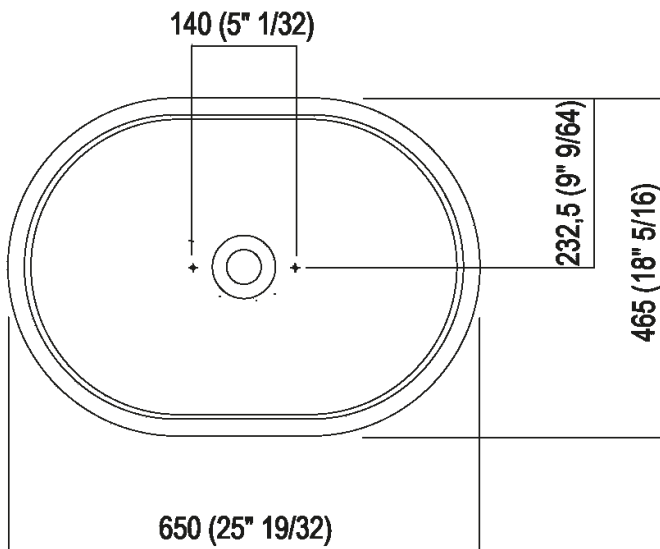
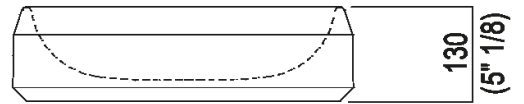
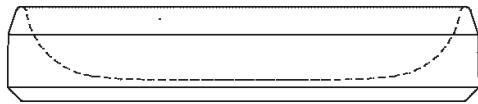


Main dimensions - Cristalplant® biobased



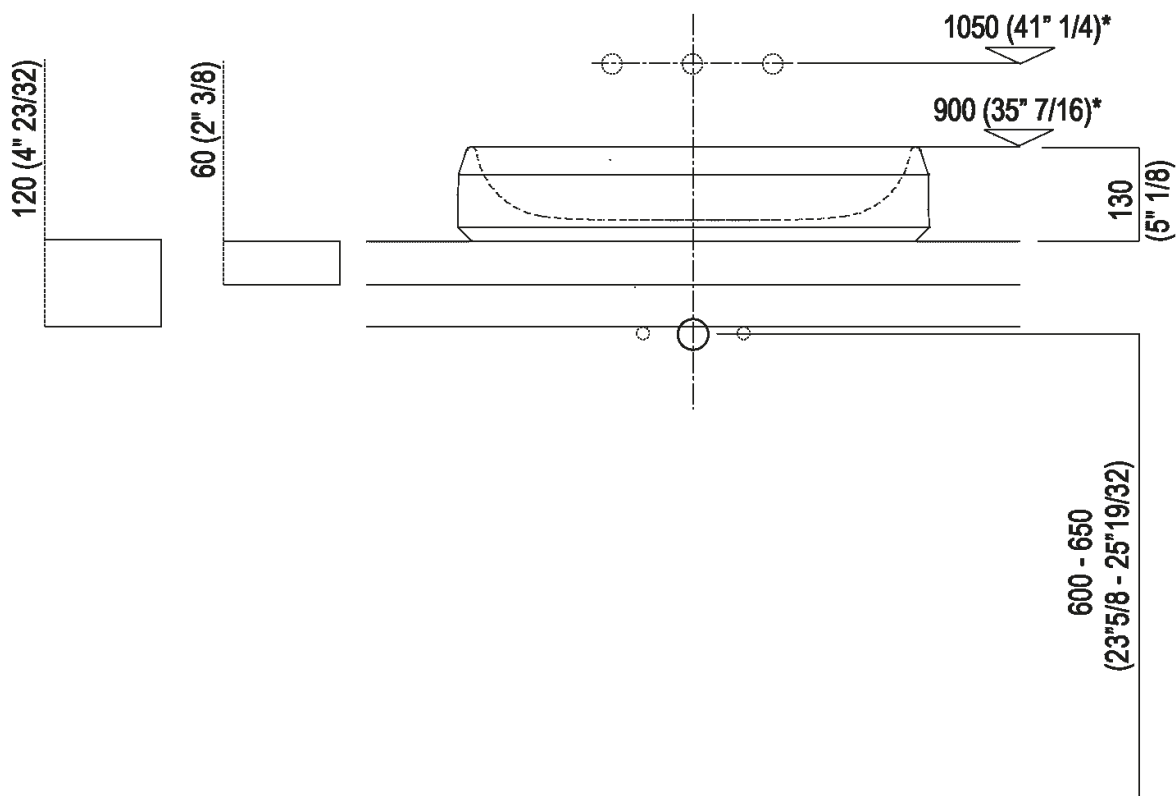


Main dimensions - marble





Installation notes: on self-bearing countertop

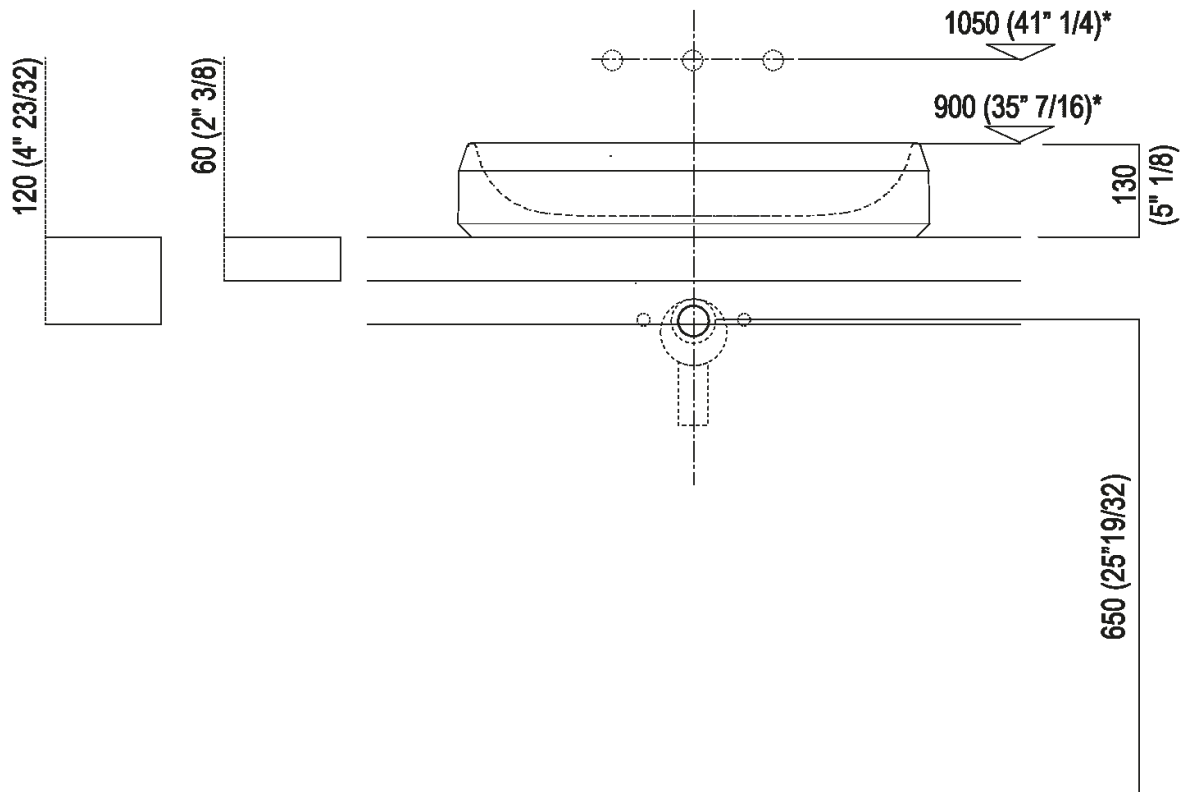


Scarico per sifone a bottiglia
Drain for bottle trap

*h.consigliata / advised h.



Installation notes: on self-bearing countertop

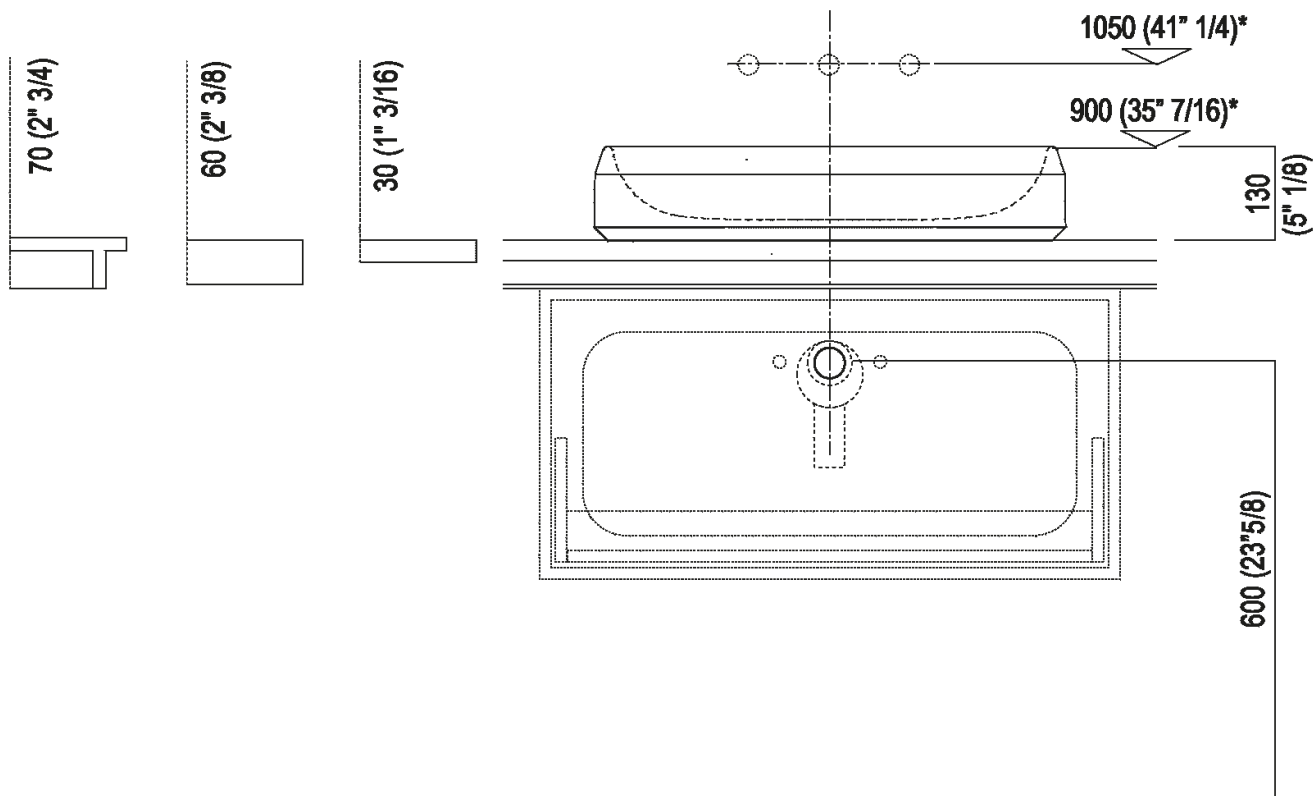


Scarico per sifone ad incasso
Drain for concealed waste trap

*h.consigliata / advised h.



Installation notes: on countertop to be resede on cabinets

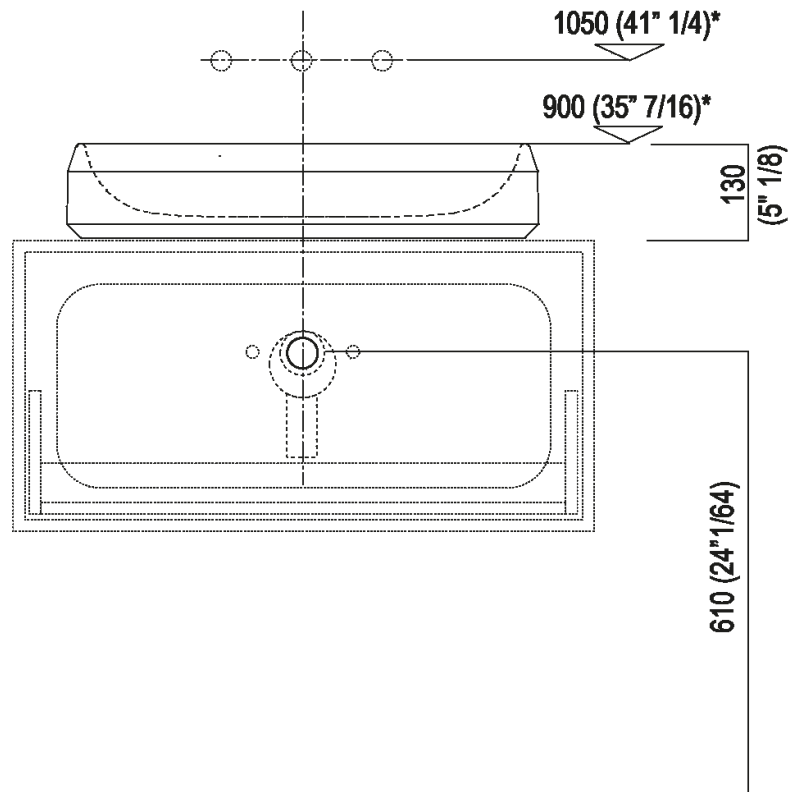


Scarico per sifone a bottiglia e ad incasso
Drain for bottle trap and concealed waste trap

*h.consigliata / advised h.



Installation notes: on casing H 40 cm Lato

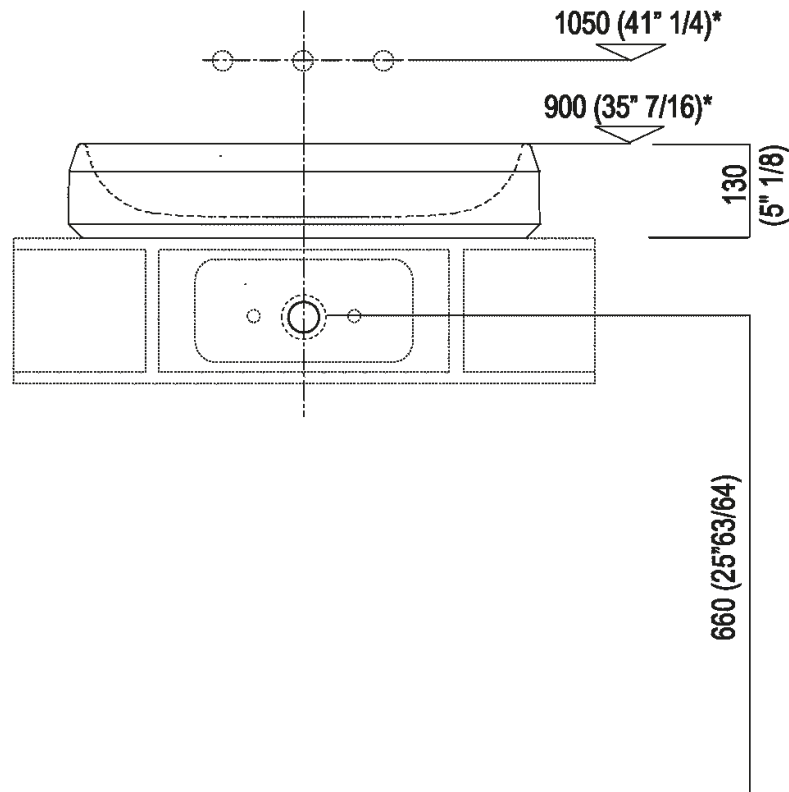


Scarico per sifone a bottiglia o ad incasso
Drain for bottle trap or concealed waste trap

*h.consigliata / advised h.



Installation notes: on casing H 20 cm Lato



Scarico per sifone a bottiglia
Drain for bottle trap

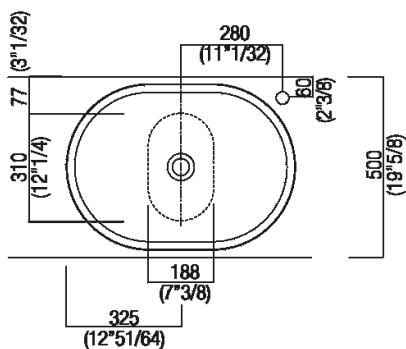
***h.consigliata / advised h.**



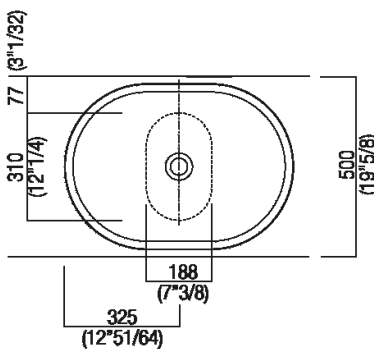
Holes for countertop washbasins and top mounted taps for top

PIANO cm 50 / COUNTERTOP cm 50

Posizione standard per rubinetto su piano
 Standard position for top mounted tap



Posizione standard per rubinetto a parete
 Standard position for wall mounted tap



Posizione speciale per rubinetto Sen a parete e Square con bocca curva
 Special position for wall mounted tap Sen and Square white curved spout

NON NECESSARIA
 NOT NECESSARY



Tap position, recommended height

