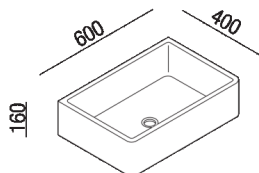




Over countertop washbasin  
 ACER0730P\_

Benedini Associati, 1999

Over countertop washbasin in white Carrara  
 marble.



**Finishes**

-  White Carrara
-  Black Marquina
-  Grey Carnico
-  Dark Emperador
-  Green Alpi

**Materials**

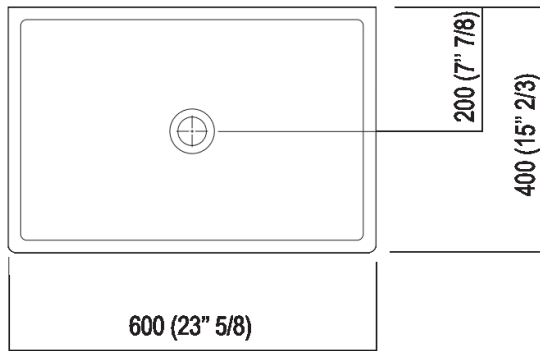
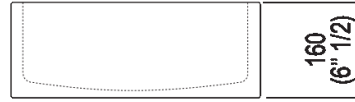
-  Marble

Rectangular over countertop washbasin in white Carrara marble, grey carnico marble, black Marquina marble, green Alpi marble or Emperador dark marble, without overflow. Designed for waste .MET0563.

Height:	16 cm	6" 1/4 inches
Width:	60 cm	23" 5/8 inches
Weight:	33 kg	73 lbs
Depth:	40 cm	15" 3/4 inches
Packaging:	70 x 48 x 28 cm	27" 4/8 x 18" 7/8 x 11" inches
Total weight:	39 kg	86 lbs

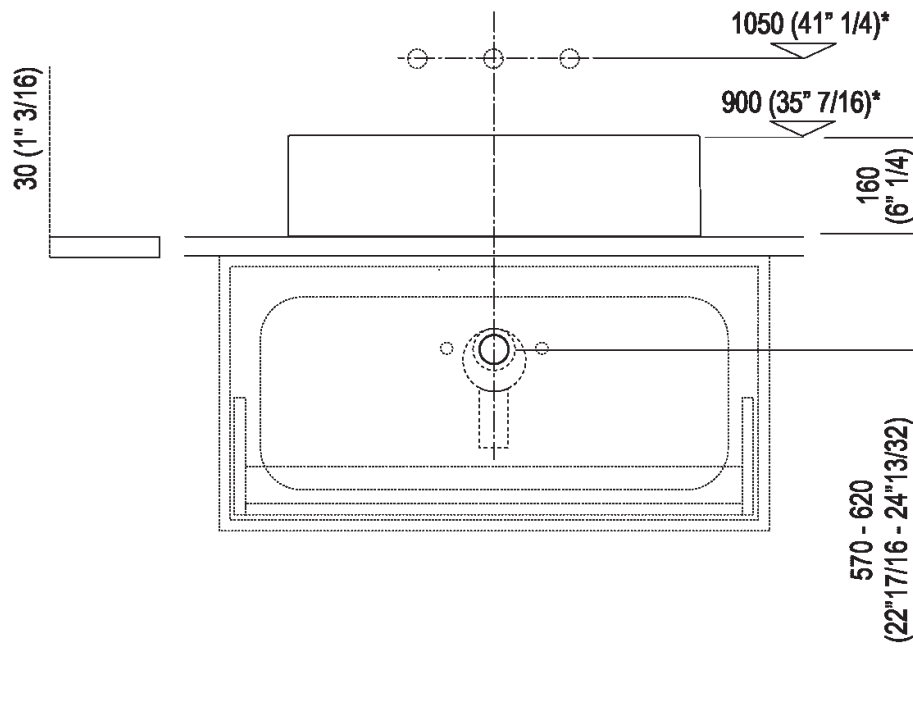


Main dimensions





Installation notes: countertop to be rested on cabinet with thickness cm 3 (1"3/16)



**Scarico per sifone a bottiglia e ad incasso**  
**Drain for bottle trap and concealed waste trap**

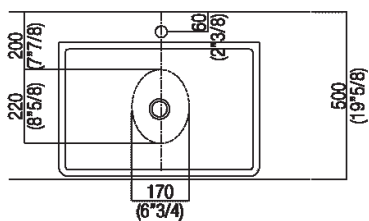
\*h.consigliata / advised h.



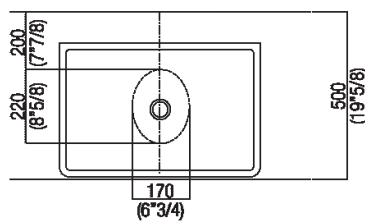
Holes for countertop washbasins and top mounted taps for top

**PIANO cm 50 / COUNTERTOP cm 50**

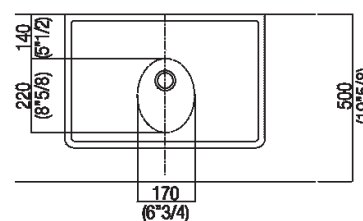
**Posizione standard per rubinetto su piano**  
**Standard position for top mounted tap**



**Posizione standard per rubinetto a parete**  
**Standard position for wall mounted tap**

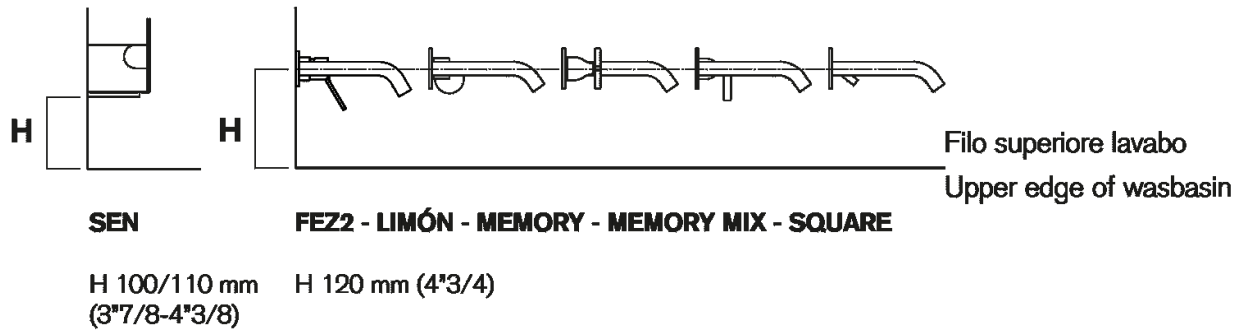


**Posizione speciale per rubinetto Sen a parete e Square con bocca curva**  
**Special position for wall mounted tap**  
**Sen and Square white curved spout**



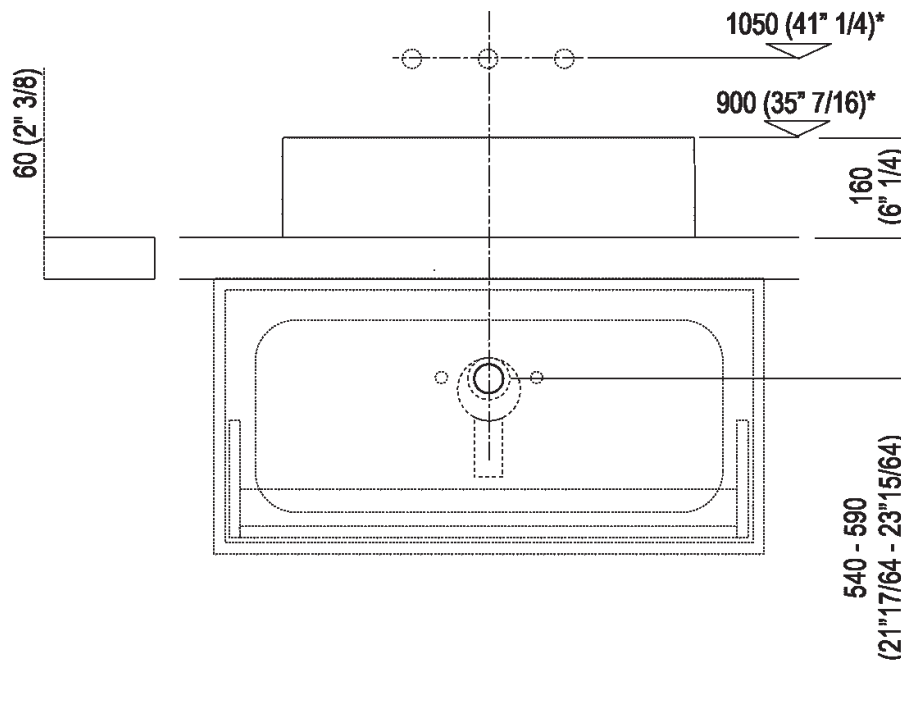


Tap position, recommended height





Installation notes: countertop to be rested on cabinet with thickness cm 6 (2"3/8)

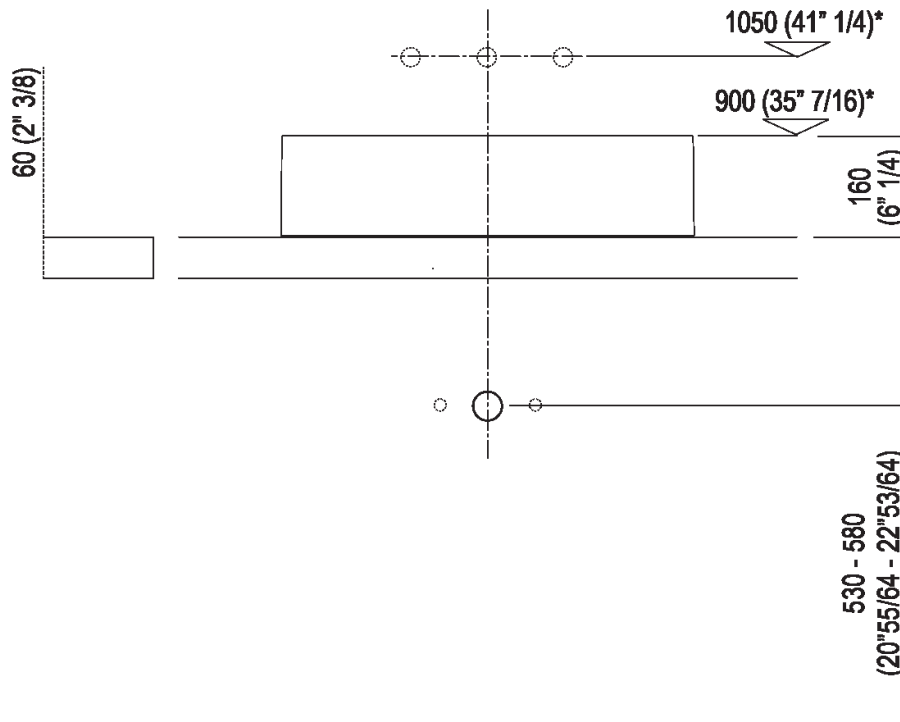


**Scarico per sifone a bottiglia e ad incasso**  
**Drain for bottle trap and concealed waste trap**

\*h.consigliata / advised h.



Installation notes: countertop with concealed wall  
 fixings/freestanding with thickness cm 6 (2"3/8)

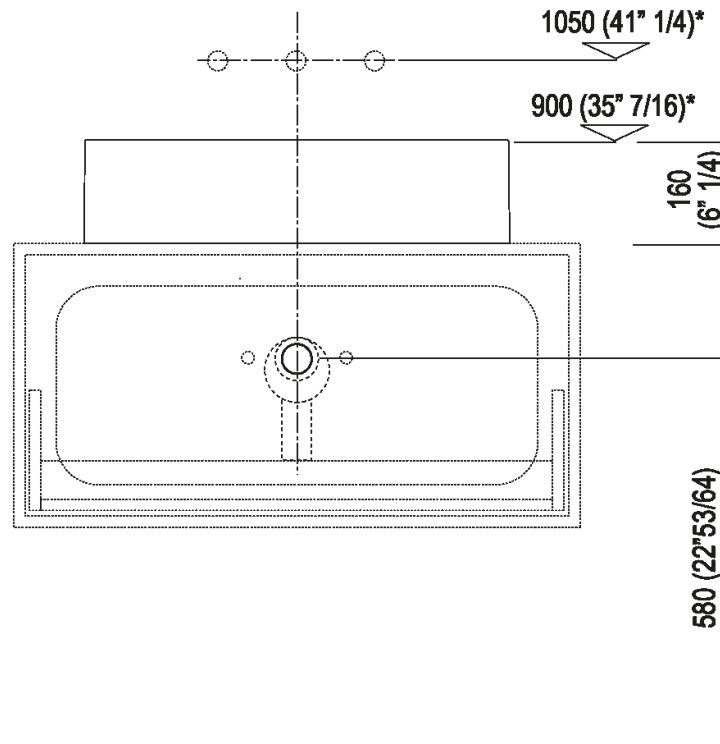


**Scarico per sifone a bottiglia**  
**Drain for bottle trap**

\*h.consigliata / advised h.



Installation notes: on casing H 40 cm Lato



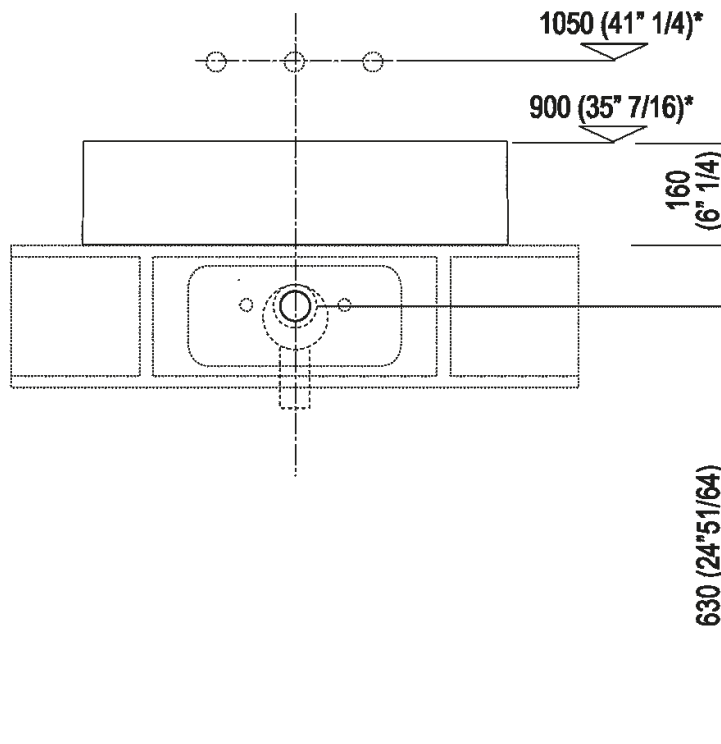
**Scarico per sifone a bottiglia e ad incasso**  
**Drain for bottle trap and concealed waste trap**

**\*h.consigliata / advised h.**





Installation notes: on casing H 20 cm Lato



Scarico per sifone a bottiglia e ad incasso  
Drain for bottle trap and concealed waste trap

\*h.consigliata / advised h.