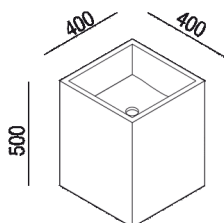




Over countertop washbasin with waste
 ACER0770P_

Benedini Associati, 2003

Cubical over countertop washbasin in
 plywood.



Square over countertop washbasin in waterproof birch plywood with natural, brown, dark oak or in reconstituted wood whit teak finish. Without tap hole and overflow. Designed for waste .MET0563, already mounted on the washbasin and included in the price.

Finishes

-  Natural oak
-  Brown oak
-  Dark oak
-  Reconstituted with teak finish

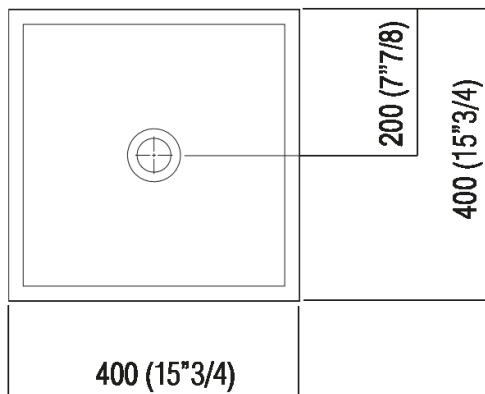
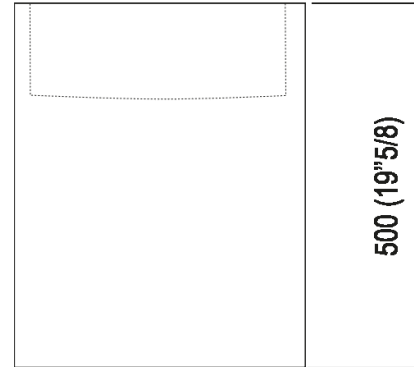
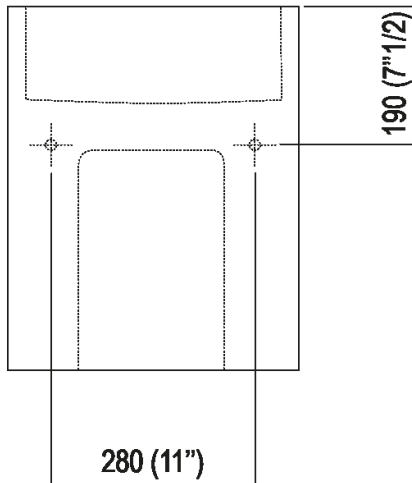
Materials

-  Wood

| | | |
|---------------|-----------------|--------------------------------|
| Height: | 50 cm | 19" 5/8 inches |
| Width: | 40 cm | 15" 3/4 inches |
| Weight: | 15 kg | 33 lbs |
| Depth: | 40 cm | 15" 3/4 inches |
| Packaging: | 47 x 44 x 66 cm | 18" 4/8 x 17" 3/8 x 26" inches |
| Total weight: | 17 kg | 37 lbs |

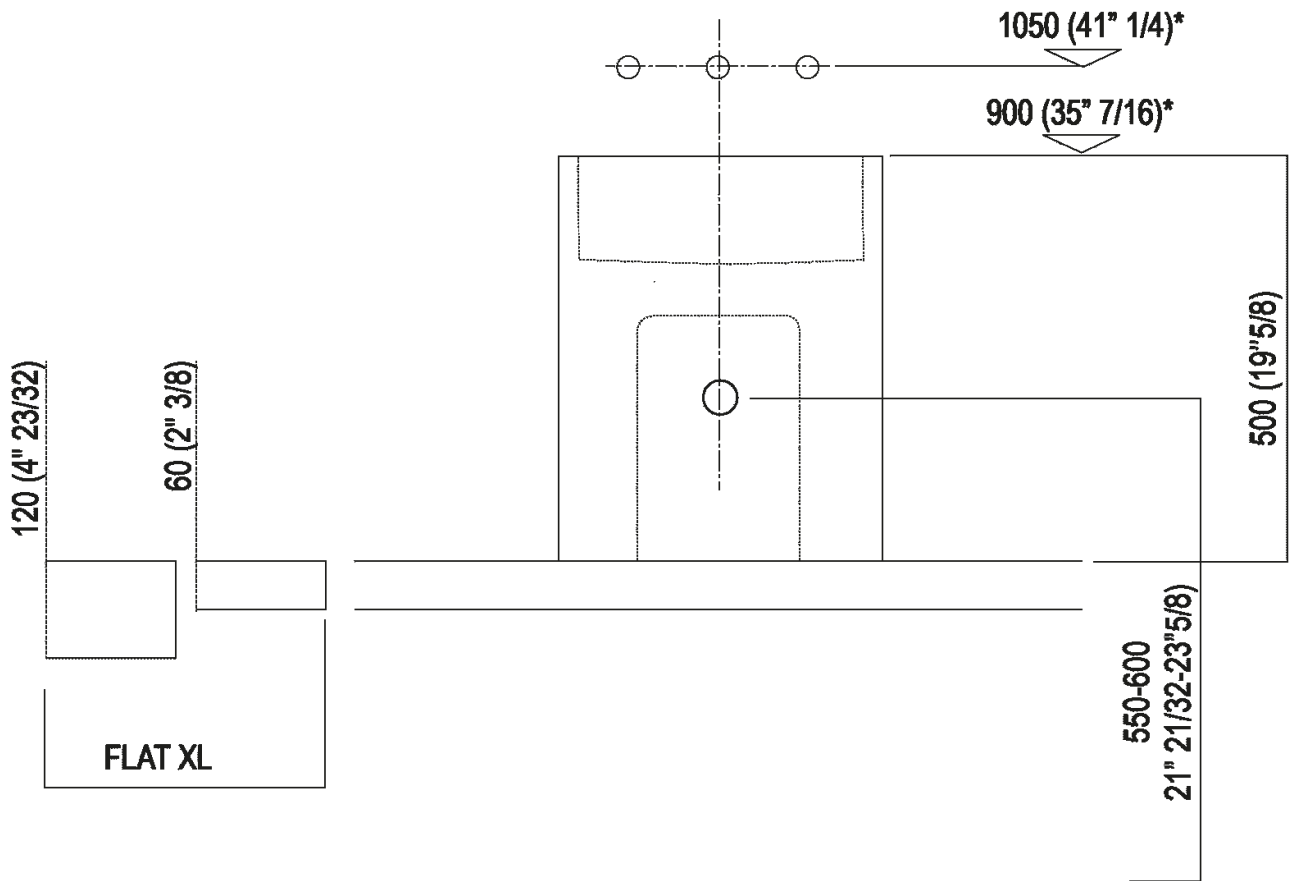


Main dimensions





Installation notes



***h.consigliata / advised h.**



Holes for countertop washbasins and top mounted taps for top

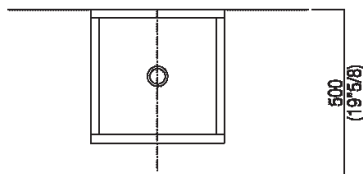
PIANO cm 50 / COUNTERTOP cm 50

Posizione standard per rubinetto su piano
Standard position for top mounted tap

Posizione standard per rubinetto a parete
Standard position for wall mounted tap

Posizione speciale per rubinetto Sen a parete e Square con bocca curva
Special position for wall mounted tap Sen and Square white curved spout

RUBINETTO SU PIANO NON POSSIBILE
TOP MOUNTED TAP NOT POSSIBLE



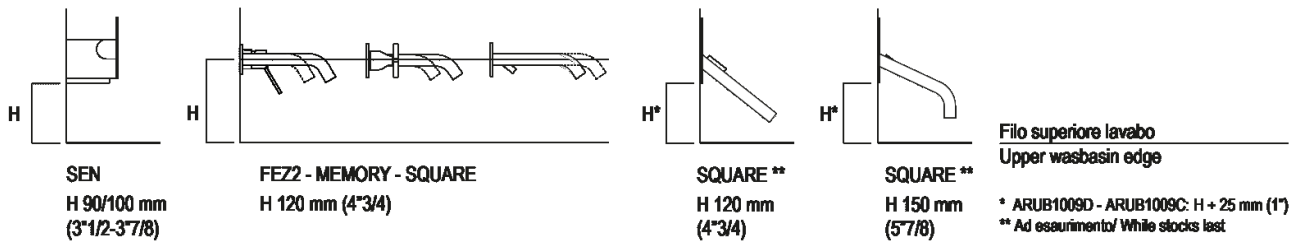
NON NECESSARIA
NOT NECESSARY



Tap position, recommended height

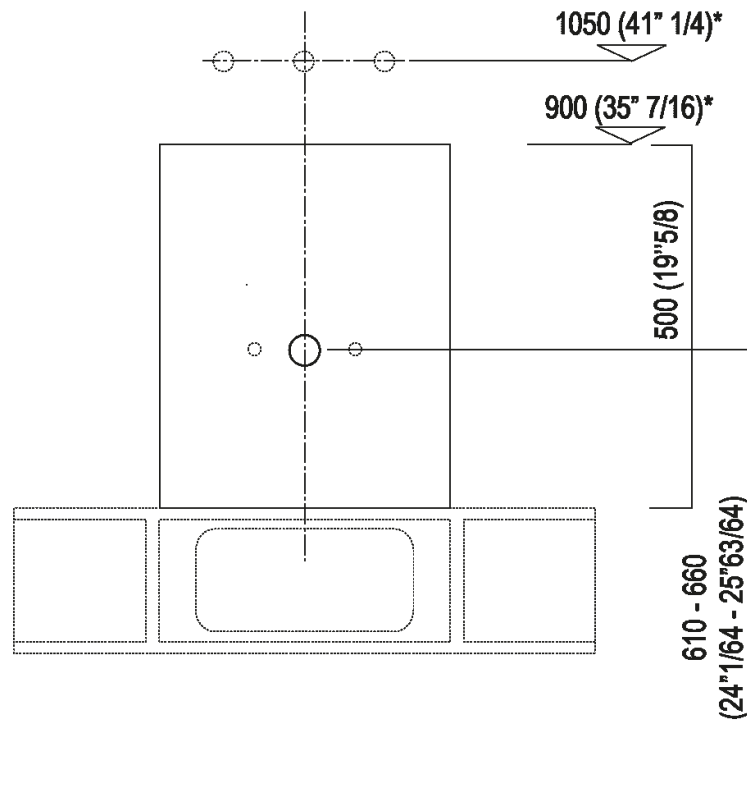
POSIZIONE RUBINETTERIA / TAP POSITION

Altezza consigliata / Recommended height





Installation notes: on casing H 20 cm Lato



Scarico per sifone a bottiglia
Drain for bottle trap

*h.consigliata / advised h.