



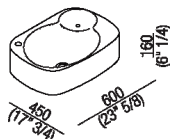
Over countertop washbasin in white
 Cristalplant® biobased with tap hole
 ACER0763PRZ

Andrea Morgante (Shiro Studio) - Shiro
 Studio, 2014

White Cristalplant® biobased and marble
 over countertop washbasin.

Over countertop washbasin in white Cristalplant® biobased with overflow hole in a
 small basin connected with the main basin, which also can be used as a soap holder.
 Version without tap hole. Designed for waste .MET0563. The overflow hole has a
 maximum capacity of 8 l/min, therefore it is advisable to install a waste designed for
 washbasins without overflow.

Height:	16 cm	6" 1/4 inches
Width:	60 cm	23" 5/8 inches
Weight:	13 kg	29 lbs
Depth:	45 cm	17" 3/4 inches
Packaging:	55 x 70 x 25 cm	21" 5/8 x 27" 4/8 x 9" 7/8 inches
Total weight:	16 kg	35 lbs



Finishes



White

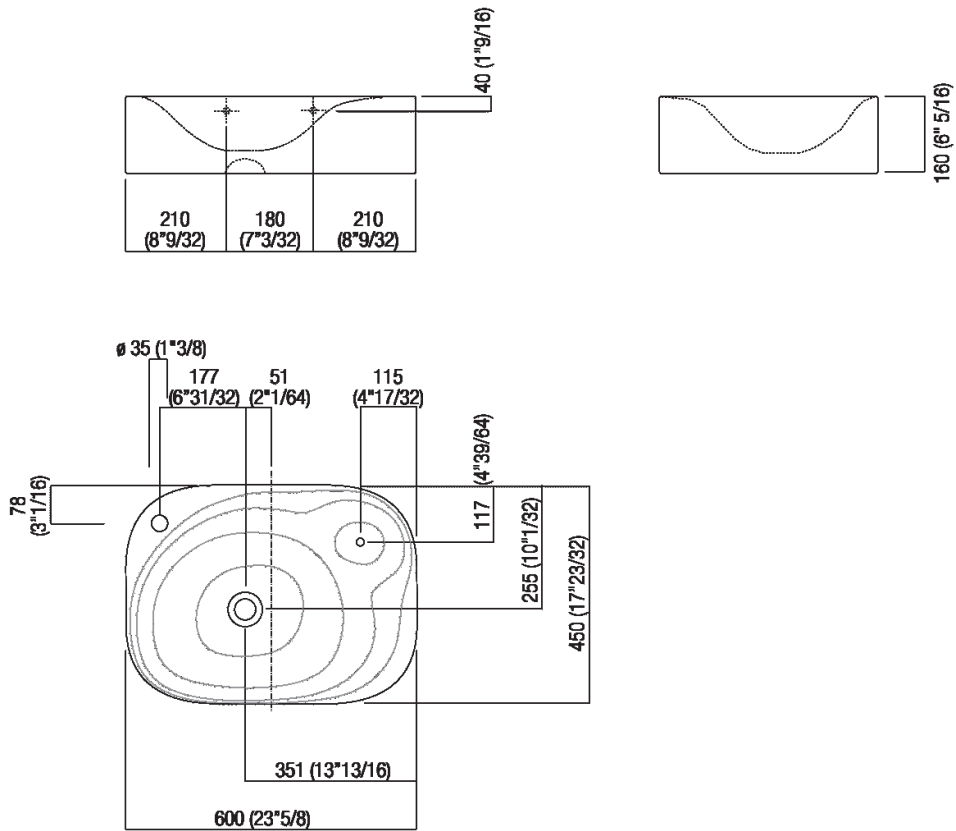
Materials



Cristalplant® biobased

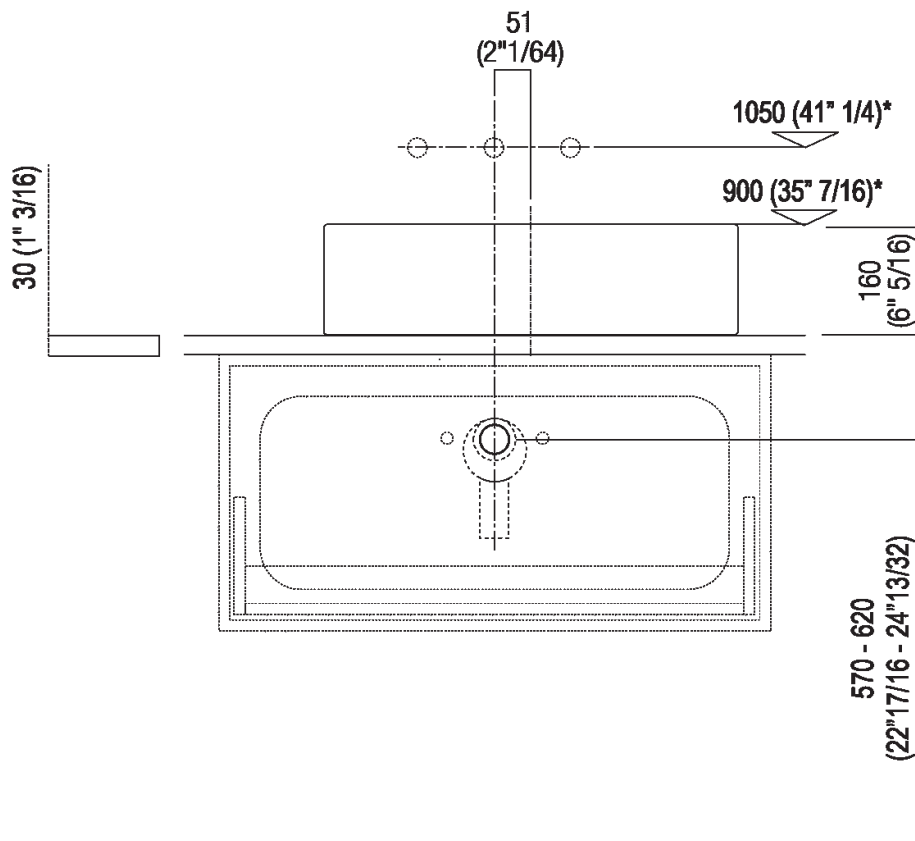


Main dimensions





Installation notes: countertop to be rested on cabinet with thickness cm 3 (1"3/16)

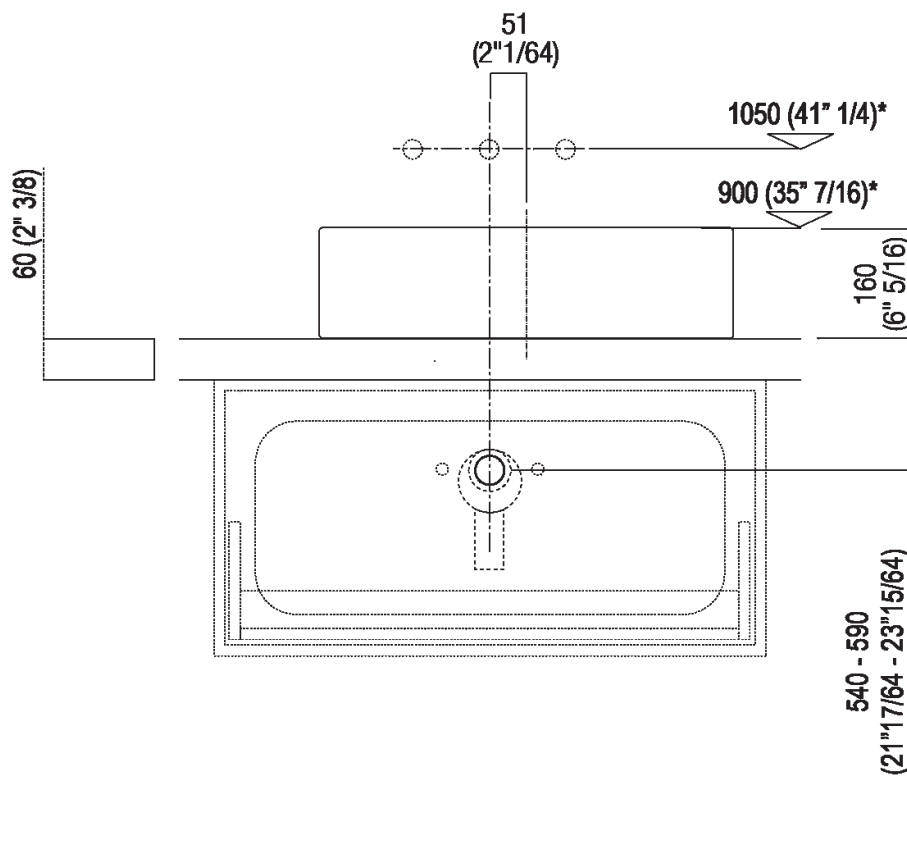


Scarico per sifone a bottiglia e ad incasso
Drain for bottle trap and concealed waste trap

*h.consigliata / advised h.



Installation notes: countertop to be rested on cabinet with thickness cm 6 (2"3/8)

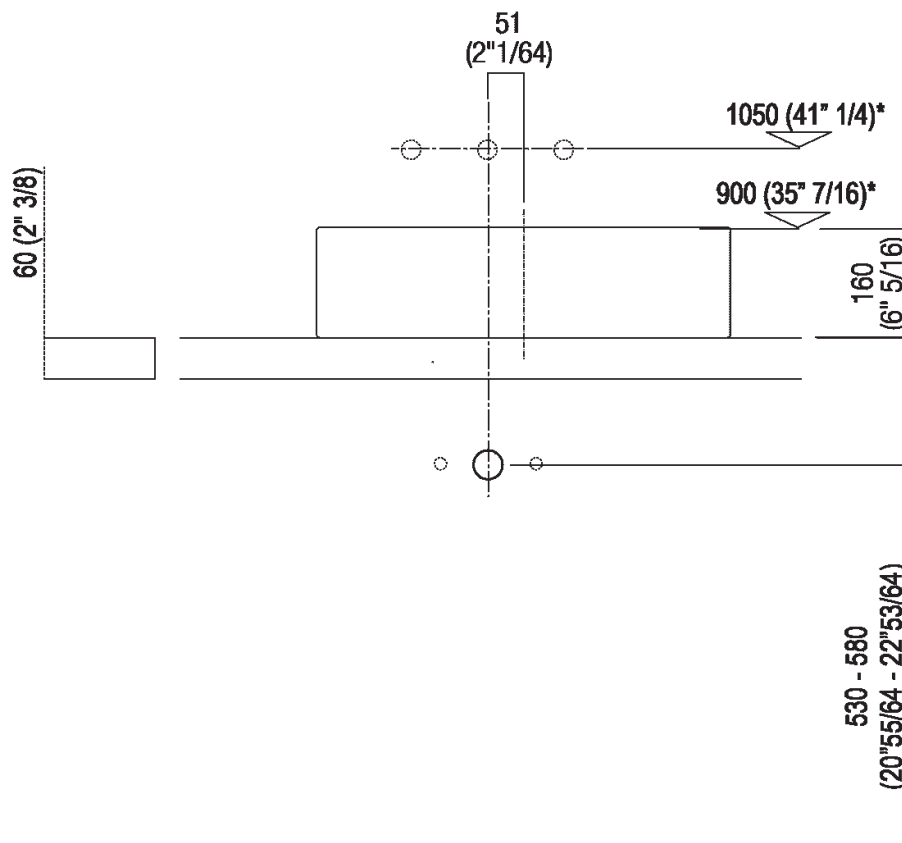


Scarico per sifone a bottiglia e ad incasso
 Drain for bottle trap and concealed waste trap

*h.consigliata / advised h.



Installation notes: countertop with concealed wall
 fixings/freestanding with thickness cm 6 (2"3/8)

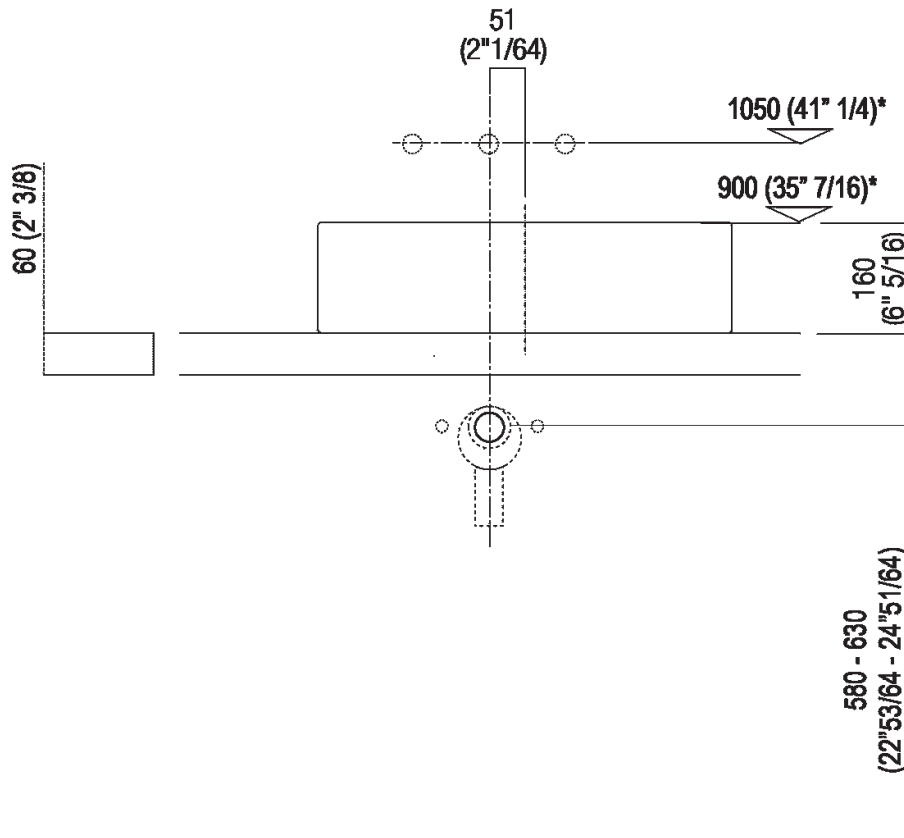


Scarico per sifone a bottiglia
 Drain for bottle trap

*h.consigliata / advised h.



Installation notes: countertop with concealed wall
 fixings/freestanding with thickness cm 6 (2"3/8)

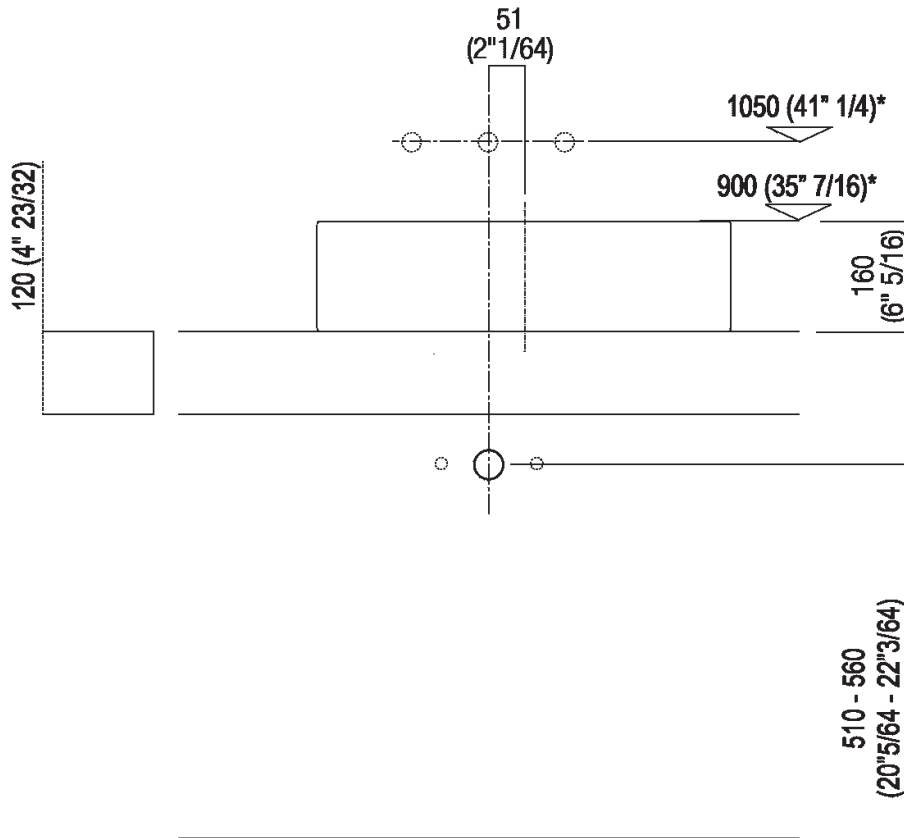


Scarico per sifone ad incasso
Drain for concealed waste trap

*h.consigliata / advised h.



Installation notes: countertop with concealed wall
 fixings/freestanding with thickness cm 12 (4"23/32)

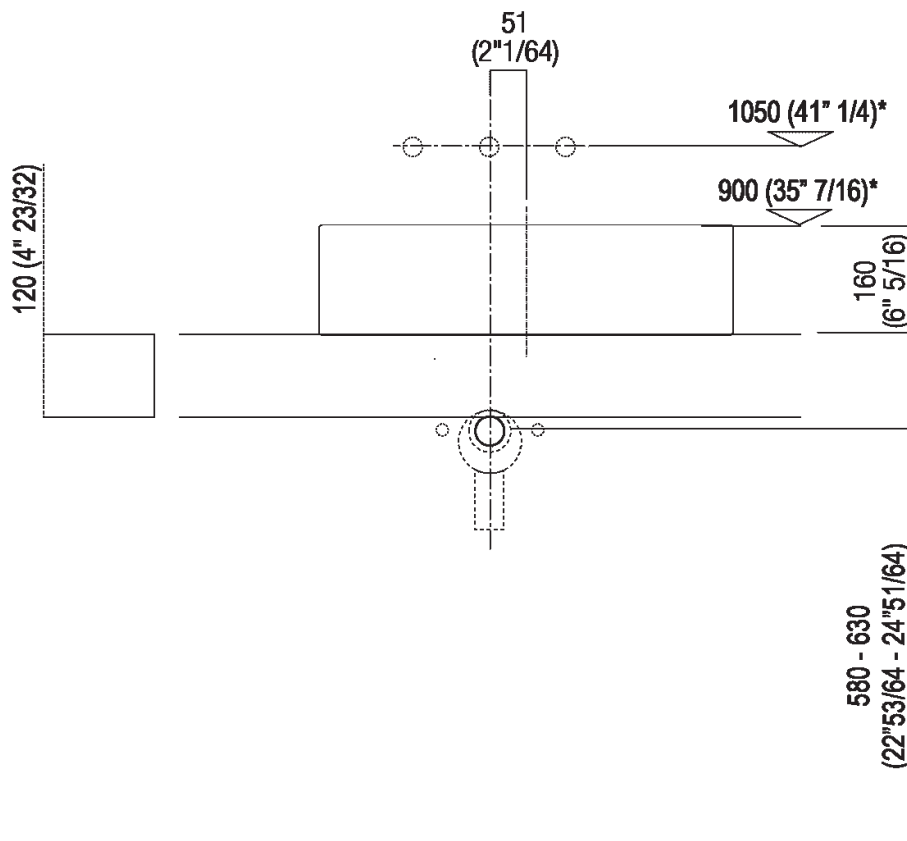


Scarico per sifone a bottiglia
Drain for bottle trap

*h.consigliata / advised h.



Installation notes: countertop with concealed wall
 fixings/freestanding with thickness cm 12 (4"23/32)



Scarico per sifone ad incasso
 Drain for concealed waste trap

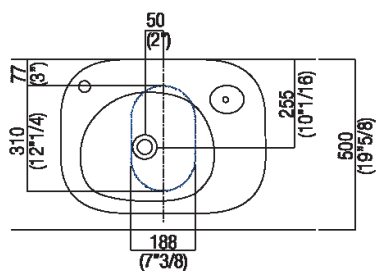
*h.consigliata / advised h.



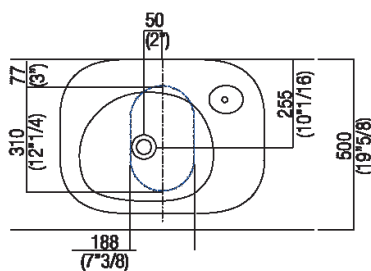
Holes for countertop washbasins and top mounted taps for top

PIANO cm 50 / COUNTERTOP cm 50

Posizione standard per rubinetto su piano
 Standard position for top mounted tap



Posizione standard per rubinetto a parete
 Standard position for wall mounted tap

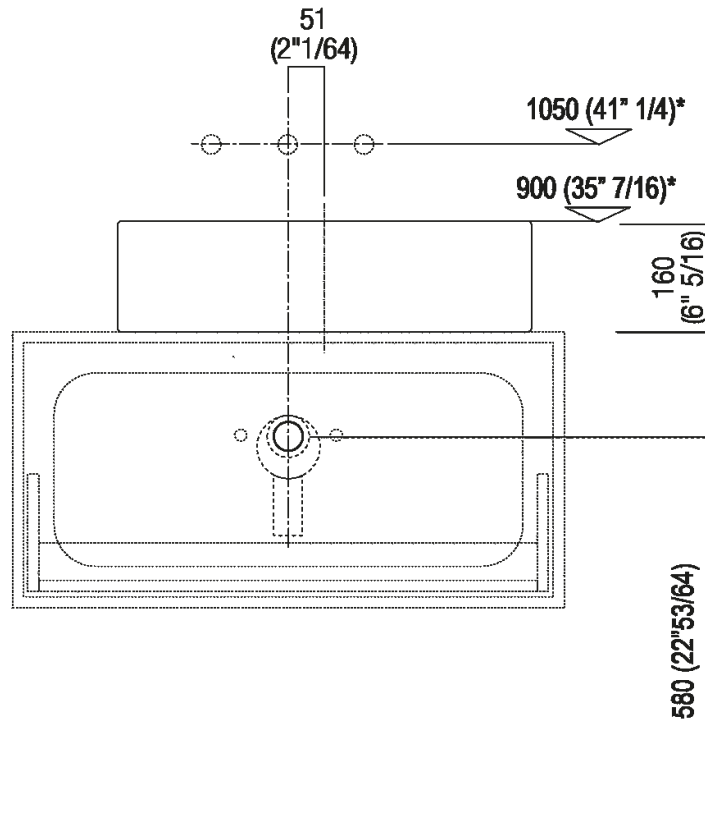


Posizione speciale per rubinetto Sen a parete e Square con bocca curva
 Special position for wall mounted tap Sen and Square white curved spout

NON NECESSARIA
 NOT NECESSARY



Installation notes: on casing H 40 cm Lato

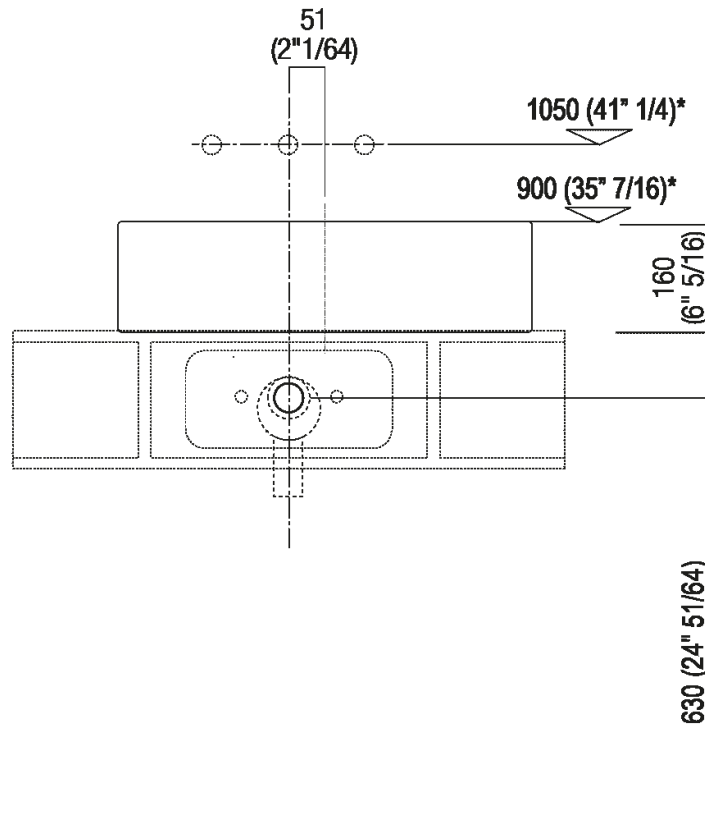


Scarico per sifone a bottiglia e ad incasso
Drain for bottle trap and concealed waste trap

*h.consigliata / advised h.



Installation notes: on casing H 20 cm Lato



Scarico per sifone a bottiglia e ad incasso
Drain for bottle trap and concealed waste trap

*h.consigliata / advised h.