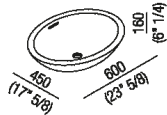




Over countertop washbasin
 ACER0700Z

Benedini Associati, 2002

Oval washbasin in Cristalplant® biobased.



Oval over countertop washbasin made from white Cristalplant® biobased without tap hole, with over flow hole. Designed for waste .MET0346P or .MET0562.

Finishes



White

Materials

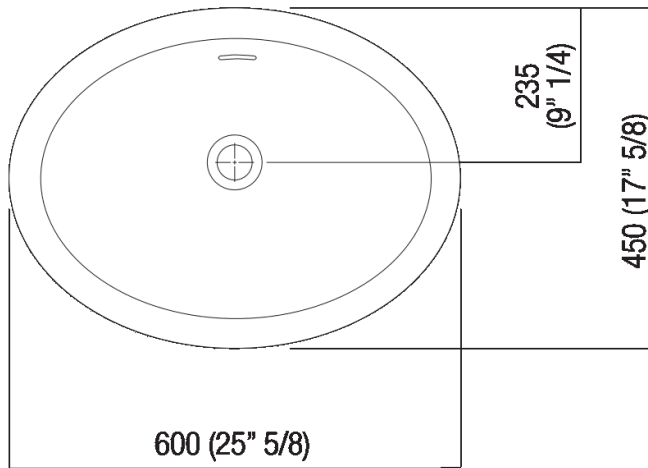
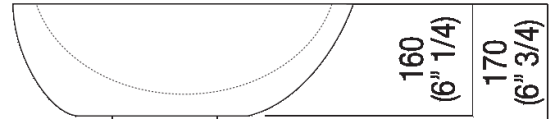
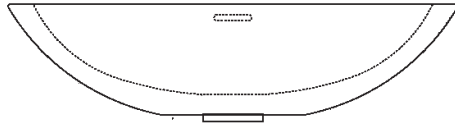


Cristalplant® biobased

Height:	16 cm	6" 1/4 inches
Width:	60 cm	23" 5/8 inches
Weight:	14 kg	31 lbs
Depth:	45 cm	17" 5/8 inches
Capacity:	5 l	1 gal
Packaging:	48 x 62 x 20 cm	18" 7/8 x 24" 3/8 x 7" 7/8 inches
Total weight:	17 kg	37 lbs

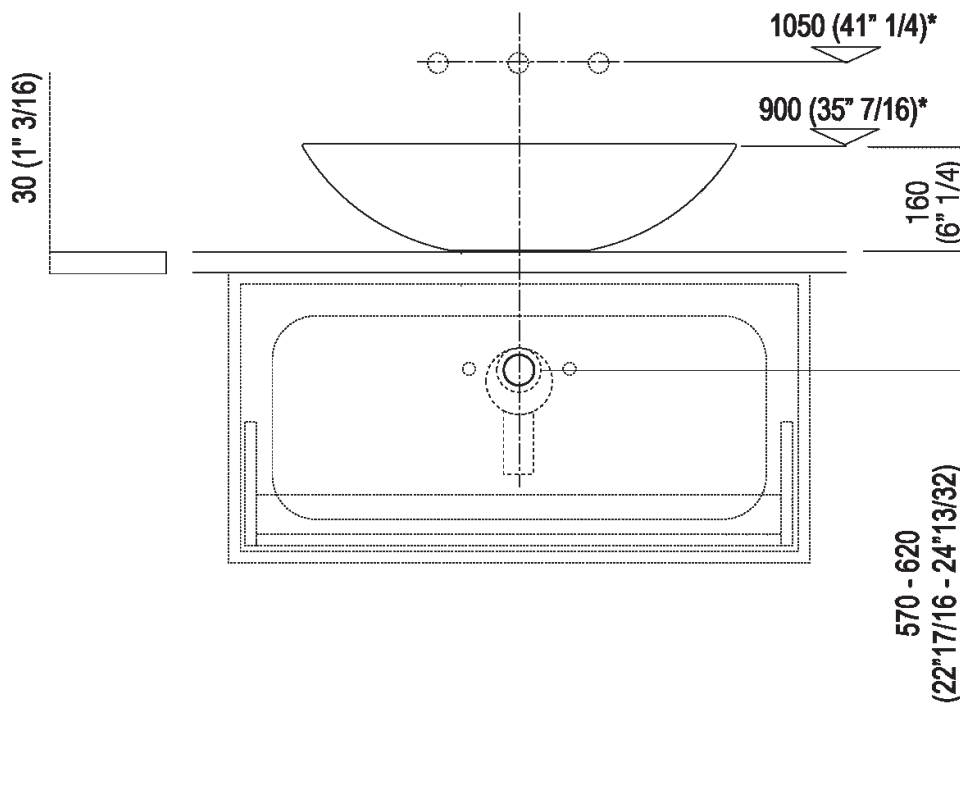


Main dimensions





Installation notes: countertop to be rested on cabinet with thickness cm 3 (1"3/16)

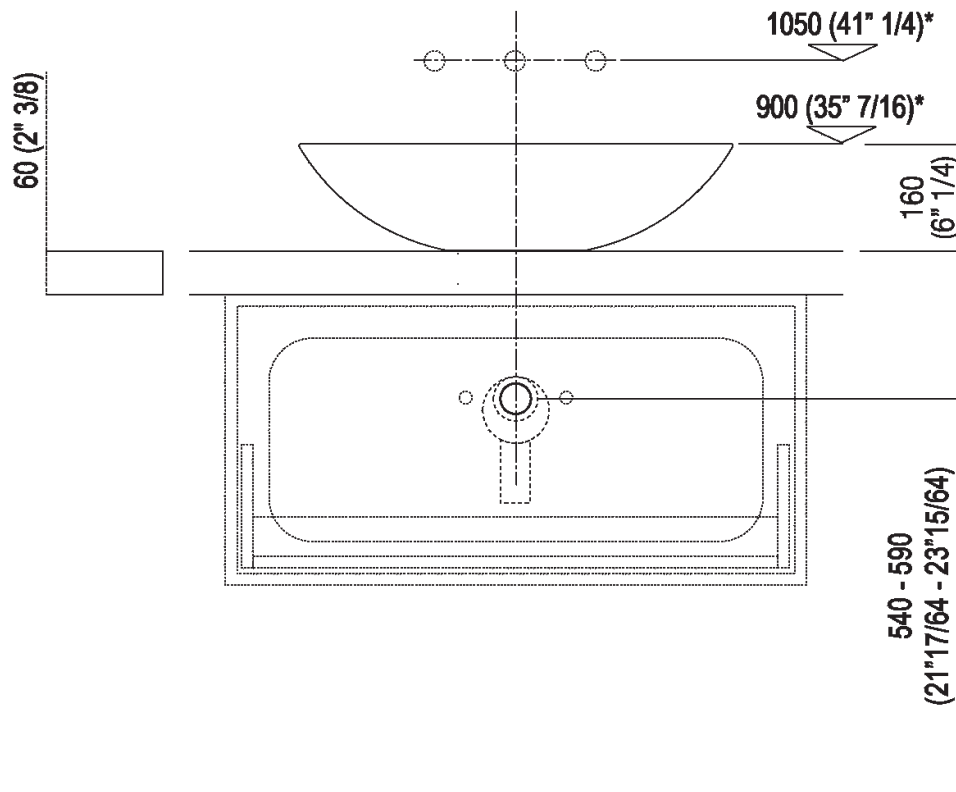


Scarico per sifone a bottiglia e ad incasso
Drain for bottle trap and concealed waste trap

*h.consigliata / advised h.



Installation notes: countertop to be rested on cabinet with thickness cm 6 (2"3/8)

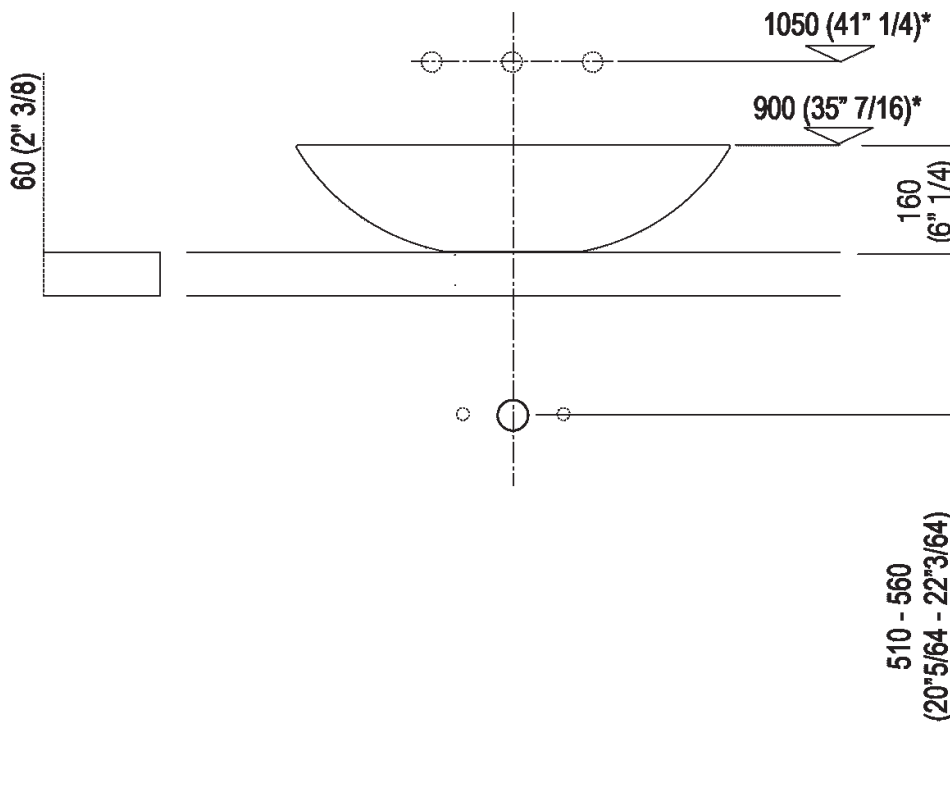


Scarico per sifone a bottiglia e ad incasso
Drain for bottle trap and concealed waste trap

*h.consigliata / advised h.



Installation notes: countertop with concealed wall
 fixings/freestanding with thickness cm 6 (2"3/8)

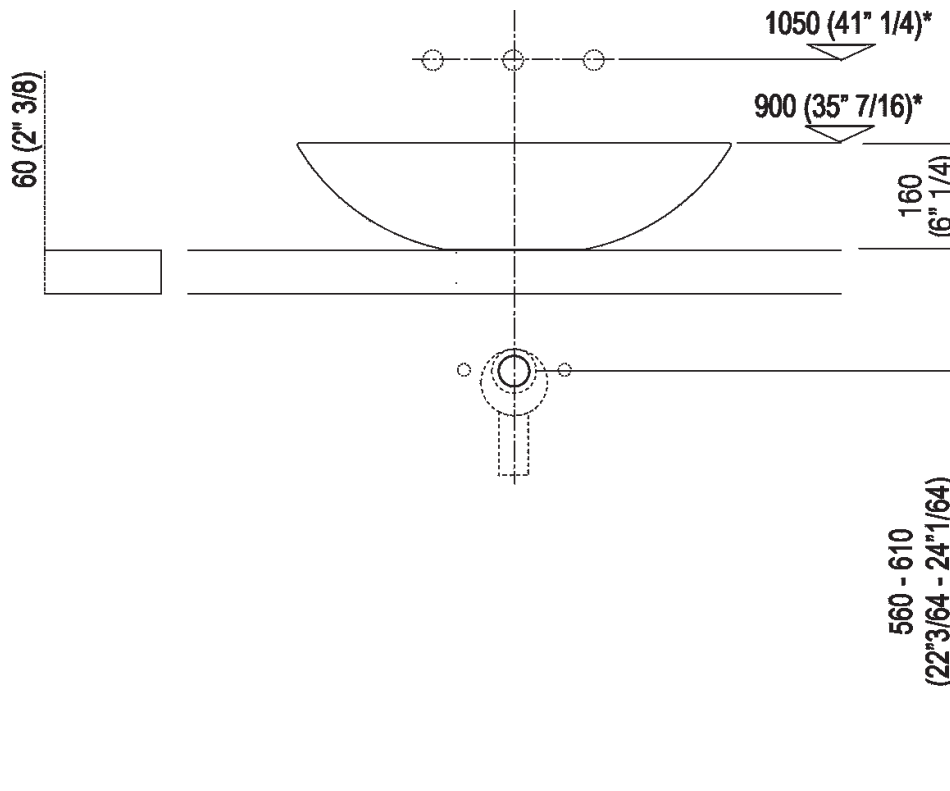


Scarico per sifone a bottiglia
Drain for bottle trap

*h.consigliata / advised h.



Installation notes: countertop with concealed wall
 fixings/freestanding with thickness cm 6 (2"3/8)

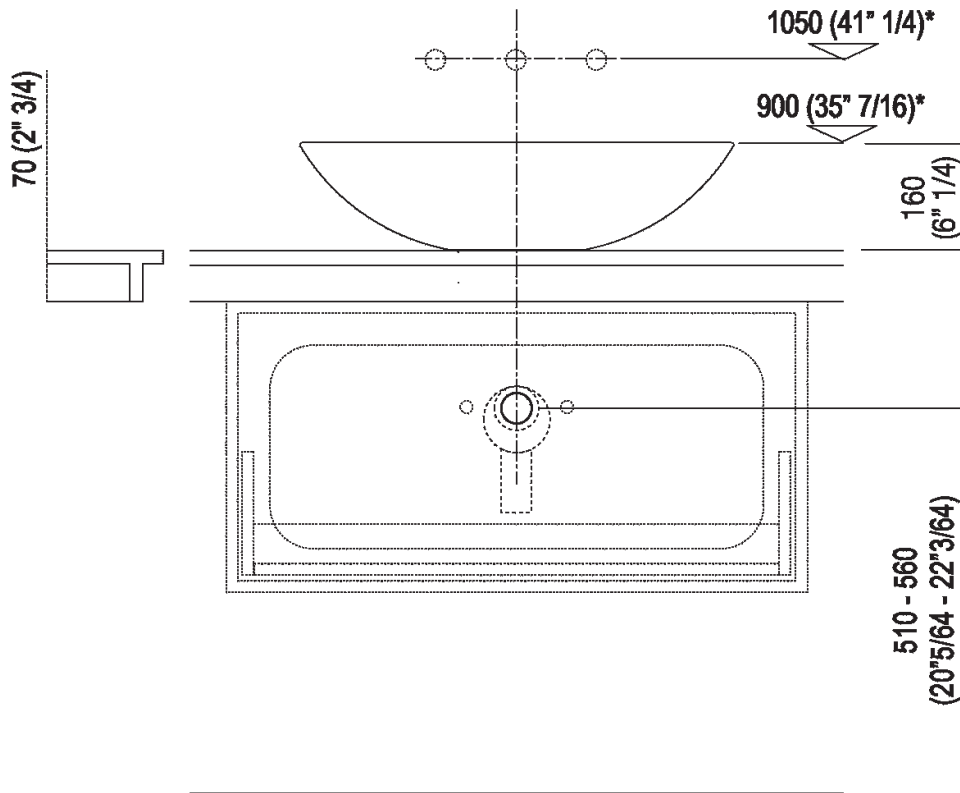


Scarico per sifone ad incasso
Drain for concealed waste trap

*h.consigliata / advised h.



Installation notes: countertop Evoluzione



Scarico per sifone a bottiglia e ad incasso
Drain for bottle trap and concealed waste trap

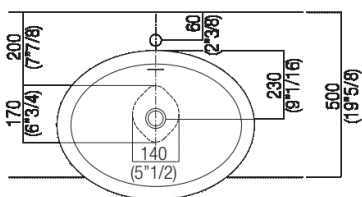
*h.consigliata / advised h.



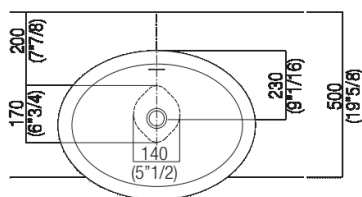
Holes for countertop washbasins and top mounted taps for top

PIANO cm 50 / COUNTERTOP cm 50

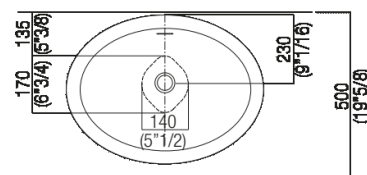
Posizione standard per rubinetto su piano
Standard position for top mounted tap



Posizione standard per rubinetto a parete
Standard position for wall mounted tap

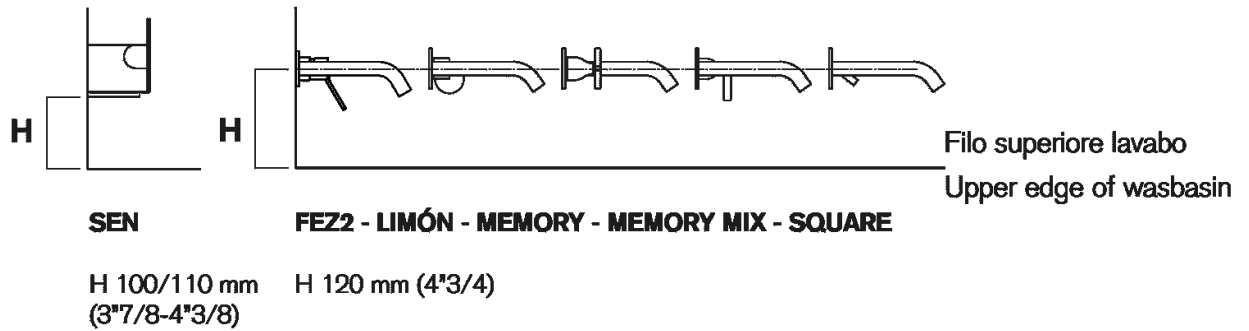


Posizione speciale per rubinetto Sen a parete e Square con bocca curva
Special position for wall mounted tap Sen and Square white curved spout



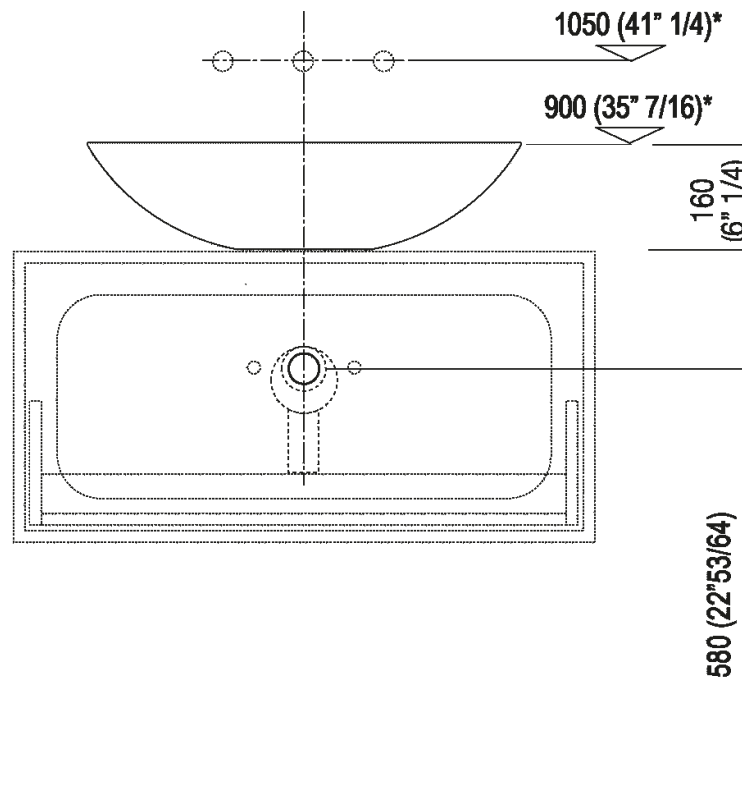


Tap position, recommended height





Installation notes: on casing H 40 cm Lato

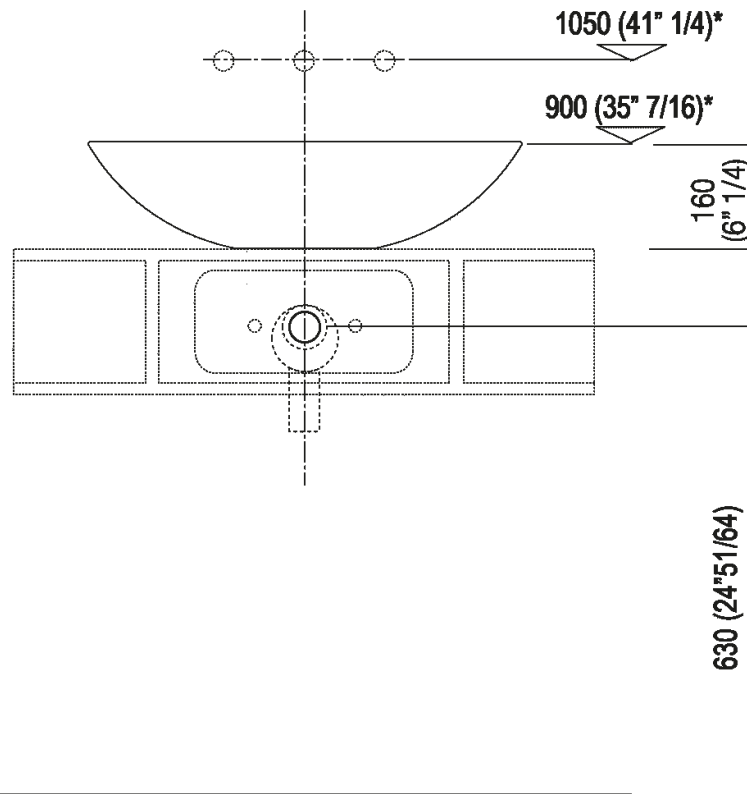


Scarico per sifone a bottiglia e ad incasso
Drain for bottle trap and concealed waste trap

*h.consigliata / advised h.



Installation notes: on casing H 20 cm Lato



Scarico per sifone a bottiglia e ad incasso
Drain for bottle trap and concealed waste trap

***h.consigliata / advised h.**