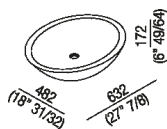




Over countertop washbasin
 ACER0713Z

Benedini Associati, 2005

Built-in washbasin in Cristalplant® biobased
 with generous measurements.



Finishes



White

Materials



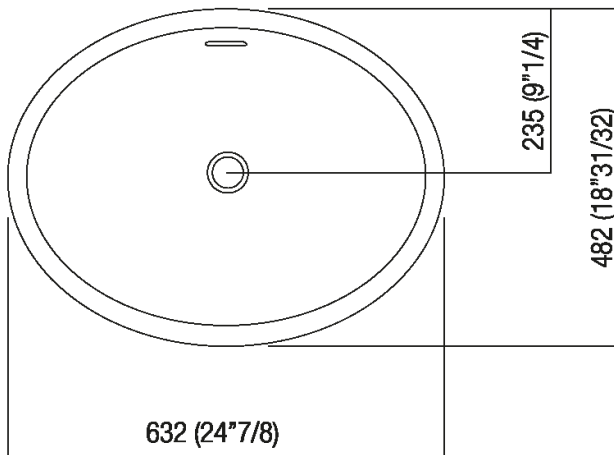
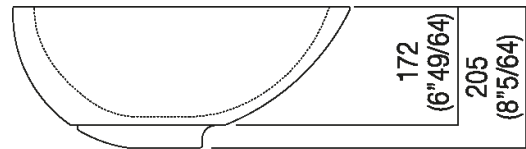
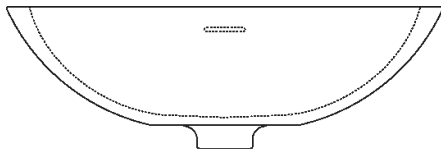
Cristalplant® biobased

Oval over countertop washbasin made from white Cristalplant® biobased without tap hole, with over flow hole. Designed for waste .MET0346P or .MET0562.

| | | |
|---------------|-----------------|-------------------------------|
| Height: | 17.2 cm | 6" 49/64 inches |
| Width: | 63.2 cm | 24" 7/8 inches |
| Weight: | 17 kg | 37 lbs |
| Depth: | 48.2 cm | 18" 31/32 inches |
| Capacity: | 9 l | 2 gal |
| Packaging: | 52 x 66 x 24 cm | 20" 4/8 x 26" x 9" 4/8 inches |
| Total weight: | 20 kg | 44 lbs |

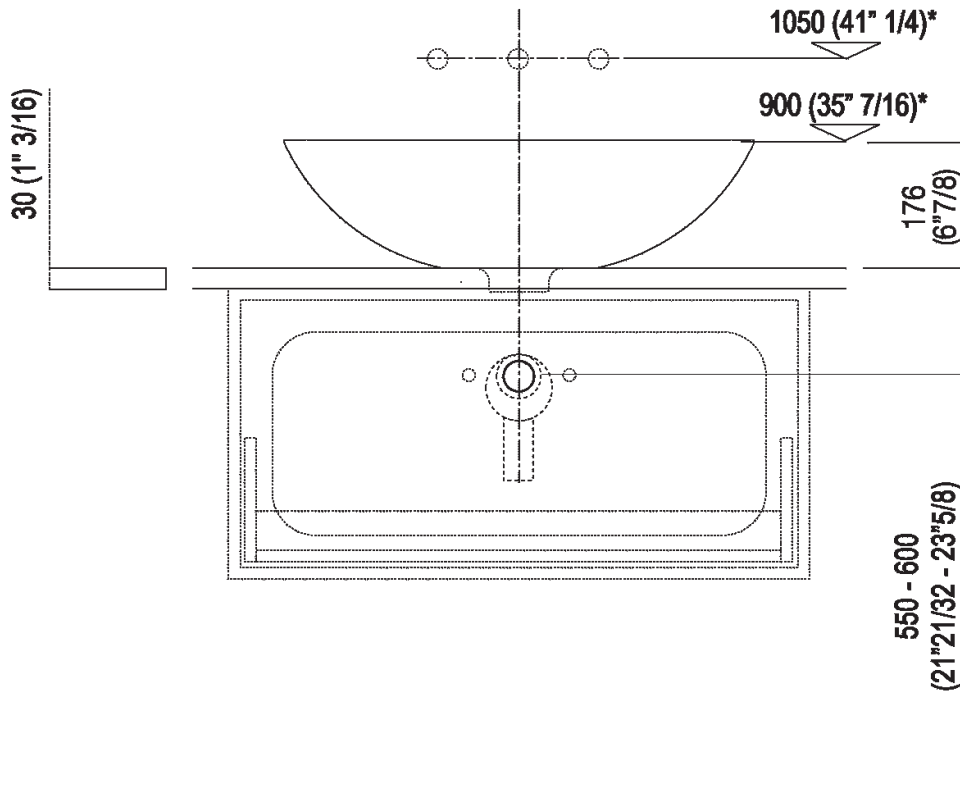


Main dimensions





Installation notes: countertop to be rested on cabinet with thickness cm 3 (1"3/16)

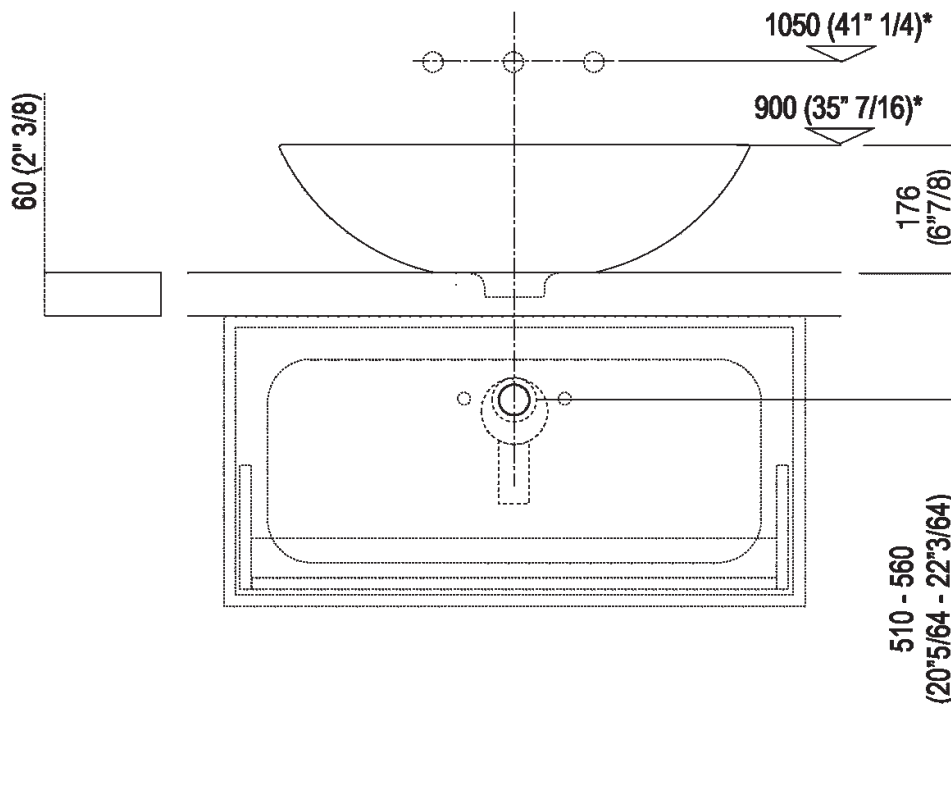


Scarico per sifone a bottiglia e ad incasso
 Drain for bottle trap and concealed waste trap

*h.consigliata / advised h.



Installation notes: countertop to be rested on cabinet with thickness cm 6 (2"3/8)

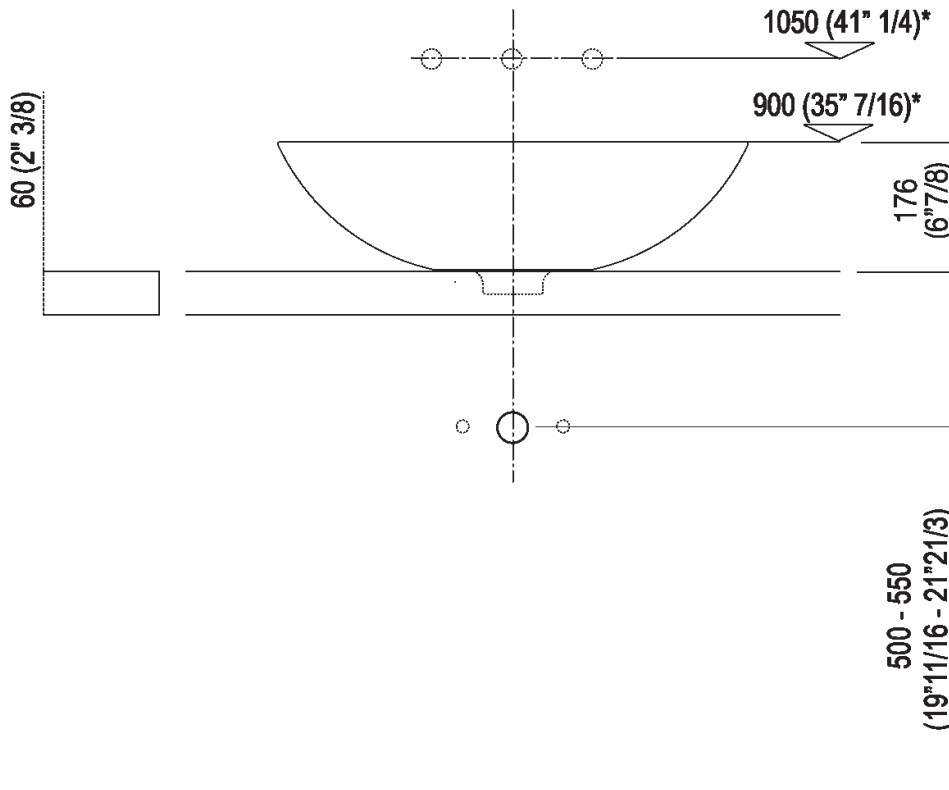


Scarico per sifone a bottiglia e ad incasso
Drain for bottle trap and concealed waste trap

*h.consigliata / advised h.



Installation notes: countertop with concealed wall
 fixings/freestanding with thickness cm 6 (2"3/8)

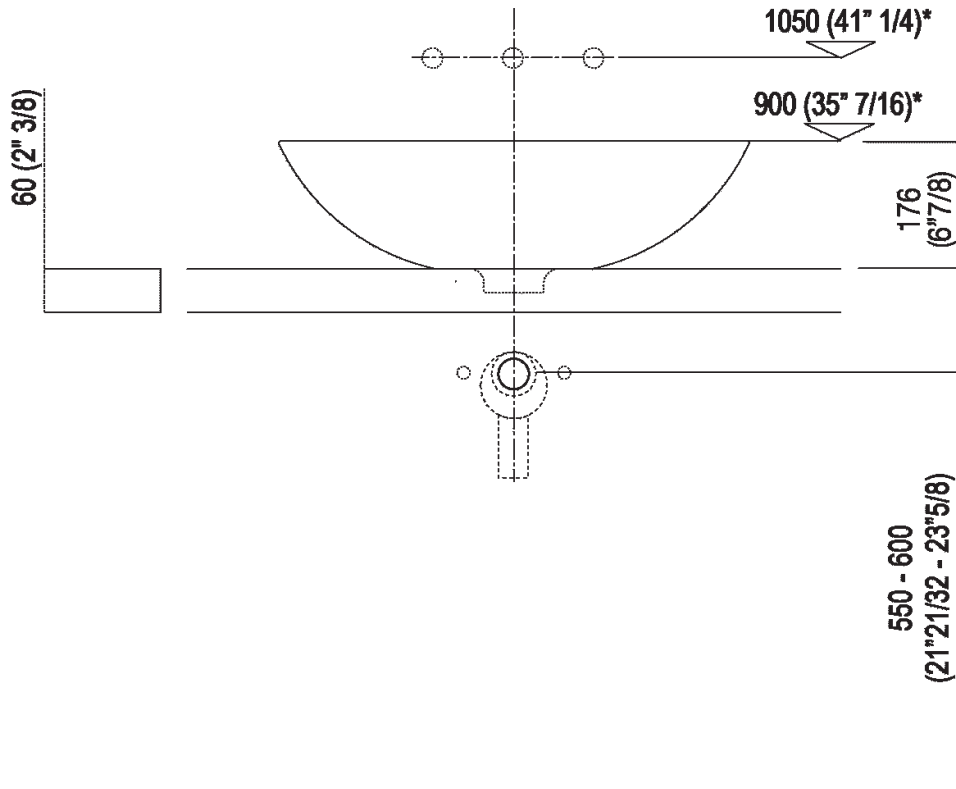


Scarico per sifone a bottiglia
 Drain for bottle trap

*h.consigliata / advised h.



Installation notes: countertop with concealed wall
 fixings/freestanding with thickness cm 6 (2"3/8)

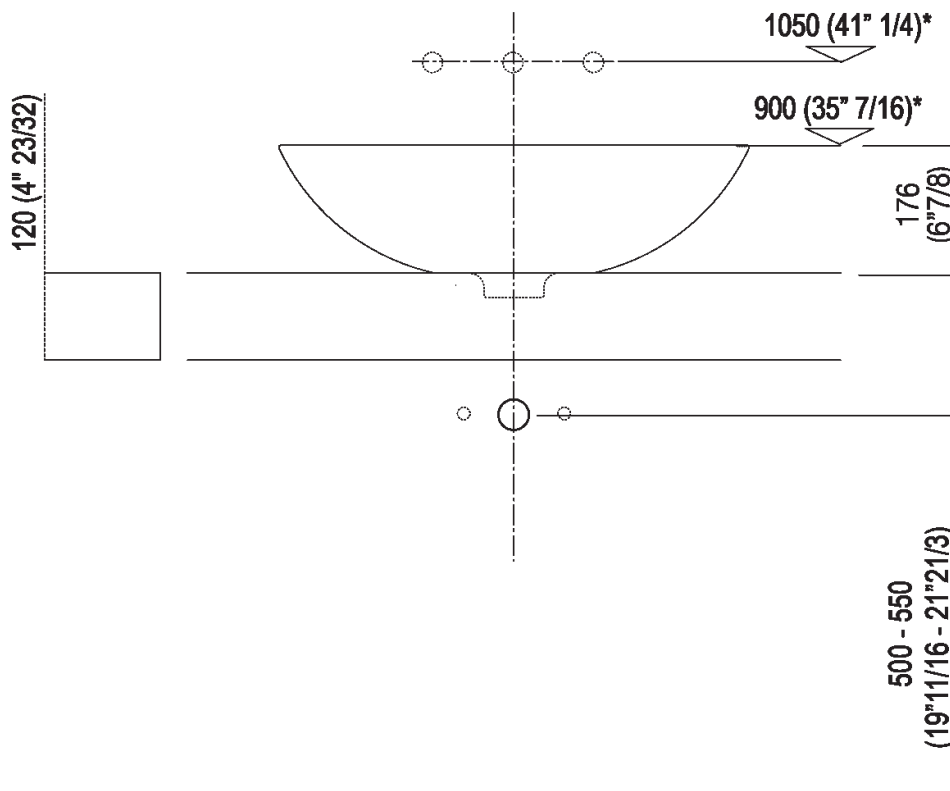


Scarico per sifone ad incasso
Drain for concealed waste trap

***h.consigliata / advised h.**



Installation notes: countertop with concealed wall
 fixings/freestanding with thickness cm 12 (4"23/32)

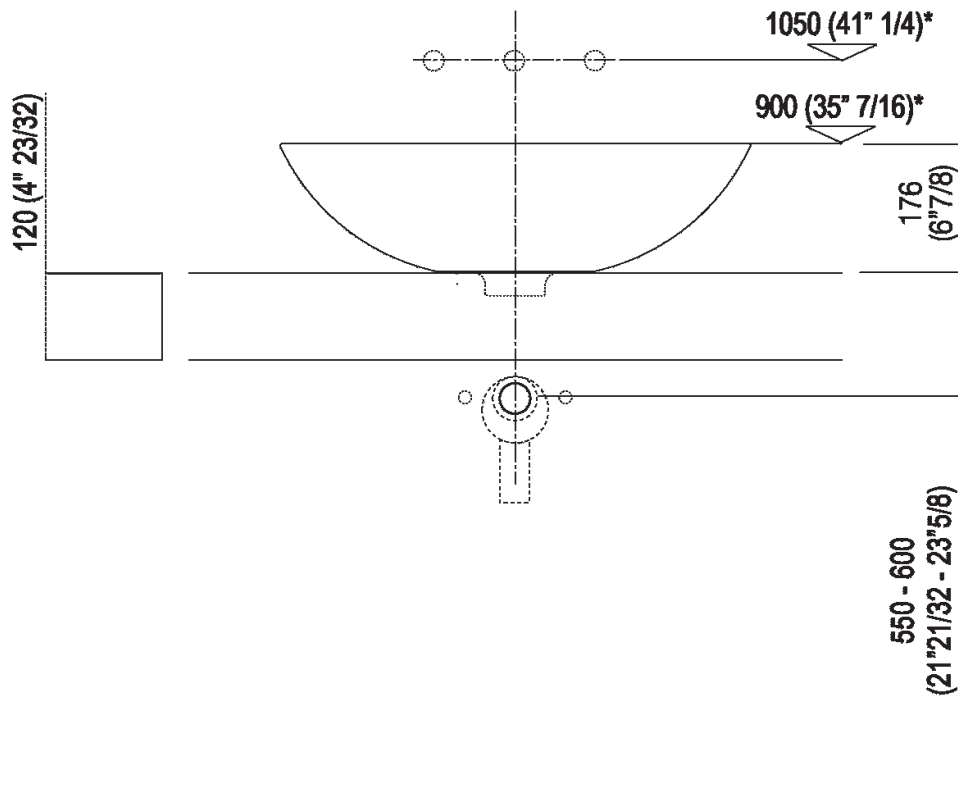


Scarico per sifone a bottiglia
 Drain for bottle trap

*h.consigliata / advised h.



Installation notes: countertop with concealed wall
 fixings/freestanding with thickness cm 12 (4"23/32)

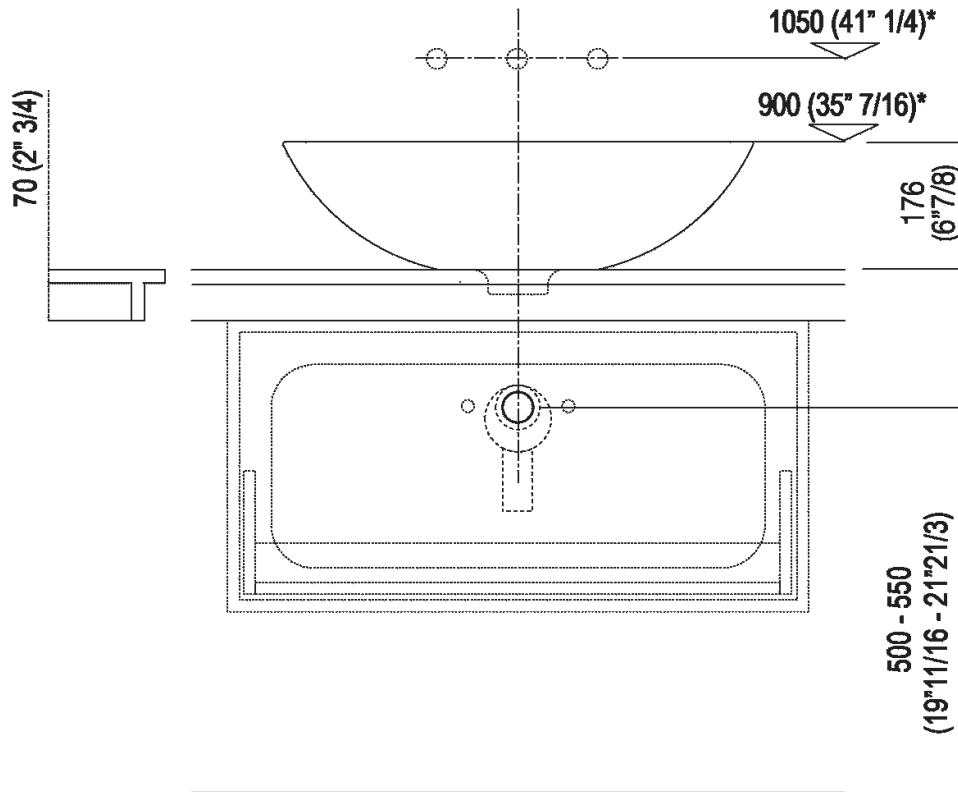


Scarico per sifone ad incasso
Drain for concealed waste trap

*h.consigliata / advised h.



Installation notes: countertop Evoluzione

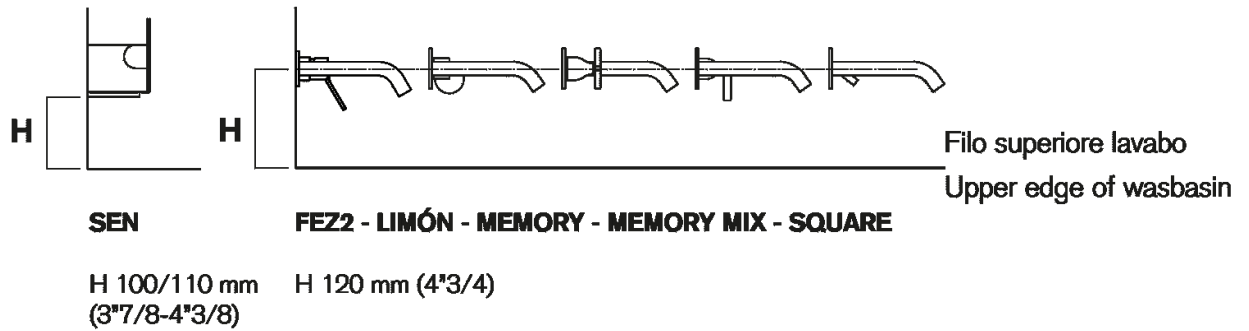


Scarico per sifone a bottiglia e ad incasso
Drain for bottle trap and concealed waste trap

*h.consigliata / advised h.



Tap position, recommended height

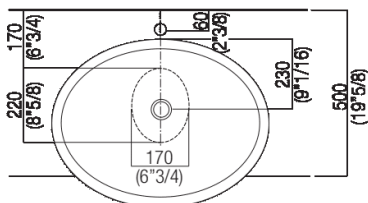




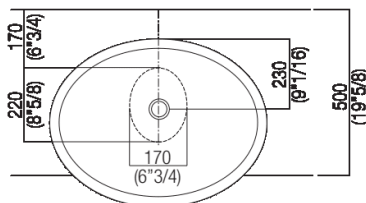
Holes for countertop washbasins and top mounted taps for top

PIANO cm 50 / COUNTERTOP cm 50

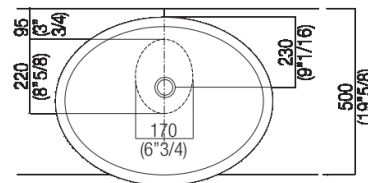
Posizione standard per rubinetto su piano
 Standard position for top mounted tap



Posizione standard per rubinetto a parete
 Standard position for wall mounted tap

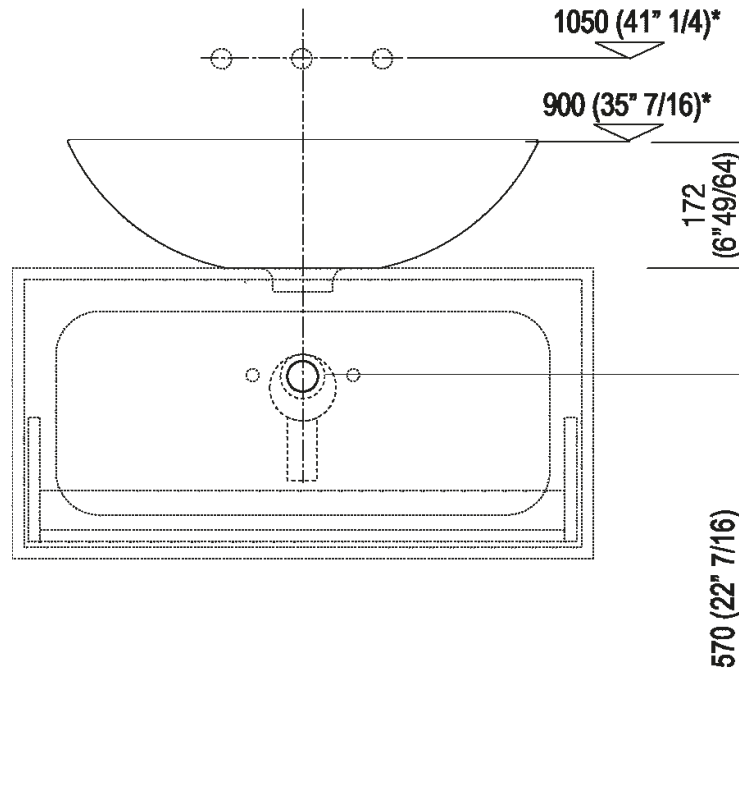


Posizione speciale per rubinetto Sen a parete e Square con bocca curva
 Special position for wall mounted tap Sen and Square white curved spout





Installation notes: on casing H 40 cm Lato

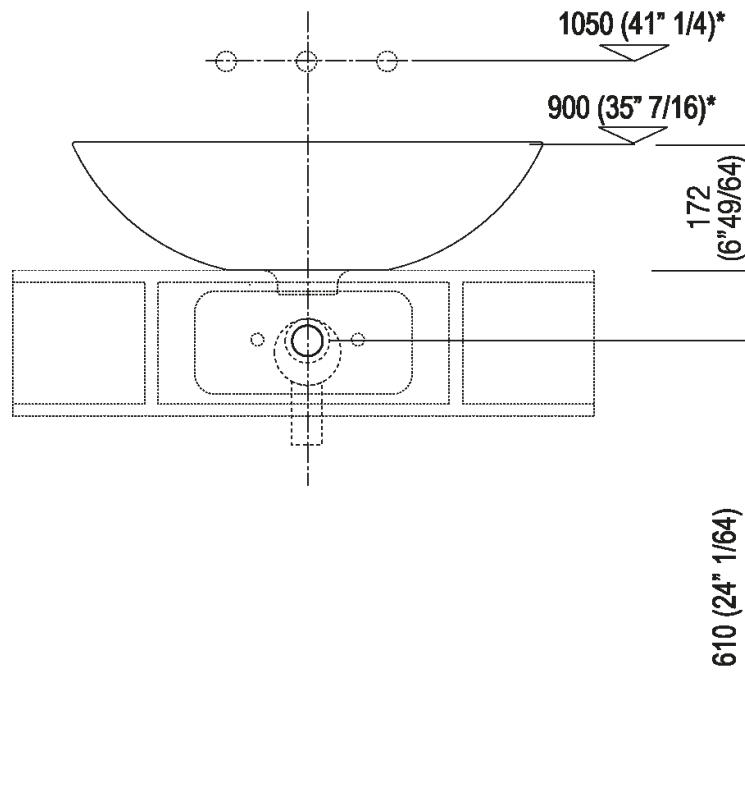


Scarico per sifone a bottiglia e ad incasso
Drain for bottle trap and concealed waste trap

***h.consigliata / advised h.**



Installation notes: on casing H 20 cm Lato



Scarico per sifone a bottiglia e ad incasso
Drain for bottle trap and concealed waste trap

*h.consigliata / advised h.