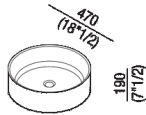







Over countertop washbasin
 ACER1083_

Angelo Mangiarotti, 2011 (1970)

Over countertop marble or Cristalplant®
 biobased washbasin.



Materials

-  Cristalplant® biobased
-  Marble
-  Concrete

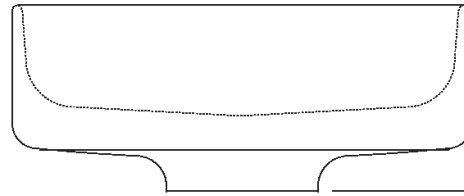
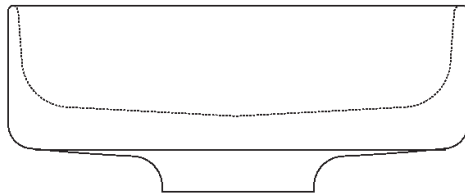
Round over countertop washbasin in white Carrara marble, grey carnic marble, black Marquina marble or in white Cristalplant® biobased with cylindric segment shaped basin. No tap hole. No overflow. Designed to take waste .MET0563.

Height:	19 cm	7" 1/2 inches
Diameter:	47 cm	18" 1/2 inches
Weight:	9 kg	20 lbs
Packaging:	53 x 53 x 25 cm	20" 7/8 x 20" 7/8 x 9" 7/8 inches
Total weight:	10 kg	22 lbs

Note: The washbasin can be delivered also in stone or marble types on demand, price to be calculated. The above measurements refer to the Cristalplant® biobased version, for the marble version the measurements are: Weight: 53 lbs Packaging: 22" 1/2 x 22" 1/2 x 15" 3/4 Gross weight: 75 lbs



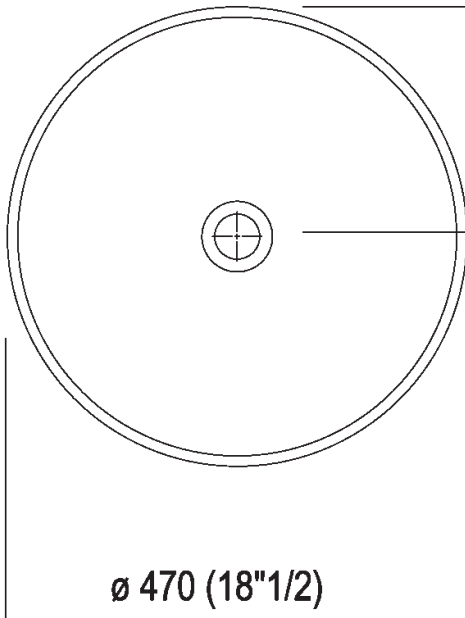
Main dimensions



145
(5"45/64)

190 (7"1/2)

∅ 153
(6"1/32)

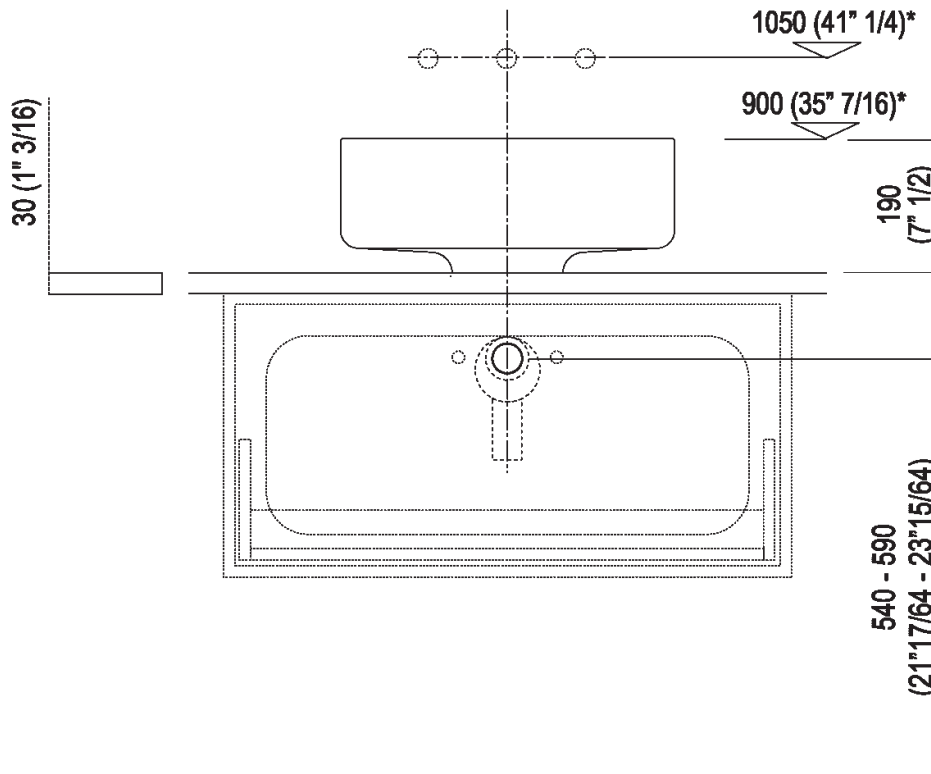


∅ 235 (9"5/8)

∅ 470 (18"1/2)



Installation notes: countertop to be rested on cabinet with thickness cm 3 (1"3/16)



Scarico per sifone a bottiglia e ad incasso
Drain for bottle trap and concealed waste trap

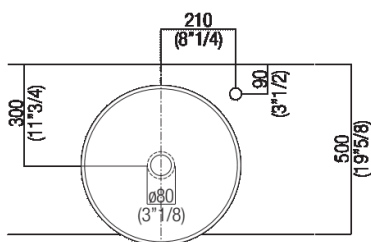
*h.consigliata / advised h.



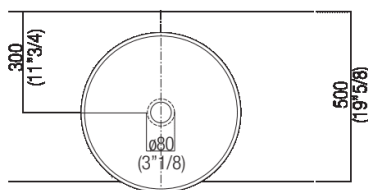
Holes for countertop washbasins and top mounted taps for top

PIANO cm 50 / COUNTERTOP cm 50

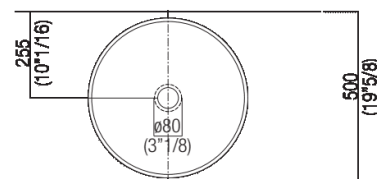
Posizione standard per rubinetto su piano
Standard position for top mounted tap



Posizione standard per rubinetto a parete
Standard position for wall mounted tap

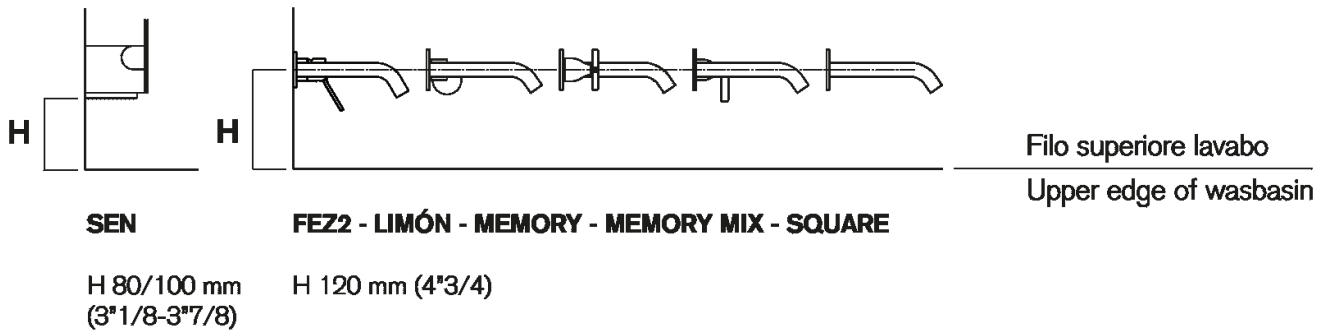


Posizione speciale per rubinetto Sen a parete e Square con bocca curva
Special position for wall mounted tap Sen and Square white curved spout



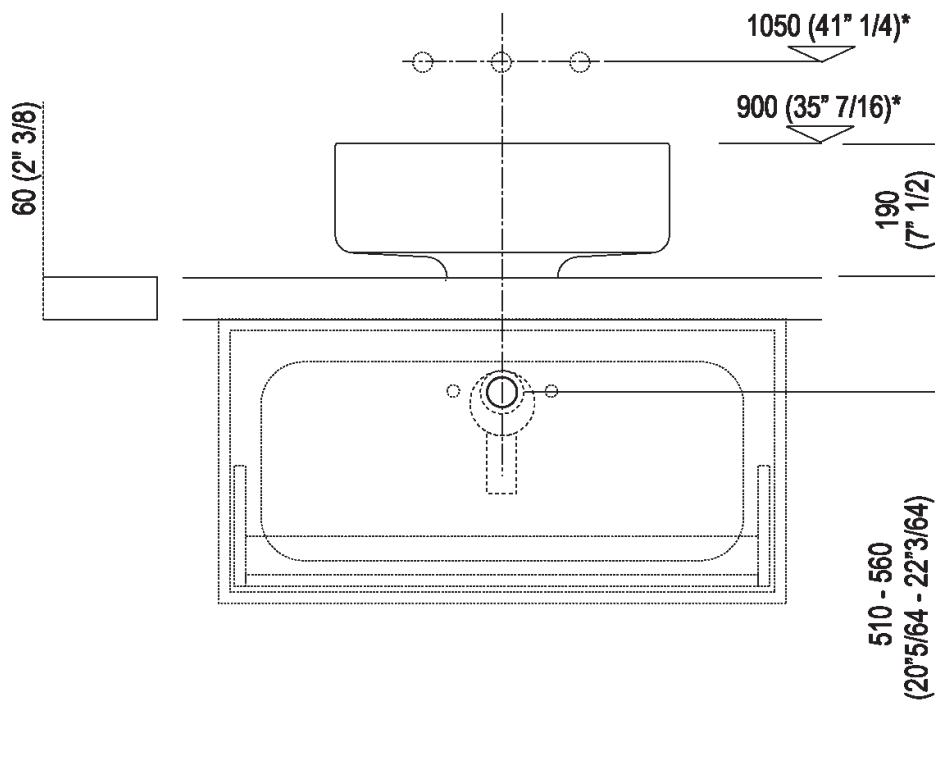


Tap position, recommended height





Installation notes: countertop to be rested on cabinet with thickness cm 6 (2"3/8)

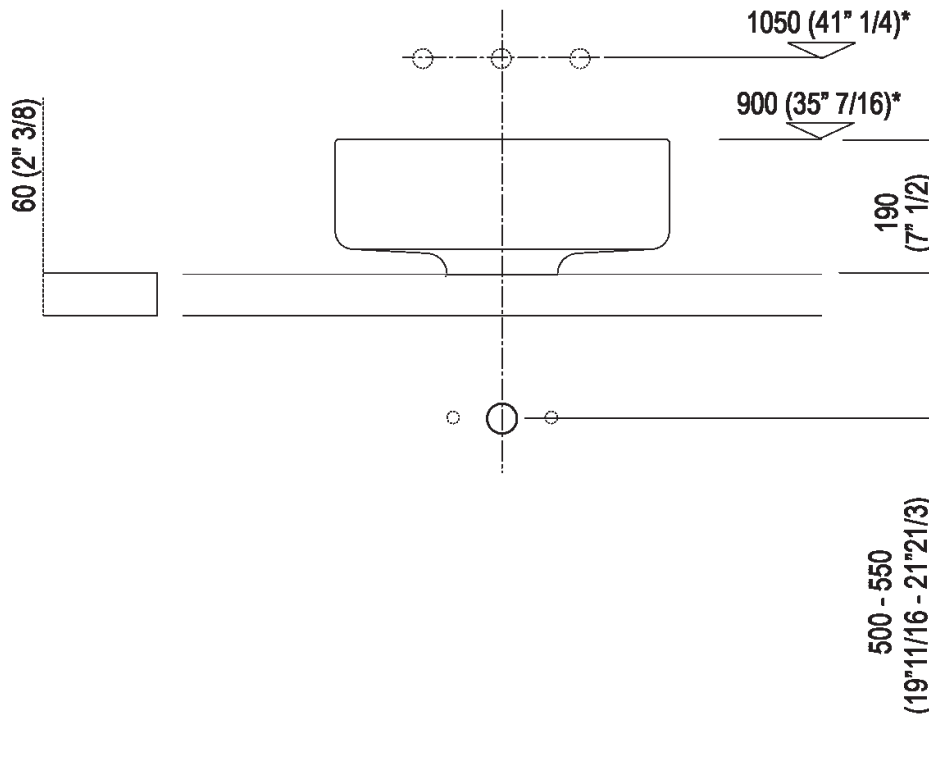


Scarico per sifone a bottiglia e ad incasso
Drain for bottle trap and concealed waste trap

*h.consigliata / advised h.



Installation notes: countertop with concealed wall
 fixings/freestanding with thickness cm 6 (2"3/8)

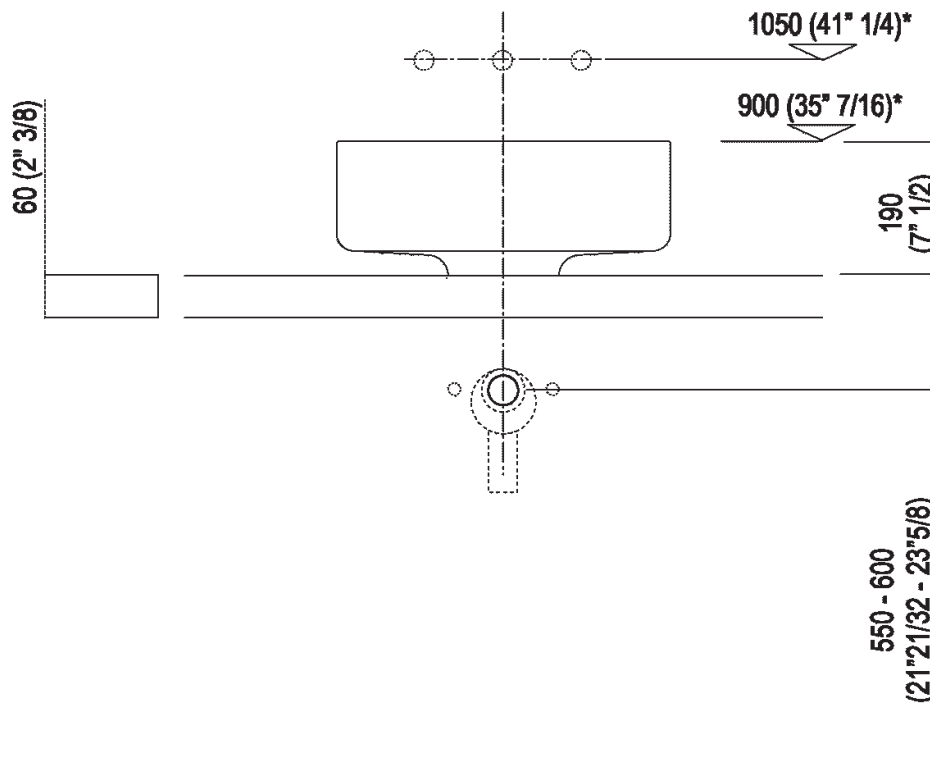


Scarico per sifone a bottiglia
 Drain for bottle trap

*h.consigliata / advised h.



Installation notes: countertop with concealed wall
 fixings/freestanding with thickness cm 6 (2"3/8)

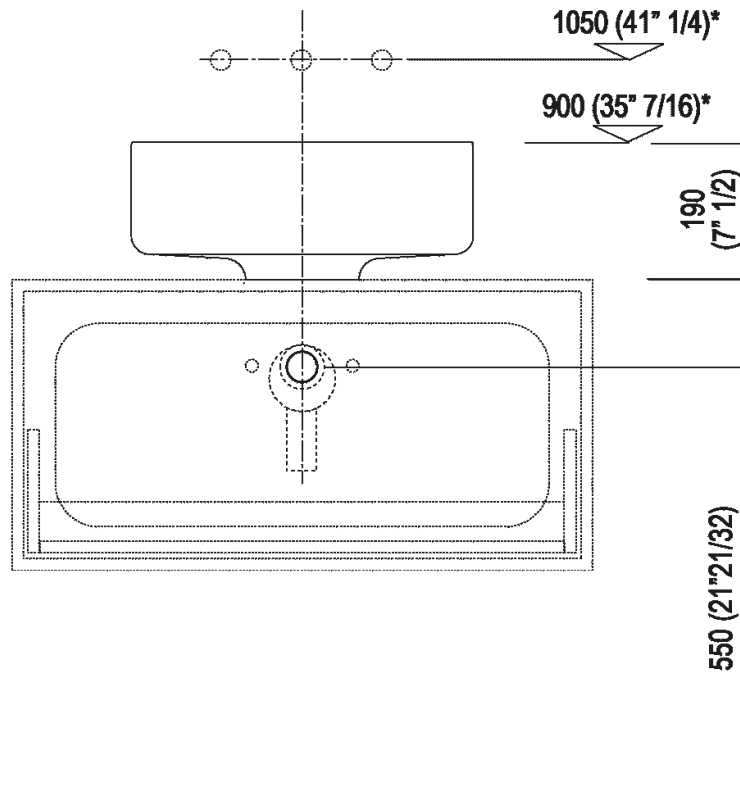


Scarico per sifone ad incasso
Drain for concealed waste trap

***h.consigliata / advised h.**



Installation notes: on casing H 40 cm Lato

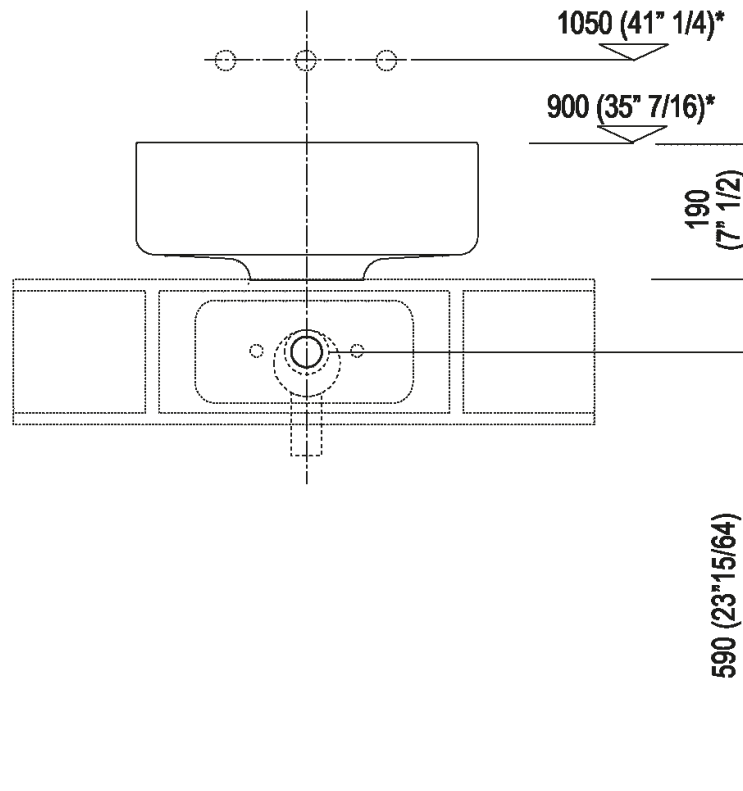


Scarico per sifone a bottiglia e ad incasso
Drain for bottle trap and concealed waste trap

***h.consigliata / advised h.**



Installation notes: on casing H 20 cm Lato



Scarico per sifone a bottiglia e ad incasso
Drain for bottle trap and concealed waste trap

*h.consigliata / advised h.