



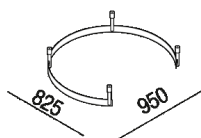
Band of cm 225 (88" 5/8) length and 4 brackets for open configuration ADOC0360A

RD Agape, 2007

Shower curtain support system

Support system for shower curtains made with a stainless steel band with external polished finish and internal satin finish, fastened to the ceiling with cylindrical brackets in polished stainless steel. Various lengths are available, multiples of 75 cm - 29” 1/2 (+ 2cm, 3/4” at the end), which make it possible to create several different open and closed configurations. A bracket is required at 75 cm (29” 1/2) intervals.

Length:	225 cm	88" 5/8 inches
---------	--------	----------------



Finishes



Polished

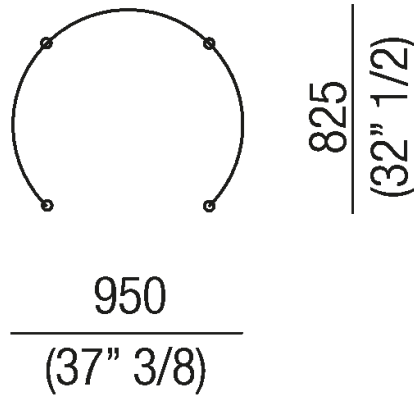
Materials



Stainless steel

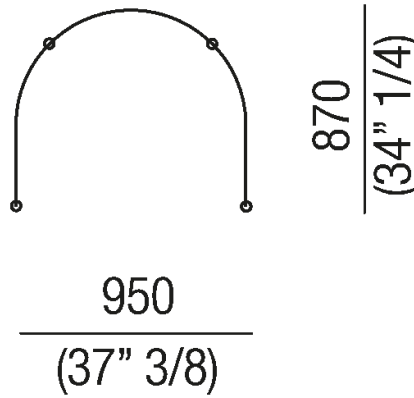


Example of possible use. Each configuration can be modified
depending to your needs.





Example of possible use. Each configuration can be modified depending to your needs.





Example of possible use. Each configuration can be modified depending to your needs.

