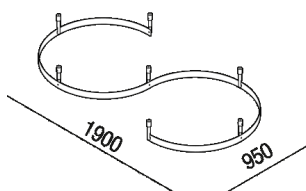




Band of 450 cm (177" 1/8) length and 7 brackets for open configuration ADOC0363A

RD Agape, 2007

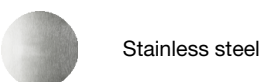
Shower curtain support system



**Finishes**



**Materials**

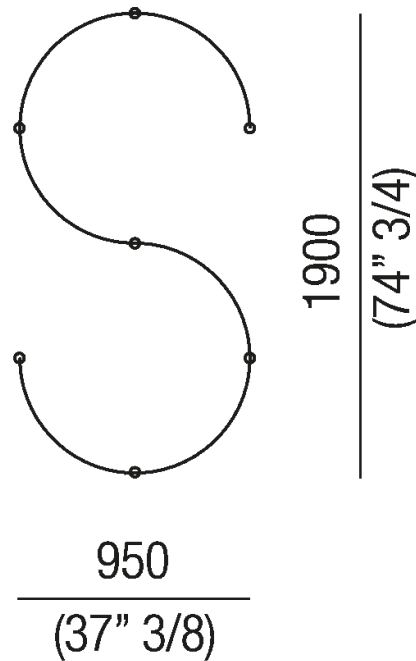


Support system for shower curtains made with a stainless steel band with external polished finish and internal satin finish, fastened to the ceiling with cylindrical brackets in polished stainless steel. Various lengths are available, multiples of 75 cm - 29&#8221; 1/2 (+ 2cm, 3/4&#8221; at the end), which make it possible to create several different open and closed configurations. A bracket is required at 75 cm (29&#8221; 1/2) intervals.

Length: 450 cm 177" 1/8 inches

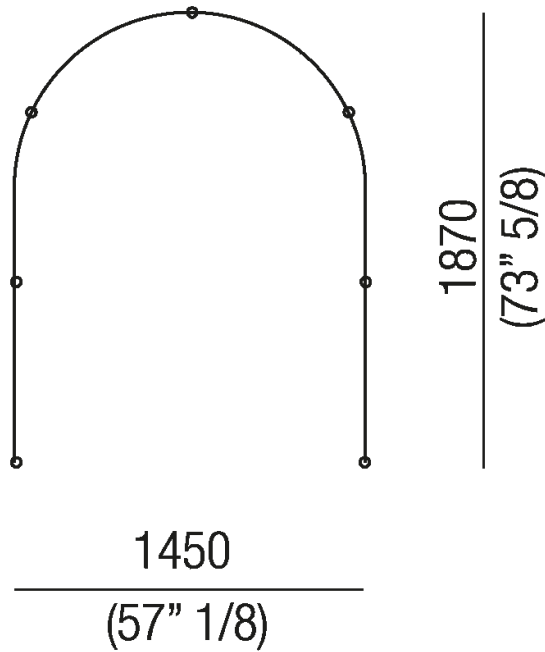


Example of possible use. Each configuration can be modified  
depending to your needs.





Example of possible use. Each configuration can be modified depending to your needs.





Example of possible use. Each configuration can be modified depending to your needs.

