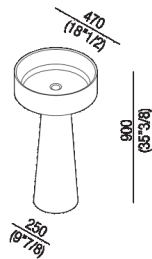




Column washbasin designed for wall drainage
 ACER1081EM_

Angelo Mangiarotti, 1918 (1970)

Free-standing washbasin for outdoor in Petit Granit marble or Cementoskin®.



Washbasin in Petit Granit marble or Cementoskin® (coloured concrete paste) with natural surface and velvety available in different colors, with cylindric basin and pedestal, without tap hole and without overflow, fixing kit included. The freestanding version include waste with cap in the same washbasin's finish (.MET0563). For the floor drainage the waste trap .MET0475 has to be used. The washbasin can be delivered also in stone or marble types on demand, price to be calculated and prior technical verification.



Height:	90 cm	35" 3/8 inches
Diameter:	47 cm	18" 1/2 inches
Weight:	55 kg	121 lbs
Packaging:	55 x 68 x 80 cm	21" 5/8 x 26" 6/8 x 31" 4/8 inches
Total weight:	75 kg	166 lbs

Note: The washbasin can be delivered also in stone or marble types on demand, price to be calculated and prior technical verification. The above measurements refer to the Cementoskin® version, for the marble version the measurements are: Weight: 172 lbs Packaging: 21" 5/8 x 26" 6/8 x 31" 4/8 Gross weight: 216 lbs

Finishes

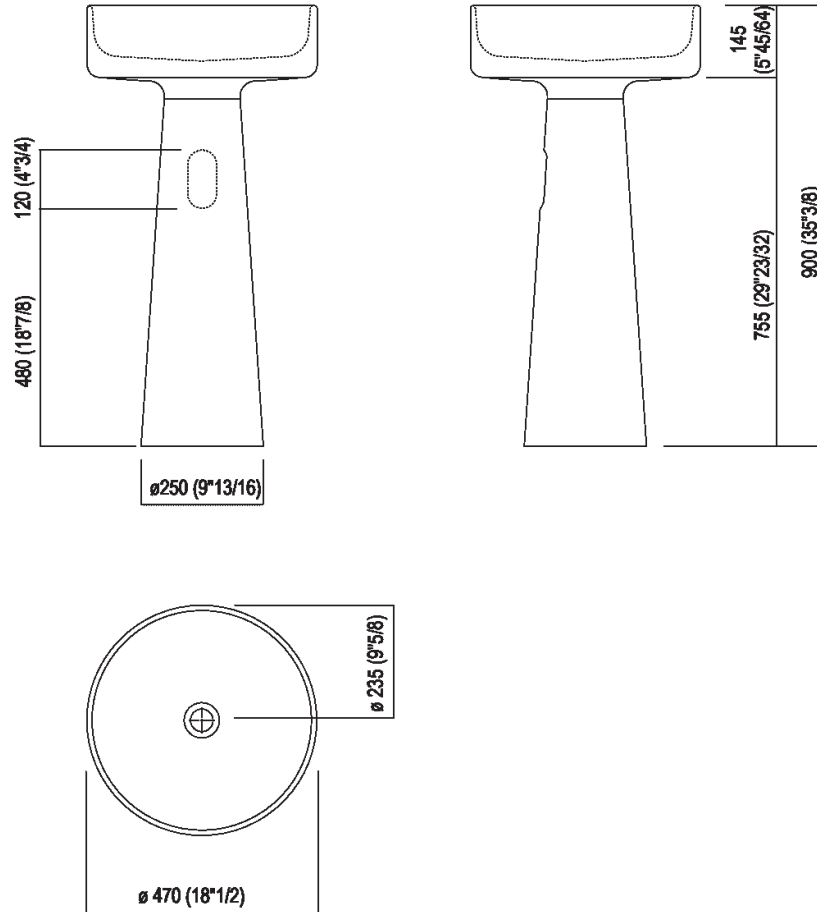
-  Cementoskin® dark grey
-  Cementoskin® light grey
-  Cementoskin® green
-  Cementoskin® coffee
-  Cementoskin® brick red
-  Petit Granit

Materials

-  Marble
-  Concrete

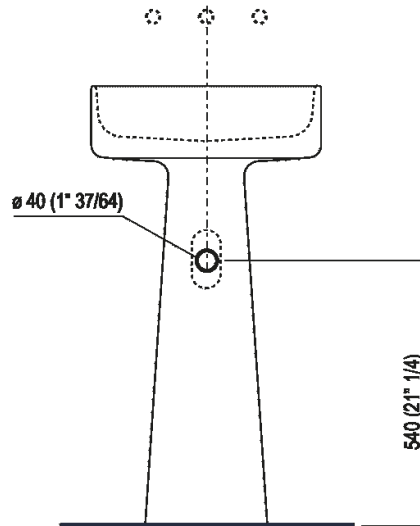


Main dimensions

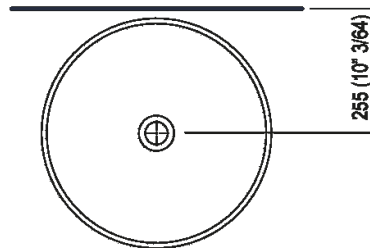




Installation notes: wall mounted tap

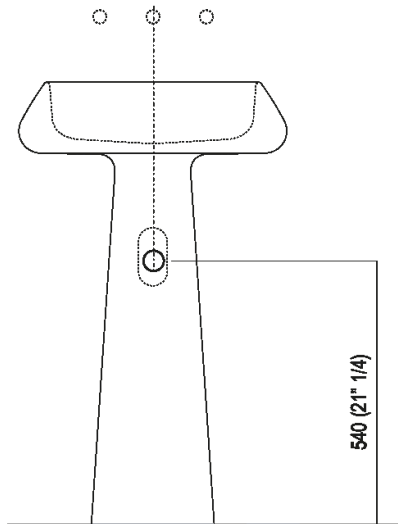


Scarico per sifone a bottiglia
Drain for bottle trap

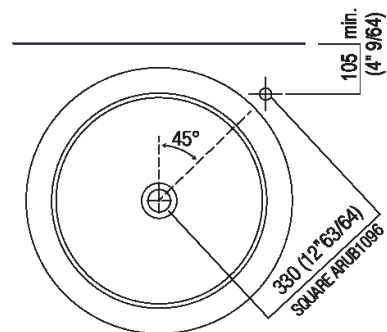




Installation notes: floor-mounted tap



Scarico per sifone a bottiglia
Drain for bottle trap





Tap position, recommended height

