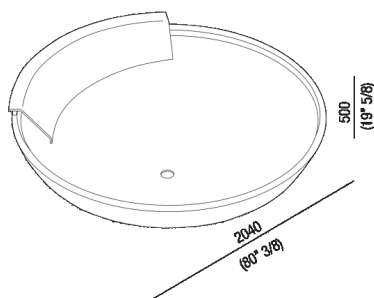




Bathtub with 1 backrest
 AVAS0906EZG

Benedini Associati, 2018

Big size round shape bathtub in stainless steel and bicoloured finish with white inner side and dark grey outside, with one or two backrests in white Cristalplant® outdoor. Suitable for Outdoor spaces.



Finishes



White/dark grey

Materials



Stainless steel



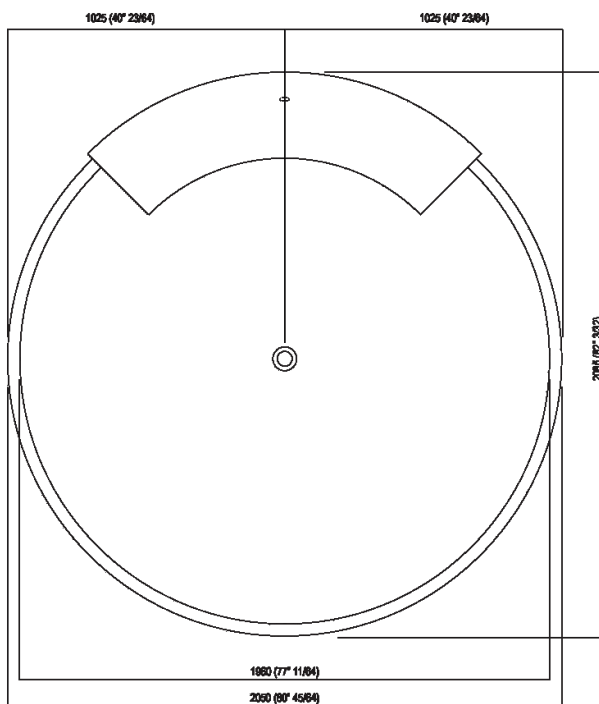
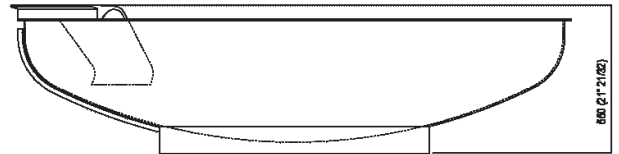
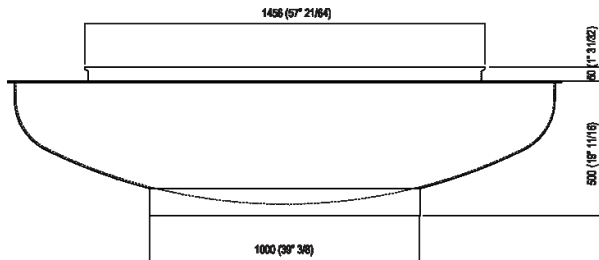
Circular stainless steel bathtub, painted in white (RAL9003) with dark grey exterior (RAL7021) with backrest in white Cristalplant® outdoor, overflow hole, without tap holes. Taps can be wall or floor mounted. The bath must be fitted with waste trap .MET0433WU (.MET0434 for bathtubs on display). The two-coloured model can be made in a colour chosen by the client, price to be calculated. For an easier installation of the bathtubs we recommend to use the template for the positioning of the waste trap AKITPZVAS.

Height:	50 cm	19" 5/8 inches
Diameter:	204 cm	80" 3/8 inches
Weight:	227 kg	500 lbs
Capacity:	880 l	232 gal
Packaging:	210 x 210 x 55 cm	82" 5/8 x 82" 5/8 x 21" 5/8 inches
Total weight:	397 kg	875 lbs

Note: Approximate height, considering the piece's manual production; take into account a tolerance of mm +60/-30 (+2"3/8 / -1"1/4).



Main dimensions





Dimensions for recess

