



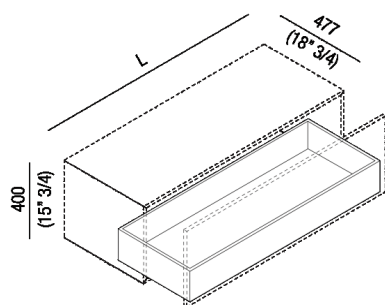
Drawer

ADL4\_

Benedini Associati, 2015

The drawers have fixed measures: 40, 60, 80, 100 and 120 cm (15"3/7, 23"5/8, 31"1/2, 39"3/8, 47"1/4). The drawer finish is the same as the casing, when this is in wood: when it is lacquered it must be chosen from the wood finishes available. The storage units of 40 cm (15" 3/4) height can be equipped with an additional internal drawer.

Note: The drawers are equipped with full extraction runners with push-pull opening and soft-closing mechanism (capacity 40 kg).



**Finishes**

-  Natural oak
-  Brown oak
-  Dark oak
-  Painted teak
-  Grey ash oak

**Materials**

-  Wood