



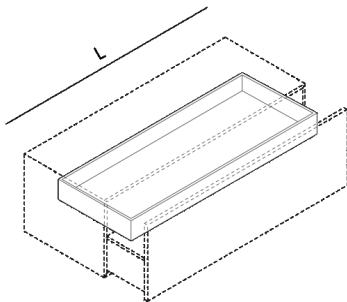
Additional drawer

ALI_

Benedini Associati, 2015

The drawers of the Lato storage units of 40 cm (15" 3/4) height can be equipped with an additional, internal drawer. The finish of the internal, additional drawer is the same as the main drawer.

Note: The internal drawer cannot be inserted under the washbasin.



Finishes

-  Natural oak
-  Brown oak
-  Dark oak
-  Painted teak
-  Grey ash oak

Materials

-  Wood