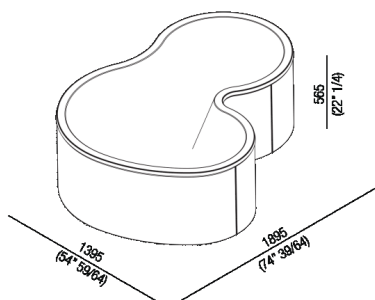




Bathtub with external structure
 AVAS1091E_

Studio MK27, Mariana Ruzante, Marcio
 Kogan, 2020 (2014)



Finishes

-  Cementoskin® coffee
-  Cementoskin® green
-  Cementoskin® brick red
-  Cementoskin® light grey
-  Cementoskin® dark grey

Materials

-  Concrete



Bathtub realised in Cementoskin®#174; (coloured concrete paste) in different colors. The outdoor version is available in the free-standing version, with or without external structure, with overflow integrated in the chromed waste trap .MET0722S included, without tap holes. The version without outside structure can be also built-in in the floor. For an easier installation of the bathtubs we recommend to use the template for the positioning of the waste trap AKITPZVAS (see p. 8.6). The bathtub is irregular in shape and therefore supplied with template. For proper positioning of the bathtub and systems the template can be ordered beforehand (.IMB1805).

Height:	56.5 cm	22" 1/4 inches
Width:	139.5 cm	54" 59/64 inches
Length:	189.5 cm	74" 39/64 inches
Weight:	295 kg	650 lbs
Capacity:	380 l	101 gal
Packaging:	205 x 153 x 85 cm	80" 6/8 x 60" 2/3 x 33" 4/8 inches
Total weight:	390 kg	860 lbs