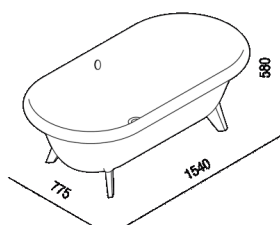




Bathtub with waste and overflow connection
 AVAS0967_

Benedini Associati, 2013

Freestanding bathtub; in
 Cristalplant®; biobased; perfect for
 small rooms.



Finishes

-  White/dark grey
-  White/light grey
-  White
-  Brushed burnished
-  Brushed
-  Chrome

Materials

-  Cristalplant® biobased
-  Brass

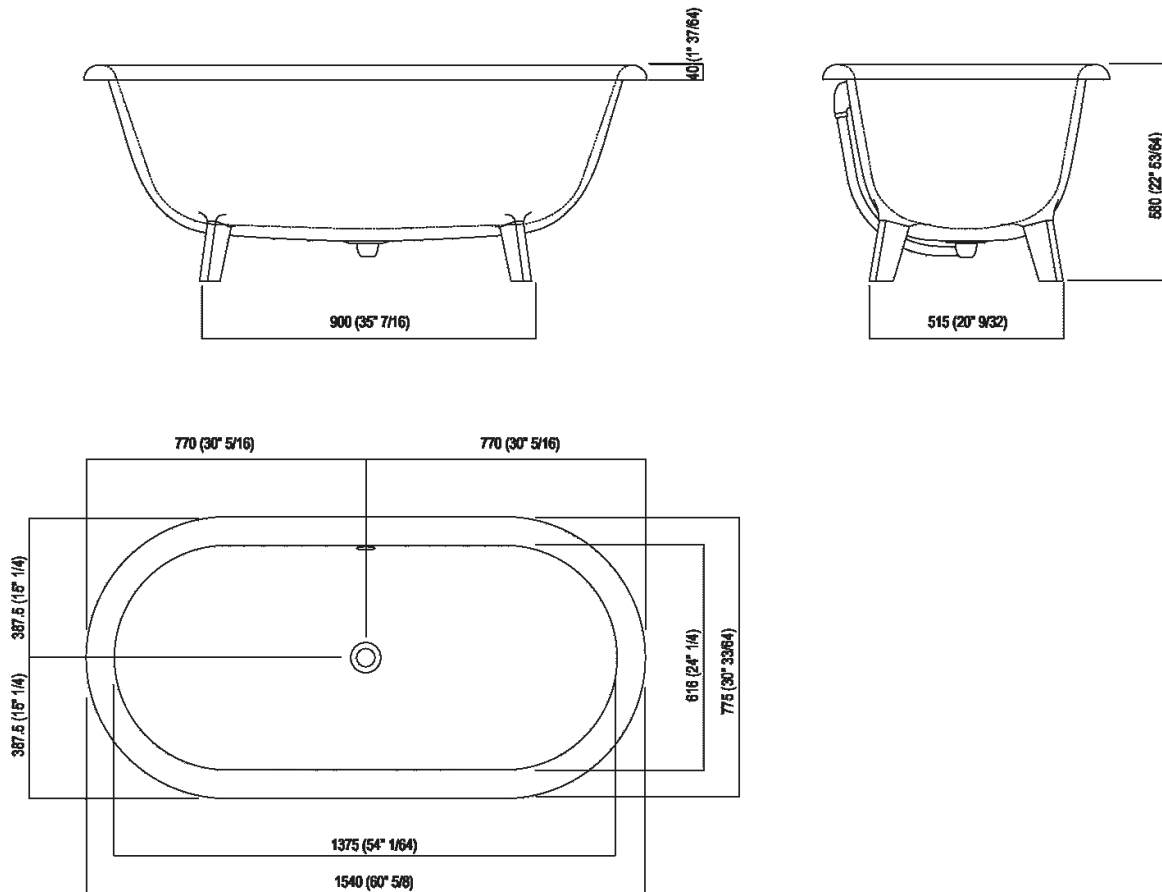


Classical bathtub made from Cristalplant® biobased, available in white or two colour (exterior in dark grey RAL7021 or light grey RAL7044) outside, with feet of the same material. Supplied with external waste and external overflow connection .MET1516 (available in chrome or brushed chrome or brushed burnished finish) also suitable for bathtubs in display; without tap holes. Taps can be wall or floor mounted. The two-coloured model can be made in a colour chosen by the client with a surcharge of 15%.

Height:	58 cm	22" 53/64 inches
Length:	154 cm	60" 5/8 inches
Weight:	50 kg	110 lbs
Depth:	77.5 cm	30" 33/64 inches
Capacity:	200 l	53 gal
Packaging:	92 x 168 x 70 cm	36" 1/2 x 105" 1/2 x 27" 1/2 inches
Total weight:	94 kg	207 lbs

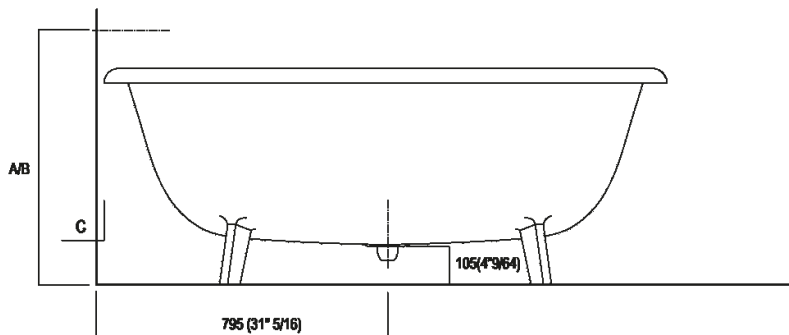
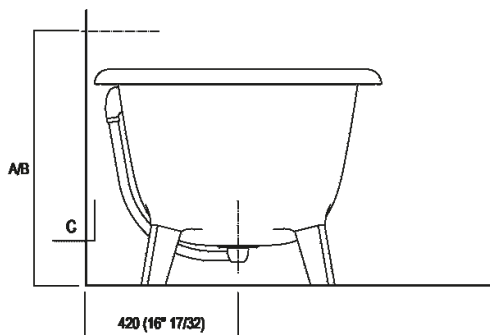


Main dimensions





Dimensions for wall mounted taps

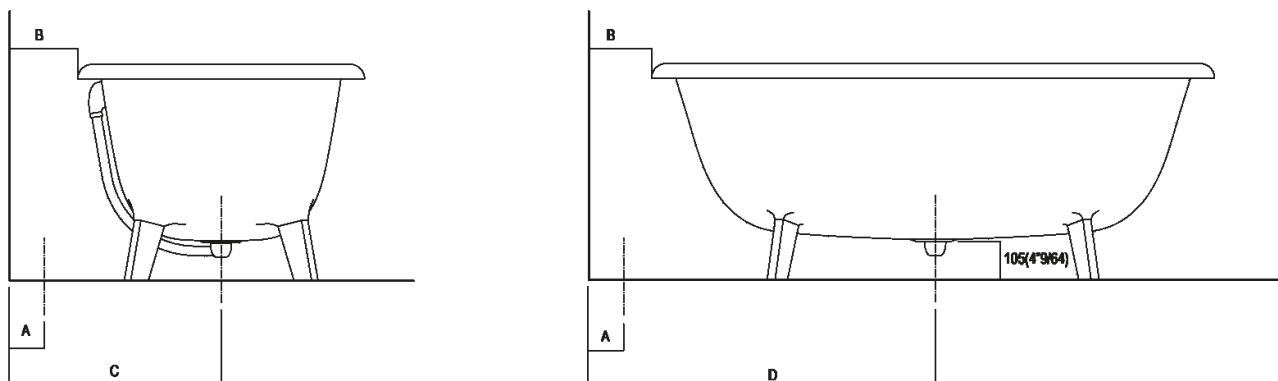


	A*	B**	C
FEZ 2 (EFEZ027)	700 (27 ¹ / ₂)	-	80 (3 ⁵ / ₃₂)
LIMÓN (ELIM433)	700 (27 ¹ / ₂)	-	80 (3 ⁵ / ₃₂)
MEMORY (EMEM324, EMEM343)	700 (27 ¹ / ₂)	-	80 (3 ⁵ / ₃₂)
(EMEM342)	700 (27 ¹ / ₂)	-	50 (1 ³¹ / ₃₂)
MEMORY MIX (EMIX437)	700 (27 ¹ / ₂)	-	50 (1 ³¹ / ₃₂)
SQUARE (ERUB1117)	-	700 (27 ¹ / ₂)	50 (1 ³¹ / ₃₂)
(ERUB1118)	-	700 (27 ¹ / ₂)	80 (3 ⁵ / ₃₂)
SEN (ESEN0912V)	-	700 (27 ¹ / ₂)	50 (1 ³¹ / ₃₂)

* inserasse gruppo / axial distance for tap
 ** filo inferiore gruppo / Tap's lower edge



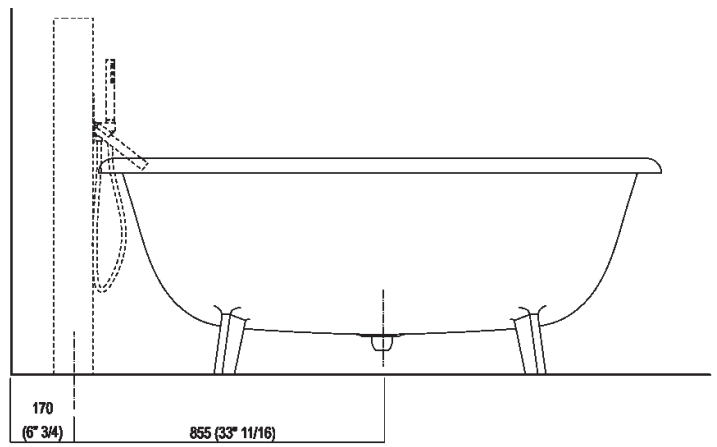
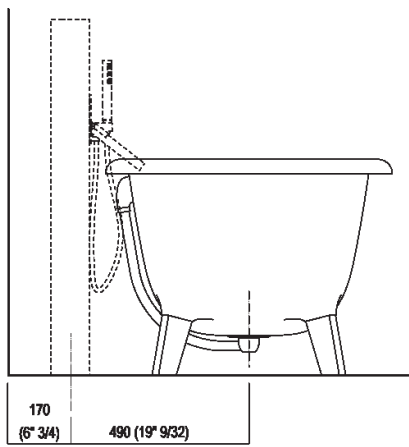
Dimensions for freestanding spouts



	A	B	C	D
FEZ 2 (EFEZ026, MET885) (EFEZ028)	90 (3"35/64) 135 (5"5/16)	180 (7"3/32) 210 (8"17/64)	590 (23"15/64) 635 (25")	950 (37"13/32) 980 (38"37/64)
LIMÓN (ELIM425)	135 (5"5/16)	210 (8"17/64)	450 (17"23/32)	980 (38"37/64)
MEMORY (EMEM325)	135 (5"5/16)	210 (8"17/64)	450 (17"23/32)	980 (38"37/64)
MEMORY MIX (EMIX425)	135 (5"5/16)	210 (8"17/64)	450 (17"23/32)	980 (38"37/64)
LIMÓN / MEMORY / MEMORY MIX (EMEM327)	90 (3"35/64)	180 (7"3/32)	590 (23"15/64)	950 (37"13/32)
SQUARE (ERUB1112, ERUB1115)	90 (3"35/64)	180 (7"3/32)	590 (23"15/64)	950 (37"13/32)
SEN (ESEN0911, ESEN0977)	90 (3"35/64)	140 (5"33/64)	550 (21"21/32)	910 (35"53/64)

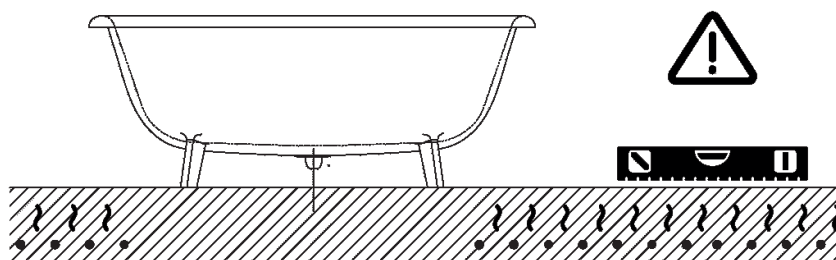


Dimensions for tap support





Note

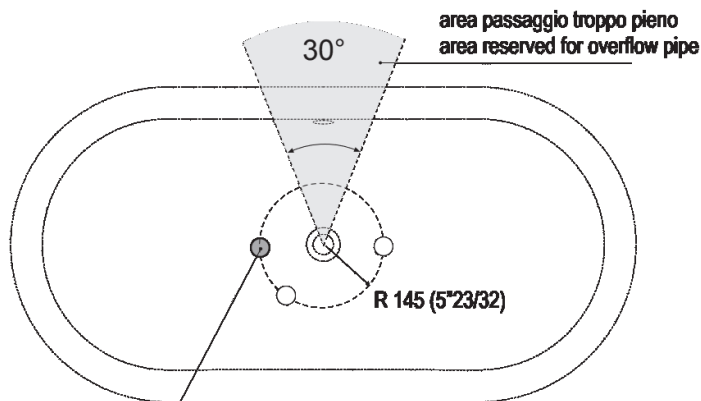
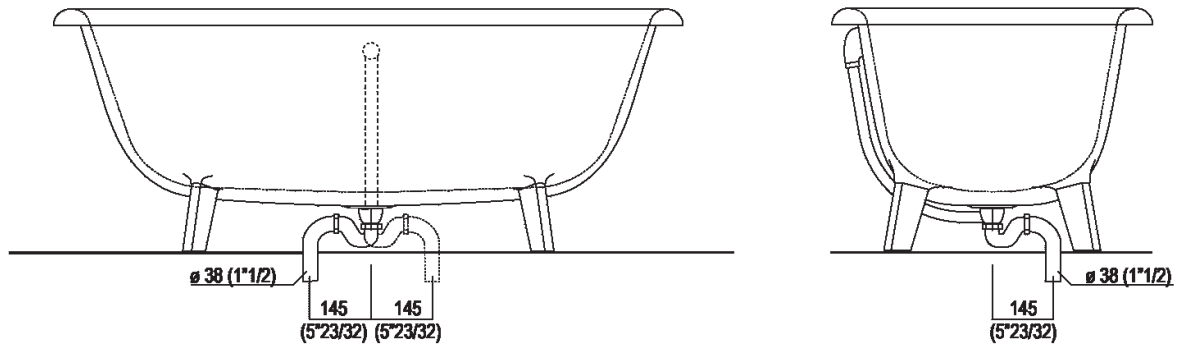


**La vasca deve essere installata su un pavimento perfettamente piano.
The bathtub must be positioned on a flat floor surface.**

**Evitare di realizzare impianti di riscaldamento nell'area sottostante la vasca.
Avoid the installation of floor heating plants in the area under the bathtub.**



Dimensions for waste



area passaggio troppo pieno
 area reserved for overflow pipe

scarico \varnothing 40 mm con OR di tenuta
 \varnothing 40 mm waste pipe with O-ring