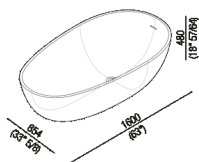




Spoon M  
 AVAS1093\_

Benedini Associati, 2019

White or two-tone Cristalplant® biobased  
 free-standing bathtub.



**Finishes**

-  White
-  White/dark grey
-  White/light grey

**Materials**

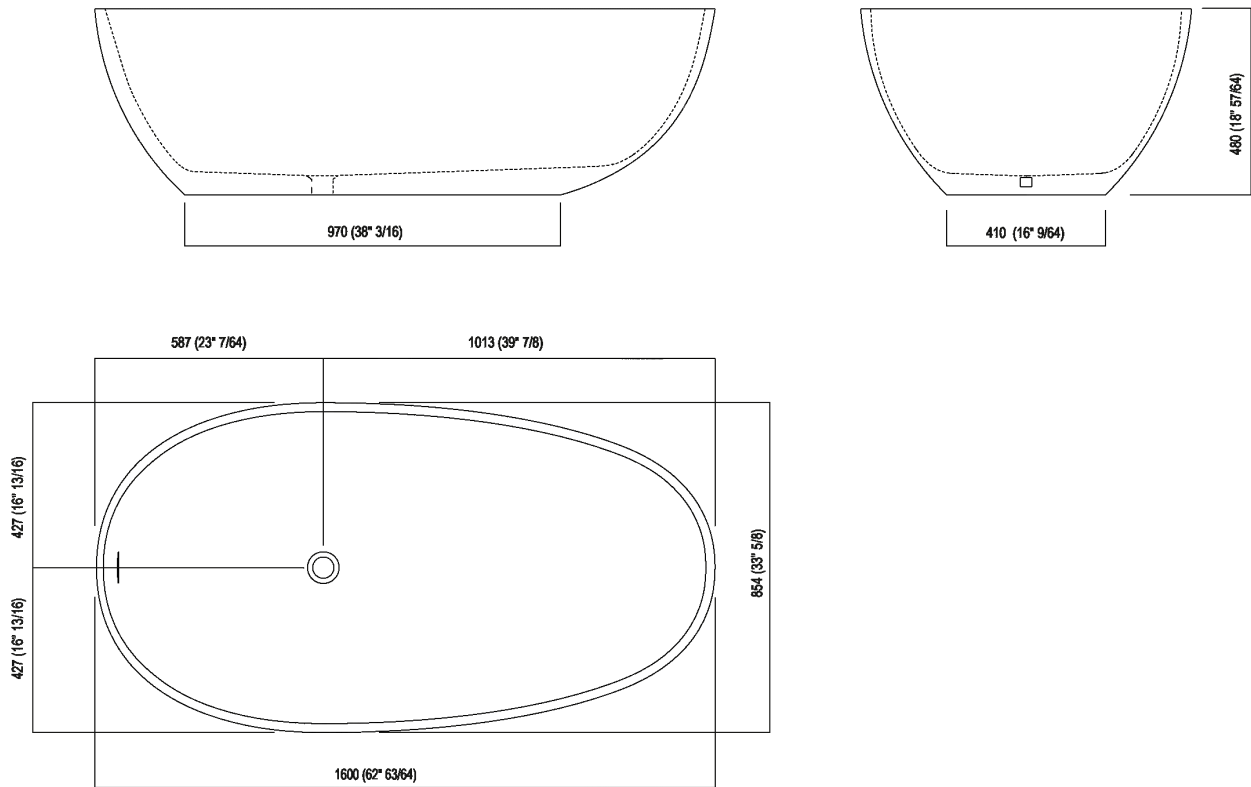
-  Cristalplant® biobased

Oval bathtub made from white Cristalplant® biobased or two colourd (exterior in dark grey RAL7021 or light grey RAL7044); with overflow, without tap holes. Taps can be wall or floor mounted. The bathtub must be fitted with waste trap .MET0477 or .MET0477C (.MET0434 or .MET0477C for display tubs). The two-coloured model can be made in colours chosen by the client with a surcharge of 15% on the price of the two-coloured finish. For an easier installation of the bathtubs we recommend to use the template for the positioning of the waste trap AKITPZVAS.

Height:	48 cm	18" 57/64 inches
Length:	160 cm	63" inches
Weight:	67 kg	148 lbs
Depth:	85.4 cm	33" 5/8 inches
Capacity:	250 l	66 gal
Packaging:	100 x 172 x 65 cm	39" 3/8 x 24" 3/8 x 25" 5/8 inches
Total weight:	117 kg	258 lbs

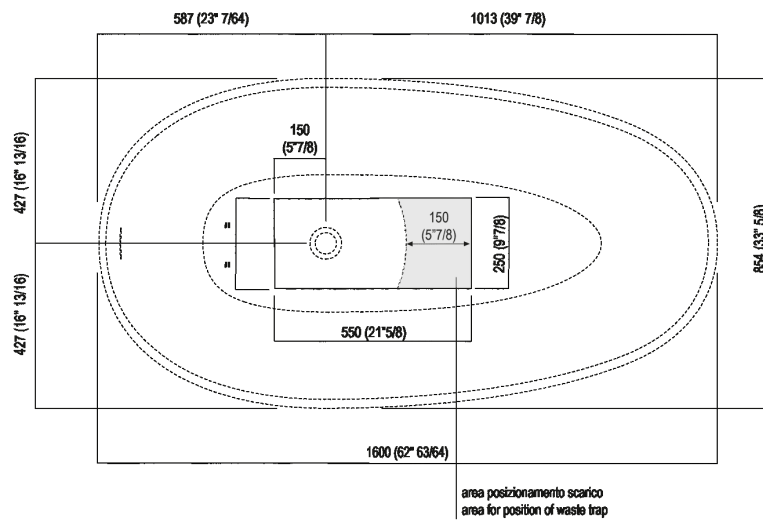


Main dimensions



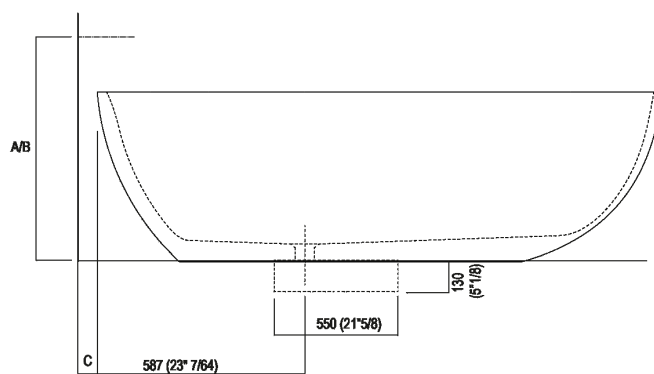
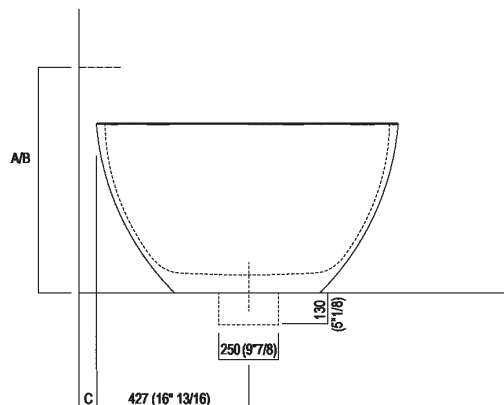


Dimensions for recess





Dimensions for wall mounted taps

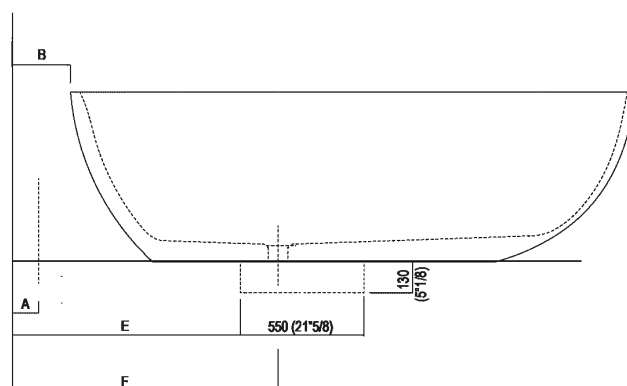
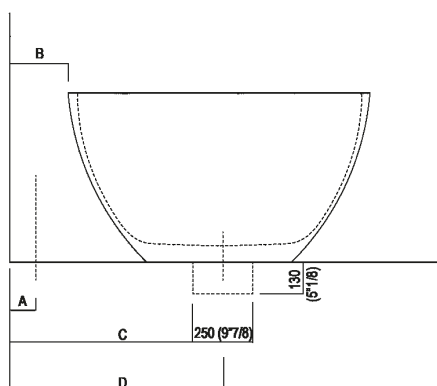


	A*	B**	C
FEZ2 (EFEZ027)	630 (24" 51/64)	-	80 (3" 5/32)
LIMÓN (ELIM433)	630 (24" 51/64)	-	80 (3" 5/32)
MEMORY (EMEM324, EMEM343) (EMEM342)	630 (24" 51/64)	-	80 (3" 5/32)
	630 (24" 51/64)	-	50 (1" 31/32)
MEMORY MIX (EMIX437)	630 (24" 51/64)	-	50 (1" 31/32)
SQUARE (ERUB1117) (ERUB1118)	-	700 (27" 9/16)	50 (1" 31/32)
	-	700 (27" 9/16)	80 (3" 5/32)
SEN (ESEN0912V)	-	700 (27" 9/16)	50 (1" 31/32)

\* inserasse gruppo / axial distance for tap  
 \*\* filo inferiore gruppo / Tap's lower edge



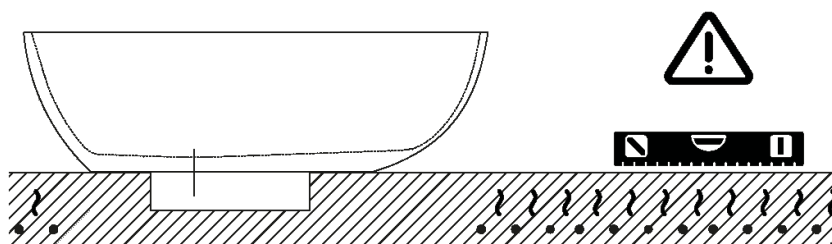
Dimensions for freestanding spouts



	A	B	C	D	E	F
FEZ2 (EFEZ026, .MET885)	90 (3 <sup>35</sup> /64)	180 (7 <sup>3</sup> /32)	480 (18 <sup>57</sup> /64)	610 (24 <sup>1</sup> /64)	620 (24 <sup>13</sup> /32)	770 (30 <sup>5</sup> /16)
(EFEZ028)	135 (5 <sup>5</sup> /16)	210 (8 <sup>17</sup> /64)	510 (20 <sup>5</sup> /64)	635 (25 <sup>*</sup> )	630 (24 <sup>51</sup> /64)	780 (30 <sup>45</sup> /64)
LIMÓN (ELIM425)	135 (5 <sup>5</sup> /16)	210 (8 <sup>17</sup> /64)	510 (20 <sup>5</sup> /64)	635 (25 <sup>*</sup> )	630 (24 <sup>51</sup> /64)	780 (30 <sup>45</sup> /64)
MEMORY (EMEM325)	135 (5 <sup>5</sup> /16)	210 (8 <sup>17</sup> /64)	510 (20 <sup>5</sup> /64)	635 (25 <sup>*</sup> )	630 (24 <sup>51</sup> /64)	780 (30 <sup>45</sup> /64)
MEMORY MIX (EMIX425)	135 (5 <sup>5</sup> /16)	210 (8 <sup>17</sup> /64)	510 (20 <sup>5</sup> /64)	635 (25 <sup>*</sup> )	630 (24 <sup>51</sup> /64)	780 (30 <sup>45</sup> /64)
LIMÓN / MEMORY / MEMORY MIX (EMEM327)	90 (3 <sup>35</sup> /64)	180 (7 <sup>3</sup> /32)	480 (18 <sup>57</sup> /64)	610 (24 <sup>1</sup> /64)	620 (24 <sup>13</sup> /32)	770 (30 <sup>5</sup> /16)
SQUARE (ERUB1112, ERUB1115)	90 (3 <sup>35</sup> /64)	180 (7 <sup>3</sup> /32)	480 (18 <sup>57</sup> /64)	610 (24 <sup>1</sup> /64)	620 (24 <sup>13</sup> /32)	770 (30 <sup>5</sup> /16)
SEN (ESEN0911, ESEN0977)	90 (3 <sup>35</sup> /64)	140 (5 <sup>33</sup> /64)	440 (17 <sup>21</sup> /64)	565 (22 <sup>1</sup> /4)	580 (22 <sup>53</sup> /64)	730 (28 <sup>47</sup> /64)



Note



La vasca deve essere installata su un pavimento perfettamente piano.  
The bathtub must be positioned on a flat floor surface.

E' necessario predisporre a pavimento un pozzetto.  
It is necessary to prepare a recess in the floor.

Evitare di realizzare impianti di riscaldamento nell'area sottostante la vasca.  
Avoid the installation of floor heating plants in the area under the bathtub.