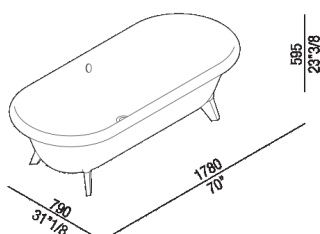




Bathtub with waste and overflow connection
in chrome finish
AVAS0969_

Benedini Associati, 2010

Free-standing bathtub in Cristalplant®
biobased inspired by the shapes of the past.




Classical bathtub made from Cristalplant® biobased, available in white or two coloured (exterior in dark grey RAL7021 or light grey RAL7044) outside, with feet of the same material. Supplied with external waste and external overflow connection .MET01516 and .MET6500R for built-in bathtub (available chrome, brushed chrome or brushed burnished finish) also suitable for bathtubs in display; without tap holes. Taps can be wall or floor mounted. The two-coloured model can be made in colours chosen by the client with a surcharge of 15% on the price of the two-coloured finish.

Finishes

-  White/dark grey
-  White/light grey
-  White
-  Brushed burnished
-  Brushed
-  Chrome

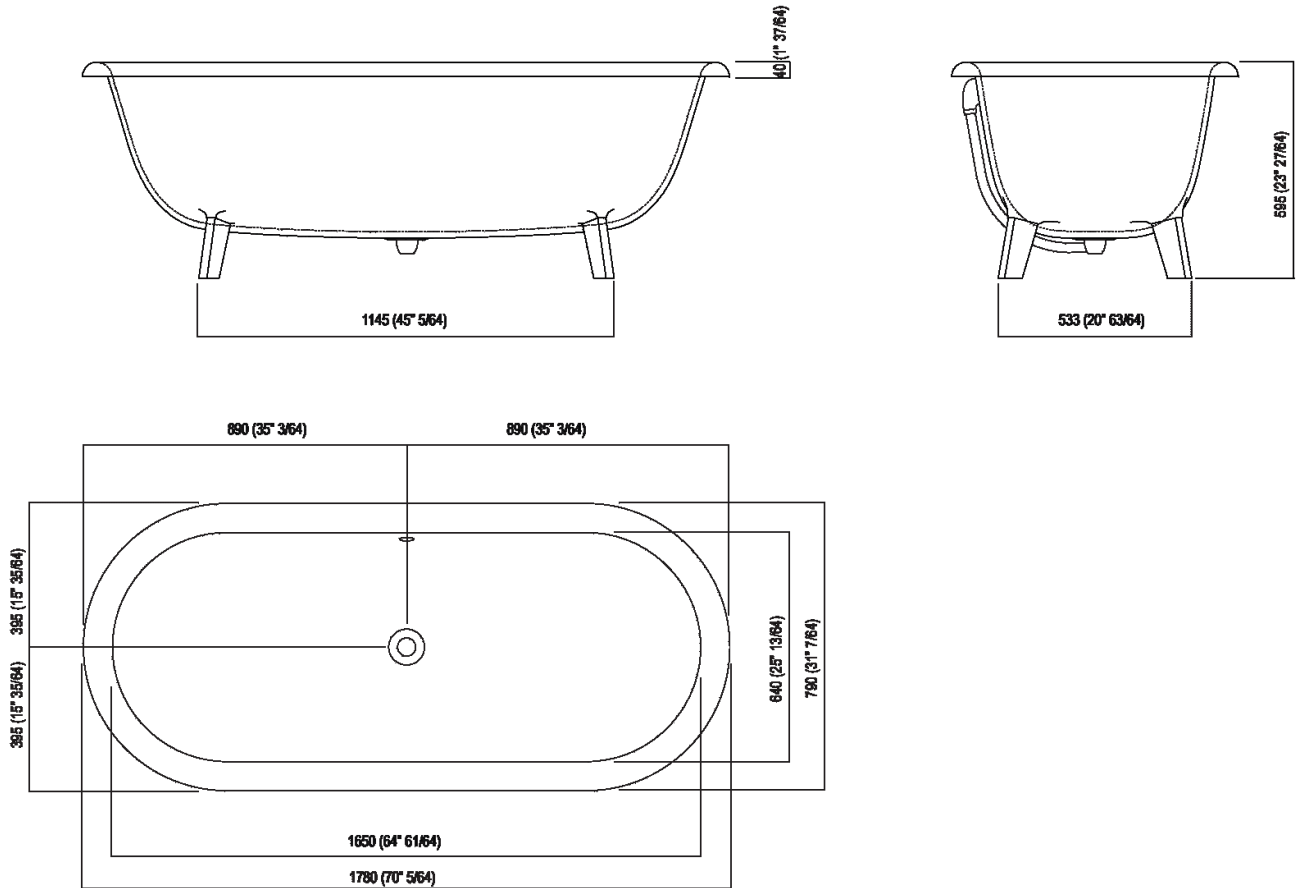
Materials

-  Cristalplant® biobased
-  Brass

Height:	59.5 cm	23" 3/8 inches
Length:	178 cm	70" inches
Weight:	54 kg	119 lbs
Depth:	79 cm	31" 1/8 inches
Capacity:	270 l	71 gal
Packaging:	92 x 191 x 70 cm	36" 2/8 x 75" 2/8 x 27" 4/8 inches
Total weight:	99 kg	218 lbs

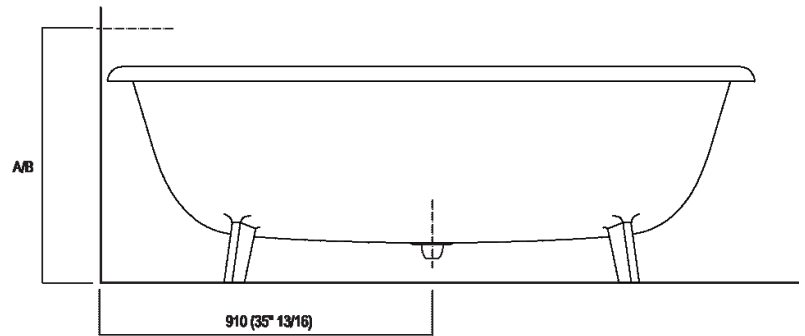
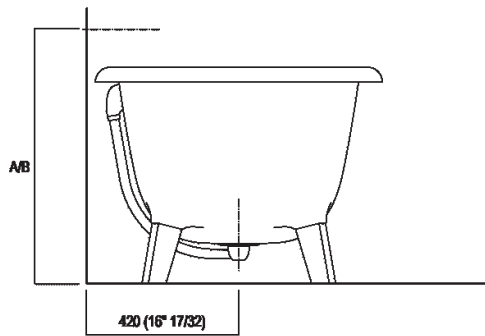


Main dimensions





Dimensions for wall mounted taps

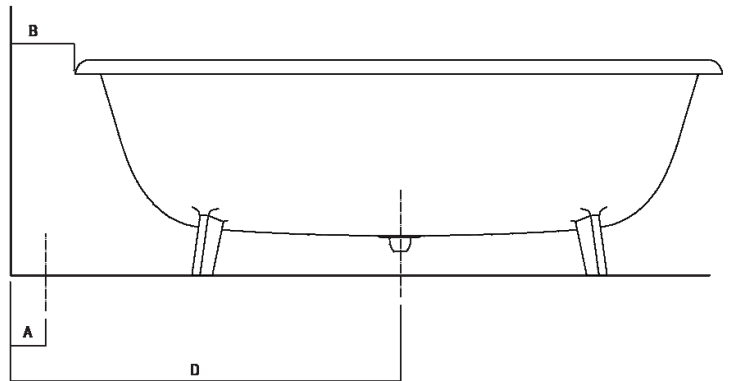
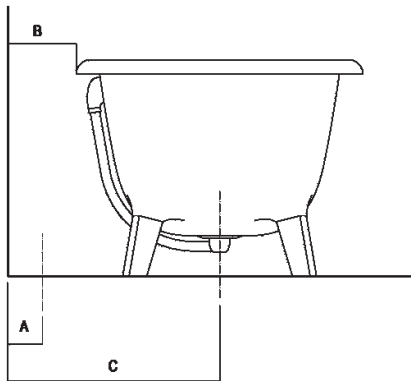


	A*	B**
FEZ (ARUB050000L, ARUB051000L, ARUB150000C, ARUB151000C, ARUB1089S, ARUB190000C, ARUB191000C, ARUB1091S)	700 (27 ¹ / ₂)	-
MEMORY (ARUB1076S, ARUB1077S, ARUB1040S)	700 (27 ¹ / ₂)	-
SQUARE (ARUB0932N, ARUB0933N, ARUB1118)	-	700 (27 ¹ / ₂)
SEN (ASEN0912V)	-	700 (27 ¹ / ₂)

* inserisse gruppo / axial distance for tap
 ** filo inferiore gruppo / Tap's lower edge



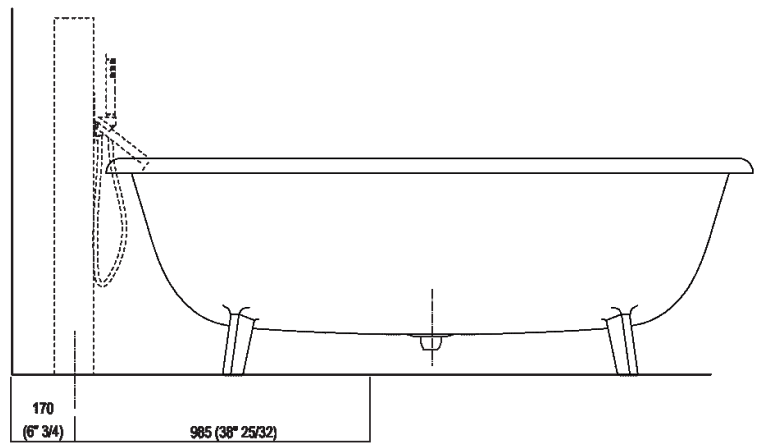
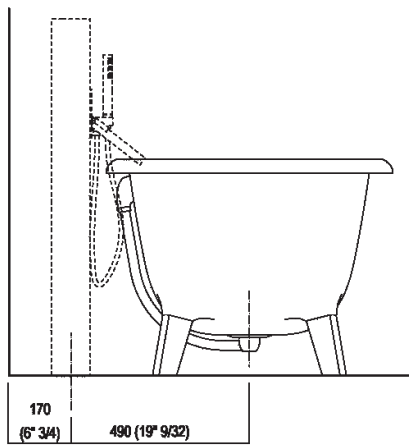
Dimensions for freestanding spouts



	A	B	C	D
FEZ (ARUB140, RAUB145, ARUB170N)	80 (3 ¹ / ₈)	165 (6 ¹ / ₂)	575 (22 ⁴¹ / ₆₄)	1070 (42 ¹ / ₈)
MEMORY (ARUB1078, ARUB1072, ARUB1033)	80 (3 ¹ / ₈)	165 (6 ¹ / ₂)	575 (22 ⁴¹ / ₆₄)	1070 (42 ¹ / ₈)
SQUARE (ARUB0961L, ARUB0934L, ARUB0935NL, ARUB0936NL, ARUB0952L, ARUB1024N, ARUB1112, ARUB1115)	80 (3 ¹ / ₈)	165 (6 ¹ / ₂)	575 (22 ⁴¹ / ₆₄)	1070 (42 ¹ / ₈)
SEN (ASEN0911)	80 (3 ¹ / ₈)	125 (4 ⁵⁹ / ₆₄)	520 (20 ¹⁵ / ₃₂)	1015 (39 ¹⁵ / ₁₆)

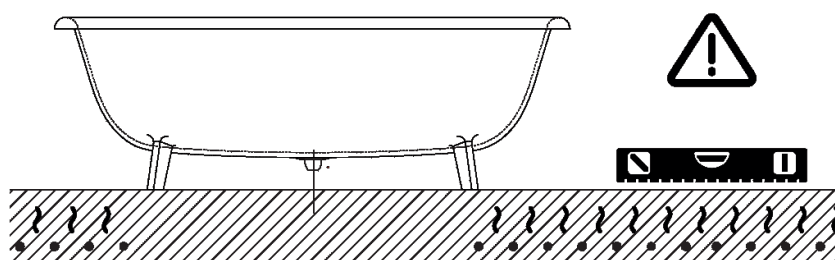


Dimensions for tap support





Note



**La vasca deve essere installata su un pavimento perfettamente piano.
The bathtub must be positioned on a flat floor surface.**

**Evitare di realizzare impianti di riscaldamento nell'area sottostante la vasca.
Avoid the installation of floor heating plants in the area under the bathtub.**



Quote per scarico

