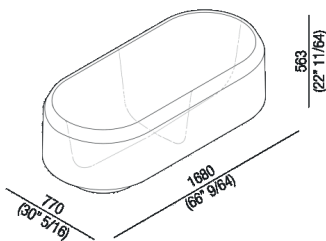




Bathtub with external band in marble  
 AVAS1080Z\_

Patricia Urquiola, 2015

Cristalplant® biobased compact  
 free-standing bathtub.



Bathtub in white Cristalplant® with external part made of white Carrara, black Marquina or grey Carnic marble. All versions are equipped with an overflow hole and are without tap holes; this can be placed on the wall or on the ground. It is fitted with a waste with cap in white Cristalplant® .MET0725C (also suitable for bathtubs in display).&#10;

**Finishes**

-  White Carrara
-  Black Marquina
-  Grey Carnic

**Materials**

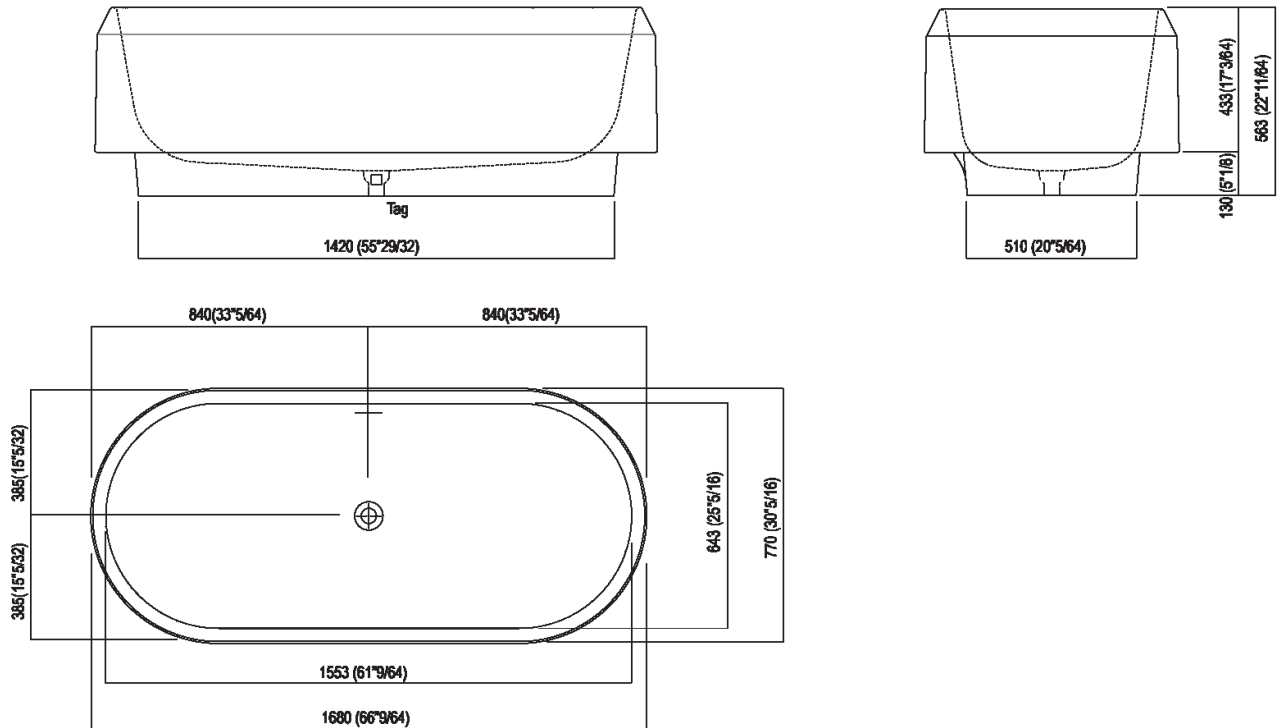
-  Marble

Height:	56.3 cm	22" 11/64 inches
Length:	168 cm	66" 9/64 inches
Weight:	110 kg	243 lbs
Depth:	77 cm	30" 5/16 inches
Capacity:	320 l	85 gal
Packaging:	100 x 200 x 82 cm	39" 3/8 x 78" 3/4 x 32" 1/4 inches
Total weight:	150 kg	331 lbs

Note: The bathtub can be delivered also in stone or marble types on demand, price to be calculated. For an easier installation of the bathtubs we recommend to use the template for the positioning of the waste trap AKITPZVAS.

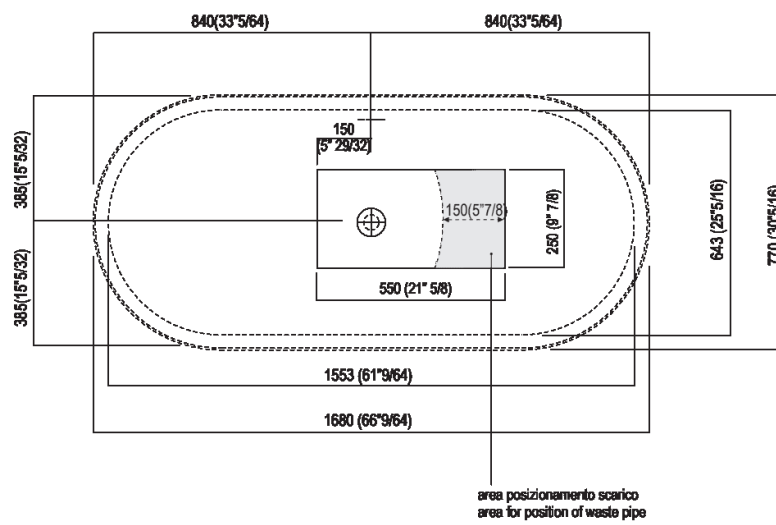


**Dimensioni principali**



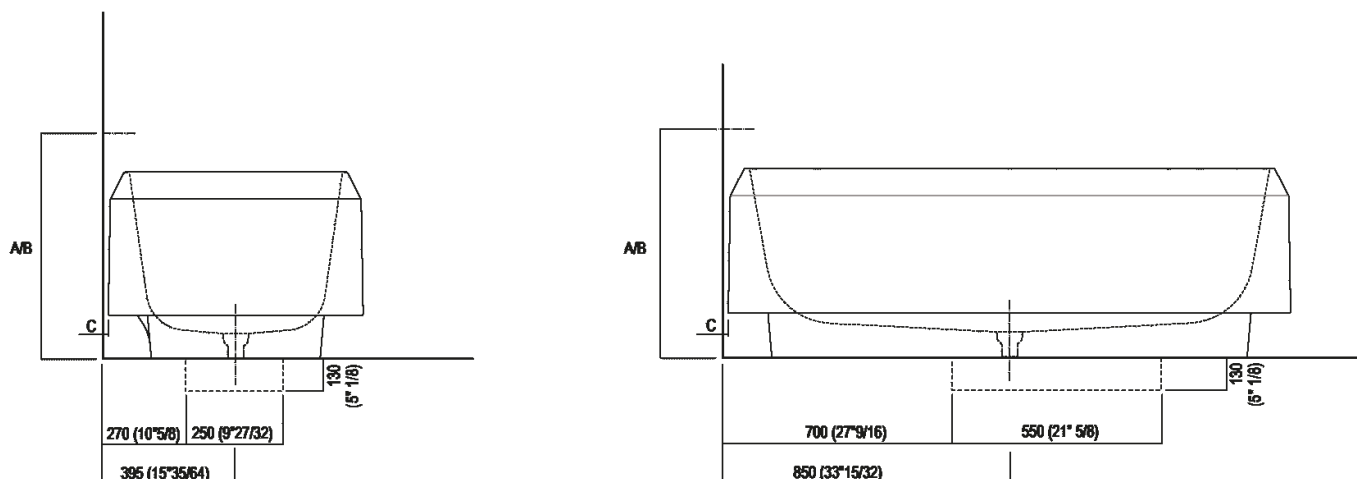


**Dimensions for recess**





Dimension for wall mounted taps

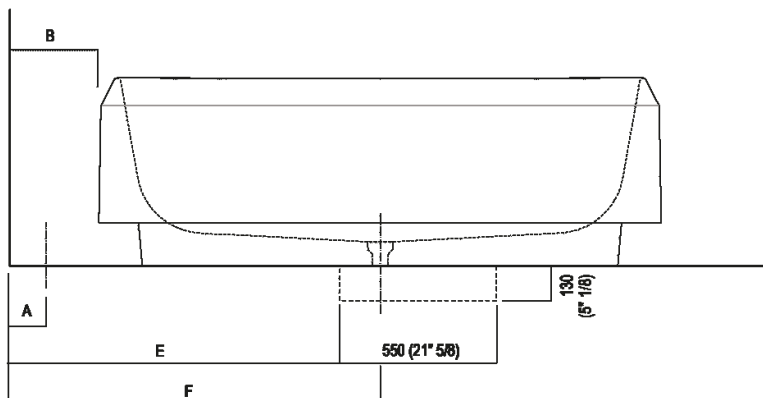
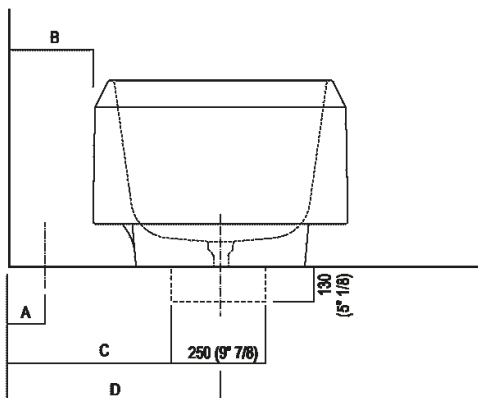


	A*	B**	C
FEZ 2 (EFEZ027)	713 (28 5/64)	-	80 (3 5/32)
LIMÓN (ELIM443)	713 (28 5/64)	-	80 (3 5/32)
MEMORY (EMEM324, EMEM343)	713 (28 5/64)	-	80 (3 5/32)
(EMEM342)	713 (28 5/64)	-	50 (1 31/32)
MEMORY MIX (EMIX437)	713 (28 5/64)	-	50 (1 31/32)
SQUARE (ERUB1117)	-	713 (28 5/64)	50 (1 31/32)
SQUARE (ERUB1118)	-	713 (28 5/64)	80 (3 5/32)
SEN (ESEN0912V)	-	713 (28 5/64)	50 (1 31/32)

\* inserisse gruppo / axial distance for tap  
\*\* filo inferiore gruppo / Tap's lower edge



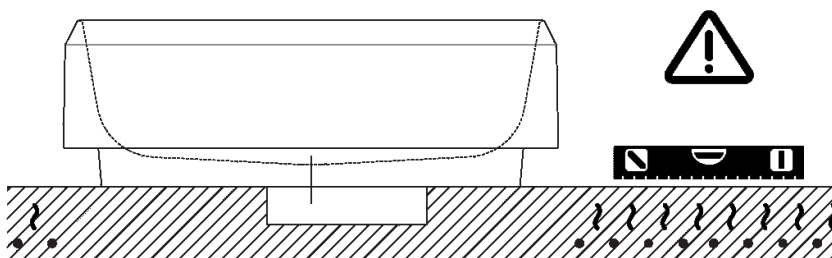
Dimensions for freestanding spouts



	A	B	C	D	E	F
FEZ 2 (EFEZ026, MET885) (EFEZ028)	90 (3 <sup>35</sup> /64) 135 (5 <sup>5</sup> /16)	170 (6 <sup>11</sup> /16) 210 (8 <sup>17</sup> /64)	430 (16 <sup>59</sup> /64) 470 (18 <sup>1</sup> /2)	555 (21 <sup>27</sup> /32) 595 (23 <sup>27</sup> /64)	735 (28 <sup>15</sup> /16) 775 (30 <sup>33</sup> /64)	1010 (39 <sup>49</sup> /64) 1050 (41 <sup>11</sup> /32)
LIMÓN (ELIM425)	135 (5 <sup>5</sup> /16)	210 (8 <sup>17</sup> /64)	470 (18 <sup>1</sup> /2)	595 (23 <sup>27</sup> /64)	775 (30 <sup>33</sup> /64)	1050 (41 <sup>11</sup> /32)
MEMORY (EMEM325)	135 (5 <sup>5</sup> /16)	210 (8 <sup>17</sup> /64)	470 (18 <sup>1</sup> /2)	595 (23 <sup>27</sup> /64)	775 (30 <sup>33</sup> /64)	1050 (41 <sup>11</sup> /32)
MEMORY MIX (EMIX425)	135 (5 <sup>5</sup> /16)	210 (8 <sup>17</sup> /64)	470 (18 <sup>1</sup> /2)	595 (23 <sup>27</sup> /64)	775 (30 <sup>33</sup> /64)	1050 (41 <sup>11</sup> /32)
LIMÓN / MEMORY / MEMORY MIX (EMEM327)	90 (3 <sup>35</sup> /64)	170 (6 <sup>11</sup> /16)	430 (16 <sup>59</sup> /64)	555 (21 <sup>27</sup> /32)	735 (28 <sup>15</sup> /16)	1010 (39 <sup>49</sup> /64)
SQUARE (ERUB1112, ERUB1115)	90 (3 <sup>35</sup> /64)	170 (6 <sup>11</sup> /16)	430 (16 <sup>59</sup> /64)	555 (21 <sup>27</sup> /32)	735 (28 <sup>15</sup> /16)	1010 (39 <sup>49</sup> /64)
SEN (ESEN0911, ESEN0977)	90 (3 <sup>35</sup> /64)	130 (5 <sup>1</sup> /8)	390 (15 <sup>23</sup> /64)	515 (20 <sup>9</sup> /32)	695 (27 <sup>23</sup> /64)	970 (38 <sup>3</sup> /16)



Notes



**La vasca deve essere installata su un pavimento perfettamente piano.  
The bathtub must be positioned on a flat floor surface.**

**E' necessario predisporre a pavimento un pozzetto.  
It is necessary to prepare a recess in the floor.**

**Evitare di realizzare impianti di riscaldamento nell'area sottostante la vasca.  
Avoid the installation of floor heating plants in the area under the bathtub.**