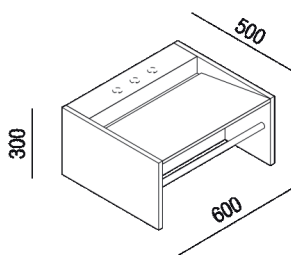




Wall mounted washbasin with towel holder 60 cm  
 ACER5060PS\_

Jean Nouvel Design, 2022

Family of washbasins made with marble slabs. The washbasins are made of white Carrara marble, grey Carnic marble or black Marquina marble, with free drainage, including fixing kits. The towel holder rods are painted white for the white Carrara finish, black for the other finishes. The washbasin does not need a waste, for the column version, the use of the .MET0519 siphon is recommended.



Height:	30 cm	11" 13/16 inches
Width:	60 cm	23" 5/8 inches
Weight:	41 kg	90 lbs
Depth:	50 cm	19" 11/16 inches
Packaging:	52,5 x 52,5 x 23 cm	20" 5/8 x 20" 5/8 x 9" 1/16 inches
Total weight:	56 kg	123 lbs

Note: The washbasin can be delivered also in stone or marble types on demand, price to be calculated.

**Finishes**



White Carrara



Grey Carnico



Black Marquina

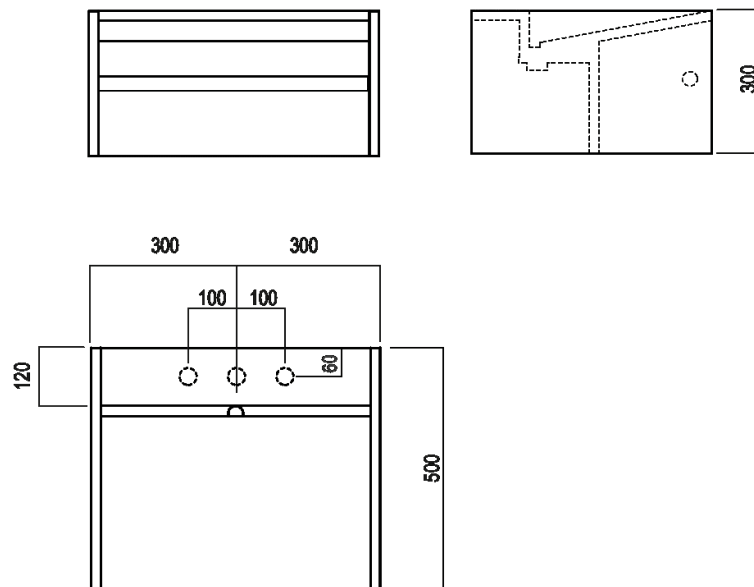
**Materials**



Marble

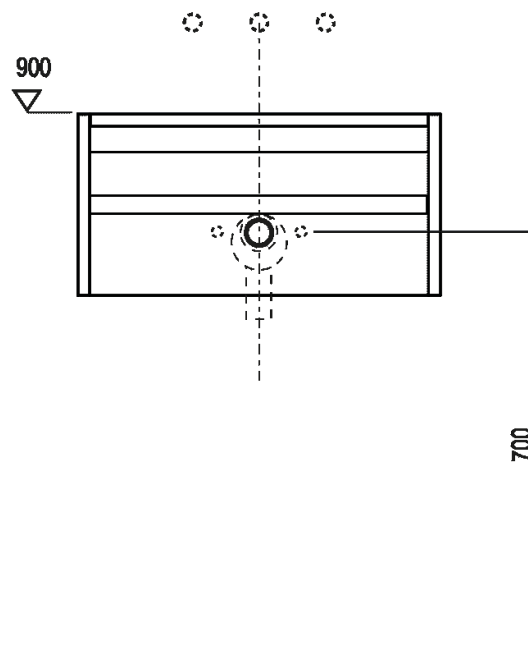


Main dimensions





Installation notes



Scarico per sifone a bottiglia / Drain for bottle trap  
Scarico per sifone ad incasso .PLA0456 + AKIT0731 /  
Drain for concealed waste trap .PLA0456 + AKIT0731

\*h.consigliata / advised h.