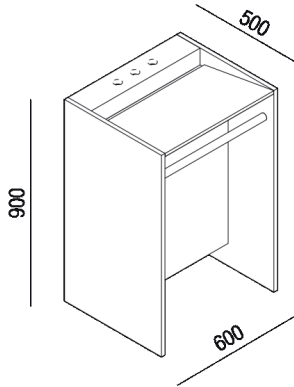







Washbasin with towel holder, wall or floor drainage  
 ACER5060FP06\_

Jean Nouvel Design, 2022



**Finishes**

-  White Carrara
-  Grey Carnico
-  Black Marquina

**Materials**

-  Marble

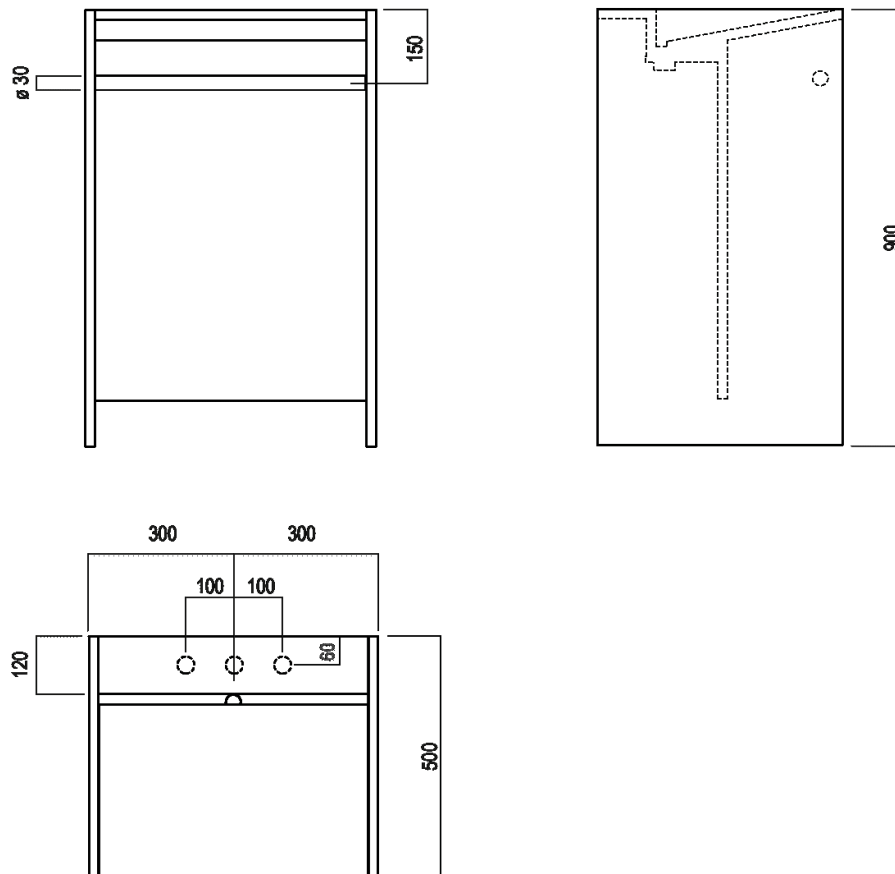
Face &#224; Face is a family of washbasins made of marble slabs. The washbasin is made of white Carrara marble, grey Carnico marble or black Marquina marble, with free drain, including fixing kit. The towel rod is painted white for the Carrara white finish, black for the other finishes. The washbasin does not require a drain, the siphon .MET0519 is recommended.

Height:	90 cm	35" 7/16 inches
Width:	60 cm	23" 5/8 inches
Weight:	100 kg	220 lbs
Depth:	50 cm	19" 11/16 inches
Packaging:	93 x 63 x 52 cm	36" 5/8 x 24" 3/4 x 20" 1/2 inches
Total weight:	155 kg	341 lbs

Note: The washbasin can be delivered also in stone or marble types on demand, price to be calculated.

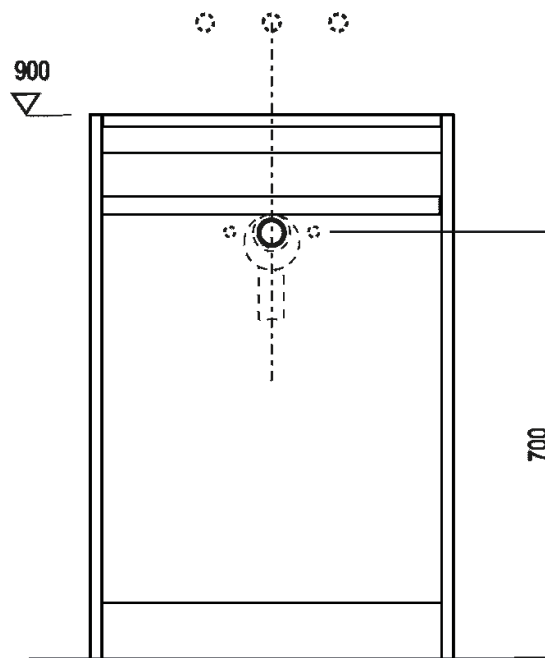


Main dimensions





Installation notes



Scarico per sifone a bottiglia / Drain for bottle trap  
Scarico per sifone ad incasso .PLA0456 + AKIT0731 /  
Drain for concealed waste trap .PLA0456 + AKIT0731

\*h.consigliata / advised h.