

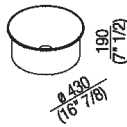


Built-in washbasin

ACER1061IZ

design Benedini Associati, 2010

Built-in washbasin in white Exmar with a wide basin.



**Finiture**



White

**Materiali**



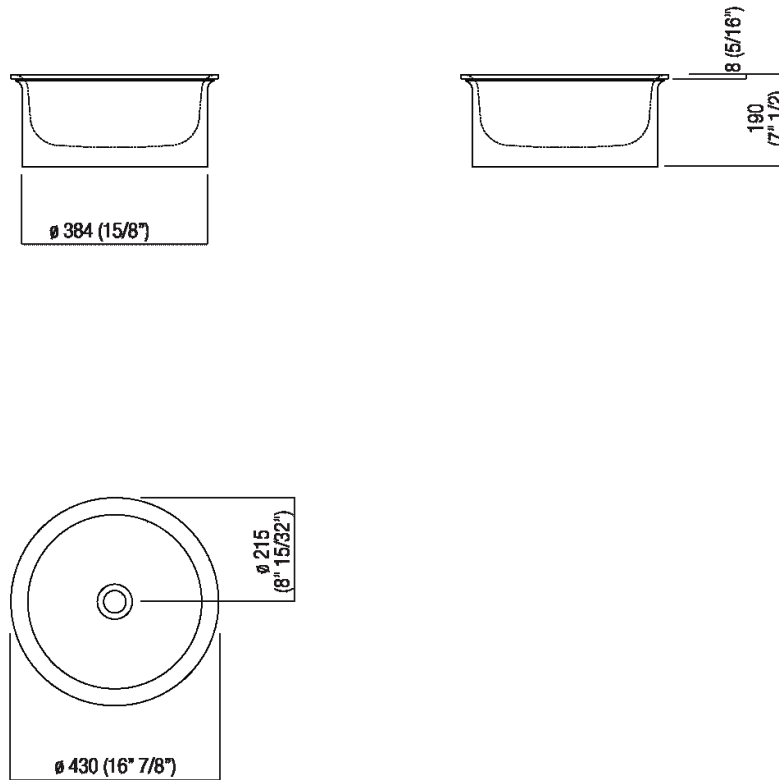
Exmar

Circular built-in washbasin in white Exmar, without tap hole and overflow. Designed for waste .MET0563. Installing the basin on the Flat XL top with 50 cm depth combined with the Plus washbasin supporting storage unit is not possible. Insertion on the Flat XL top in marble is not possible. Given the chromatic diversity is not recommended insertion on the Cristalplant® top.

Altezza:	19 cm	7" 1/2 inches
Diametro:	43 cm	16" 7/8 inches
Peso:	10 kg	22 lbs
Confezione:	58 x 58 x 29 cm	22" 7/8 x 22" 7/8 x 11" 3/8 inches
Peso della confezione:	13 kg	29 lbs



Main dimensions

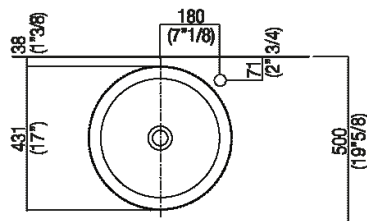




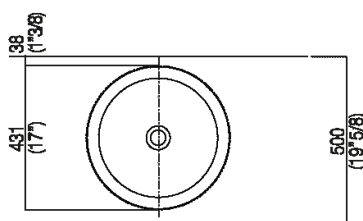
Holes for built-in washbasins and top mounted taps for top

**PIANO cm 50 / COUNTERTOP cm 50**

Posizione standard per rubinetto su piano  
Standard position for top mounted tap



Posizione standard per rubinetto a parete  
Standard position for wall mounted tap



Posizione speciale per rubinetto Sen a parete e Square con bocca curva  
Special position for wall mounted tap Sen and Square white curved spout

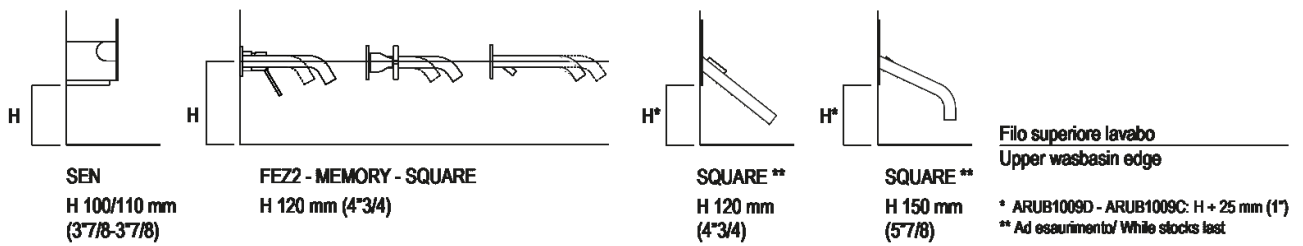
**NON NECESSARIA  
NOT NECESSARY**



**Tap position, recommended height**

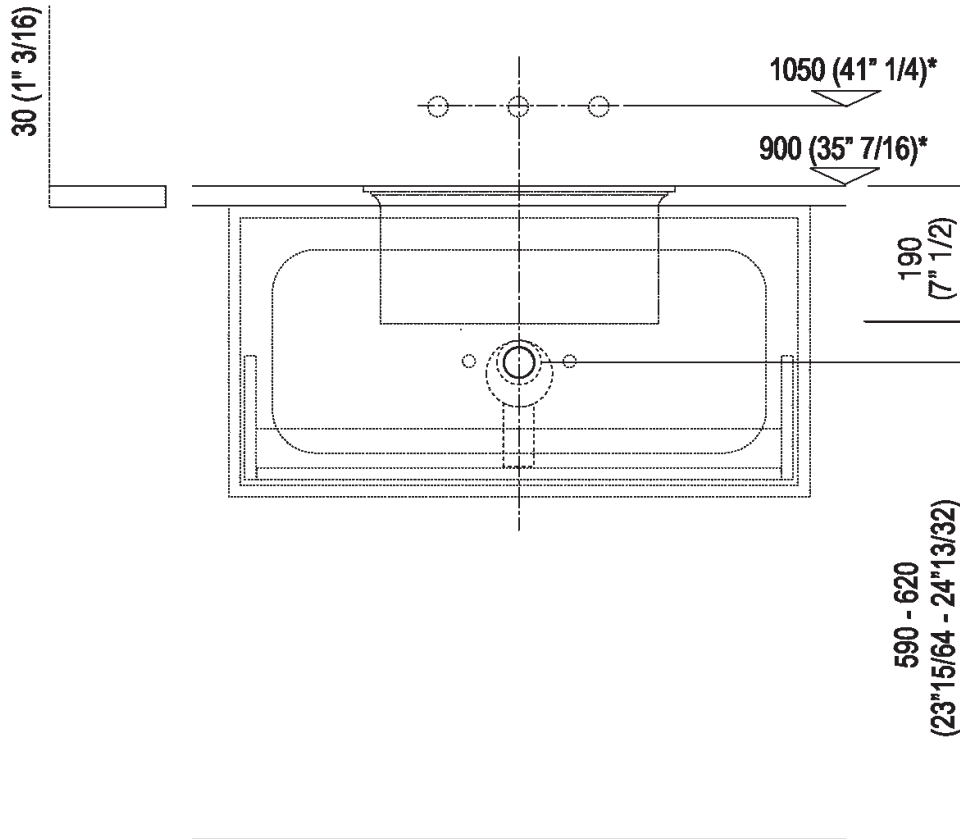
**POSIZIONE RUBINETTERIA / TAP POSITION**

Altezza consigliata / Recommended height





Installation notes: countertop to be rested on cabinet with thickness cm 3 (1"3/16)

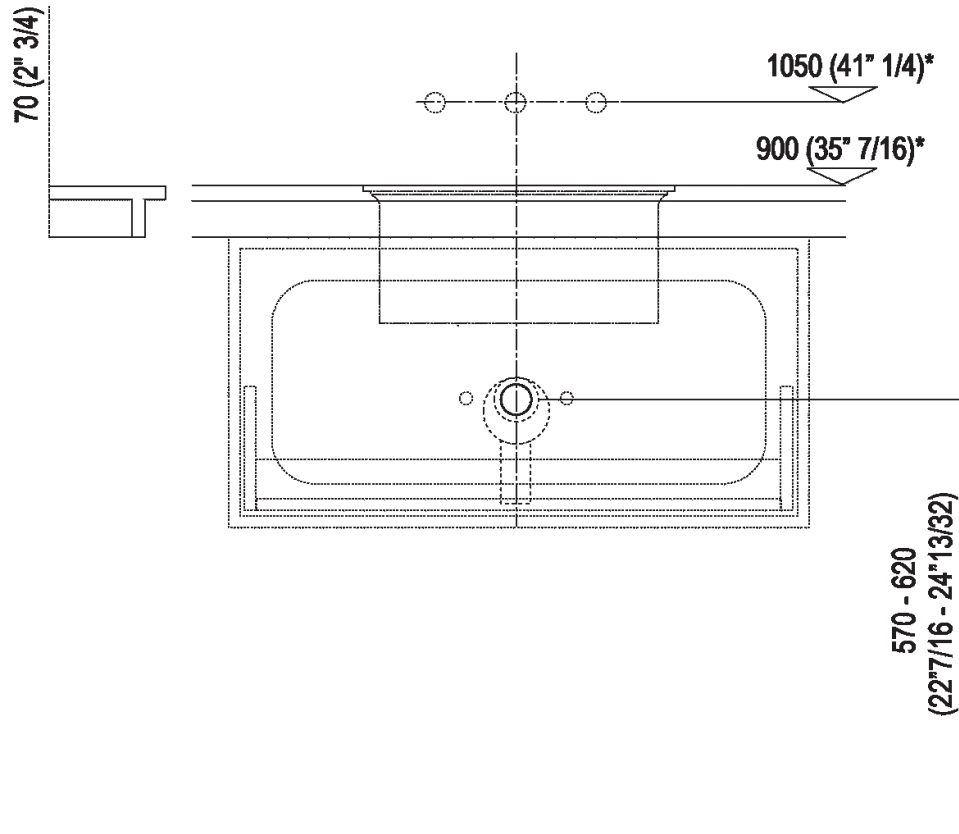


**Scarico per sifone a bottiglia e ad incasso**  
**Drain for bottle trap and concealed waste trap**

**\*h.consigliata / advised h.**



Installation notes: countertop to be rested on cabinet with thickness cm 6 (2"3/8)

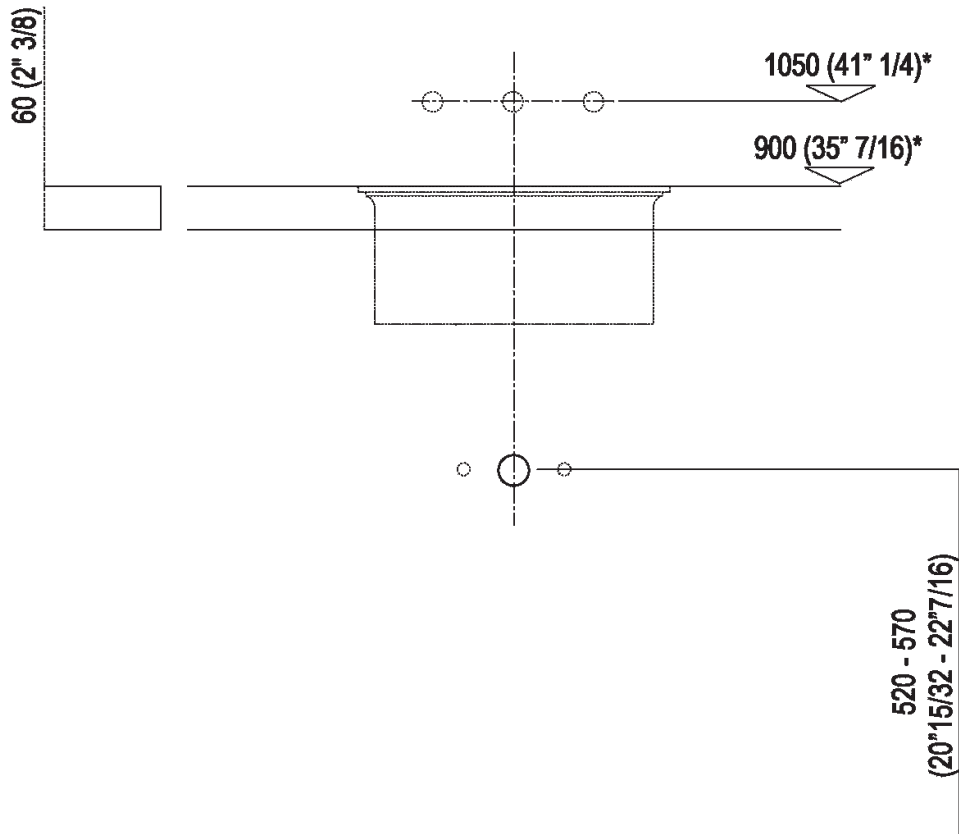


**Scarico per sifone a bottiglia e ad incasso**  
**Drain for bottle trap and concealed waste trap**

\*h.consigliata / advised h.



Installation notes: countertop with concealed wall fixings/freestanding with thickness cm 6 (2"3/8)

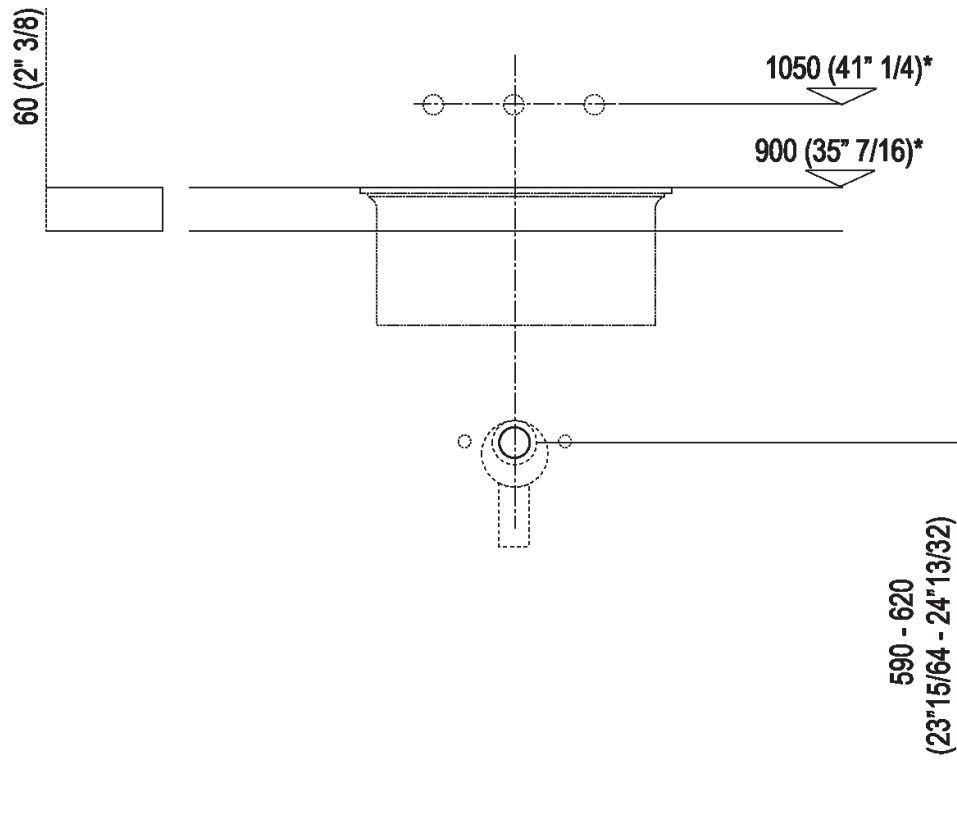


**Scarico per sifone a bottiglia**  
**Drain for bottle trap**

\*h.consigliata / advised h.



**Installation notes: countertop with concealed wall fixings/freestanding with thickness cm 6 (2"3/8)**



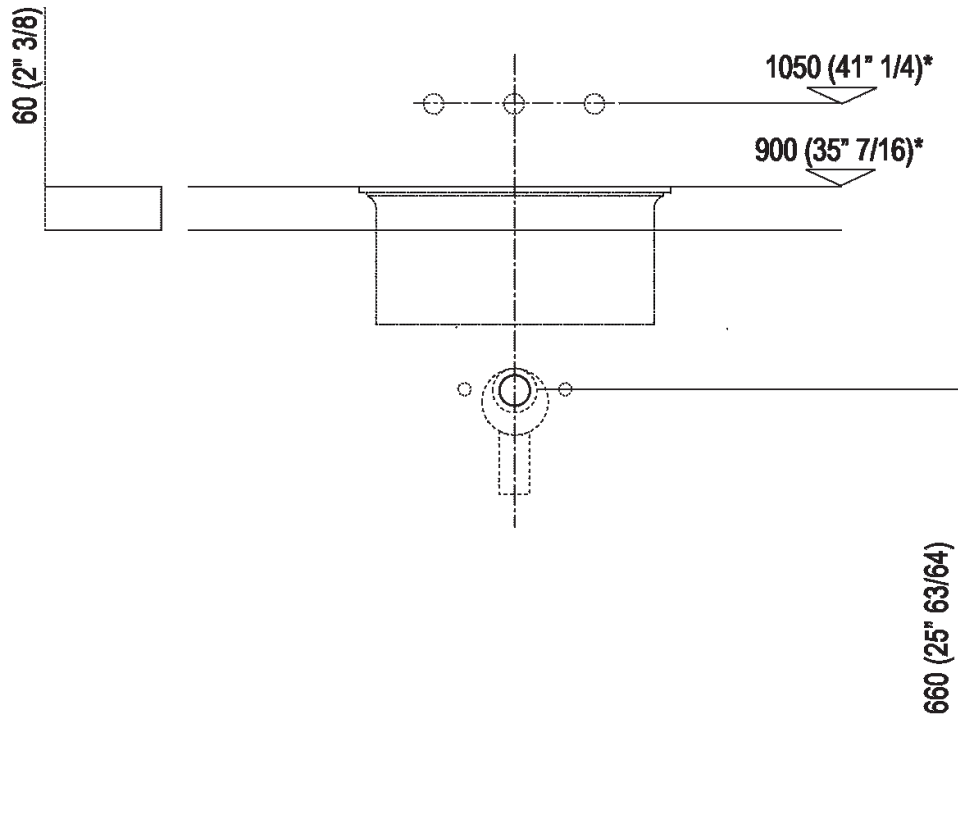
**Scarico per sifone ad incasso**  
**Drain for concealed waste trap**

**\*h.consigliata / advised h.**





**Installation notes: countertop with concealed wall fixings/freestanding with thickness cm 6 (2"3/8)**

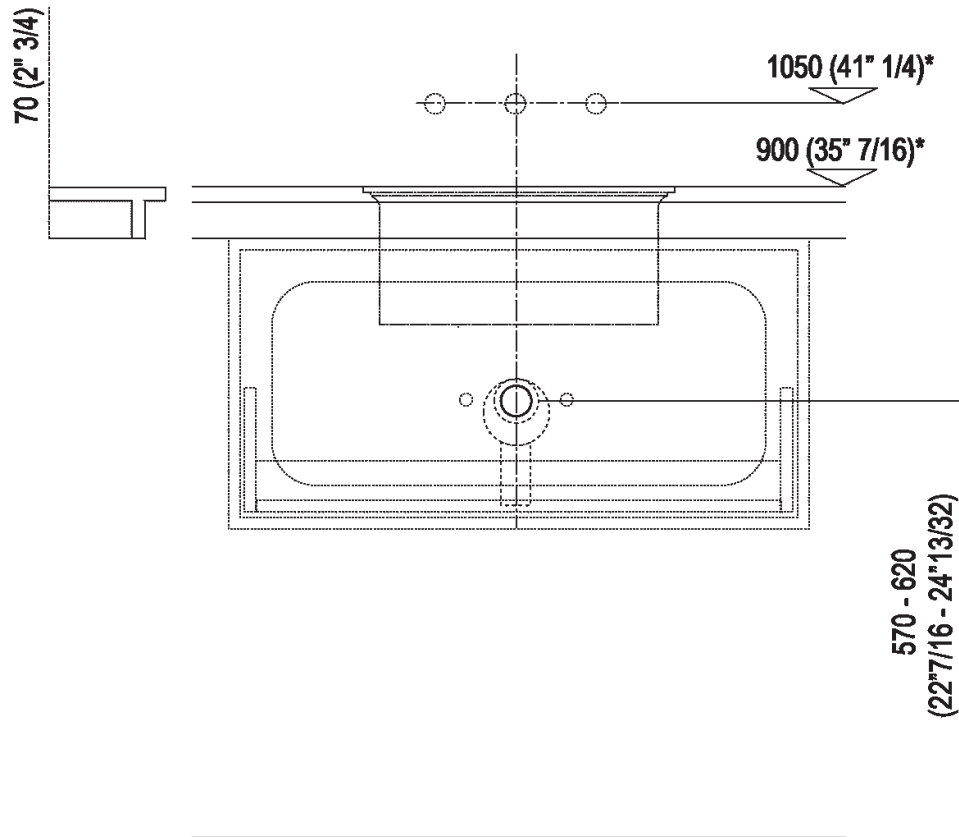


**Scarico per sifone ad incasso e piletta con canotto fisso**  
**Drain for concealed waste trap with not adjustable pipe**

**\*h.consigliata / advised h.**



**Installation notes: countertop Evoluzione**



**Scarico per sifone a bottiglia e ad incasso**  
**Drain for bottle trap and concealed waste trap**

**\*h.consigliata / advised h.**