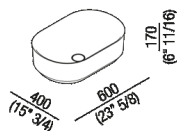




Countertop or structure washbasin
 ACER0708P_

Neri&Hu, 2018

Over countertop washbasin in Cristalplant®
 biobased.



Countertop washbasin in white or two-coloured Cristalplant® biobased (soft touch exterior in dark grey RAL7021 or light grey RAL7044), without tap hole, no overflow. The washbasin is fitted with a white Cristalplant® biobased waste with cap flush aligned with the inner surface of the washbasin.

Finiture



White



White/dark grey



White/light grey

Materiali

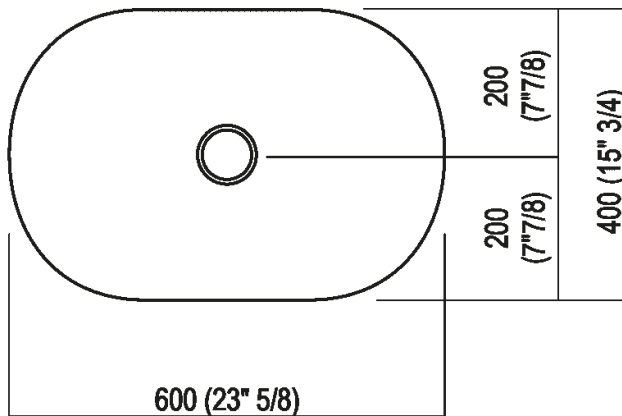
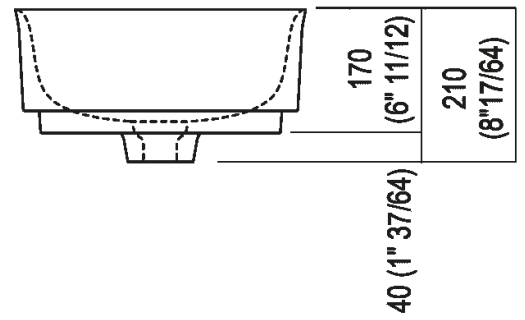
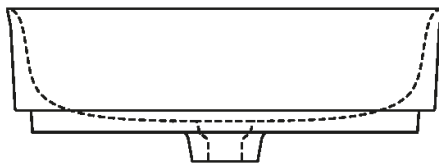


Cristalplant® biobased

Altezza:	17 cm	6" 11/16 inches
Lunghezza:	60 cm	23" 5/8 inches
Peso:	9 kg	20 lbs
Profondità :	40 cm	15" 3/4 inches
Confezione:	52 x 75 x 23 cm	20" 1/2 x 29" 1/2 x 9" inches
Peso della confezione:	14 kg	31 lbs

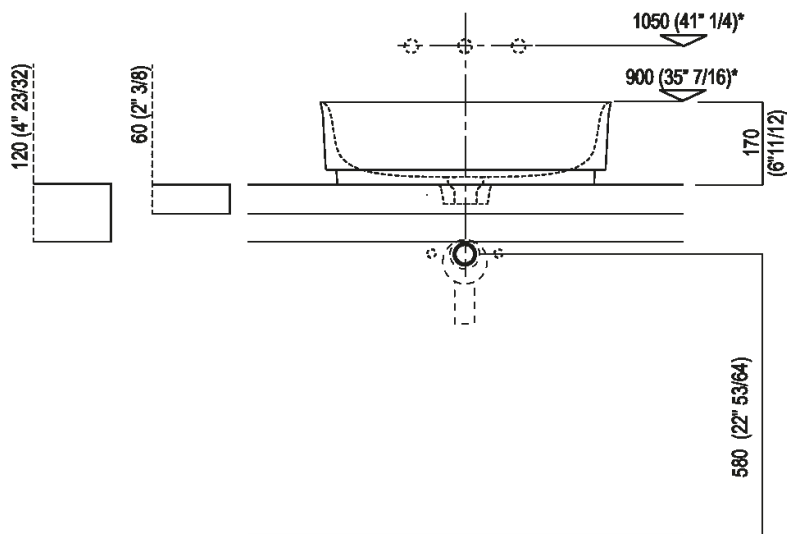


Main dimensions





Installation notes: on self-bearing countertop

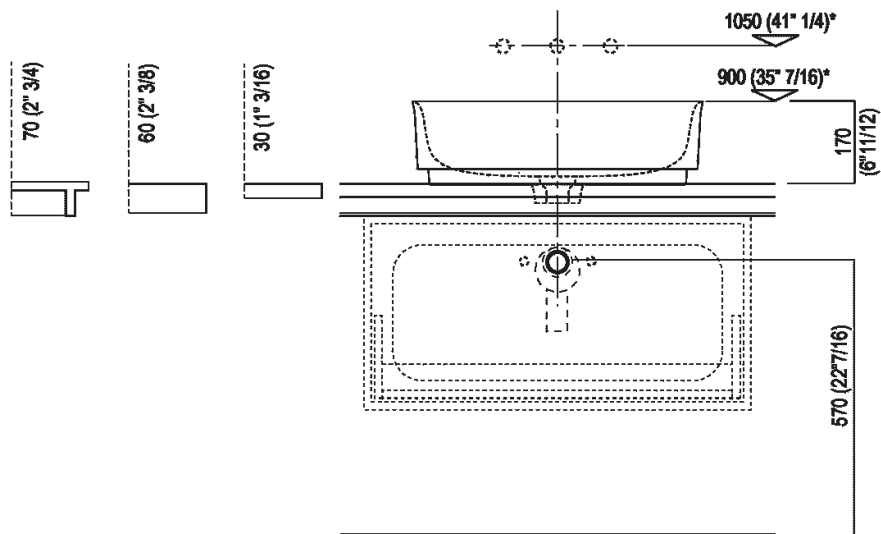


Scarico per sifone a bottiglia e ad incasso
Drain for bottle trap and concealed waste trap

*h.consigliata / advised h.



Installation notes: on countertop to be resede on cabinets

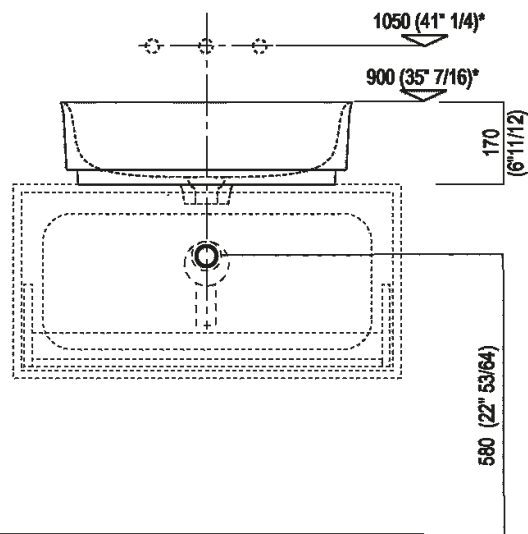


Scarico per sifone a bottiglia
Drain for bottle trap

*h.consigliata / advised h.



Installation notes: on casing H 40 cm Lato

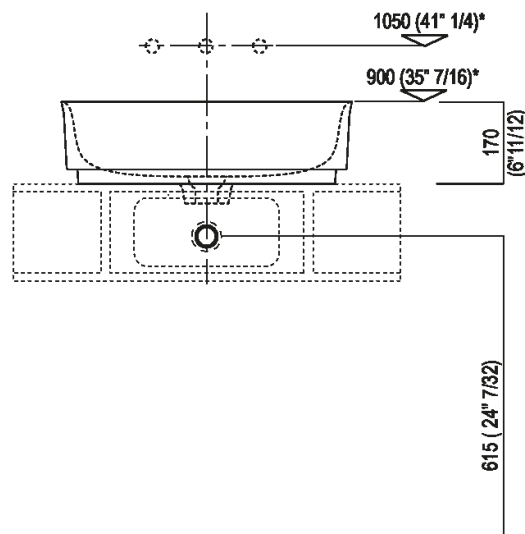


Scarico per sifone a bottiglia
Drain for bottle trap

*h.consigliata / advised h.



Installation notes: on casing H 20 cm Lato



Scarico per sifone a bottiglia
Drain for bottle trap

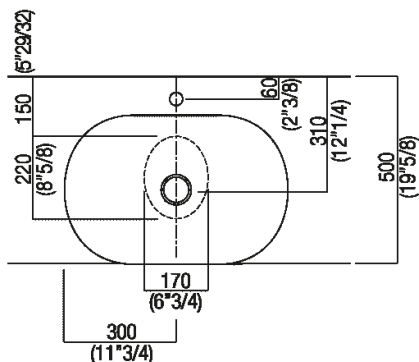
*h.consigliata / advised h.



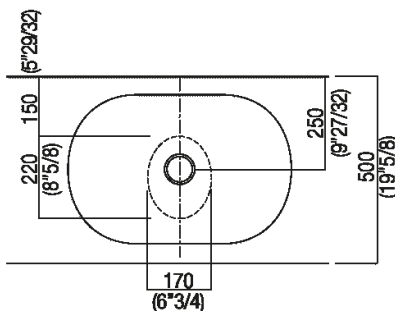
Holes for countertop washbasins and top mounted taps for top

PIANO cm 50 / COUNTERTOP cm 50

Posizione standard per rubinetto su piano
 Standard position for top mounted tap



Posizione standard per rubinetto a parete
 Standard position for wall mounted tap



Posizione speciale per rubinetto Sen a parete e Square con bocca curva
 Special position for wall mounted tap Sen and Square white curved spout

NON NECESSARIA
 NOT NECESSARY



Tap position, recommended height

POSIZIONE RUBINETTERIA / TAP POSITION

Altezza consigliata / Recommended height

