

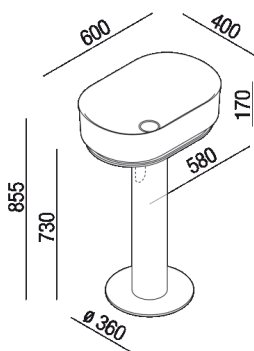


Structure for washbasin designed for wall drainage

ACER0708P_ + ACER0709PE

Neri&Hu, 2018

Free-standing washbasin in Cristalplant® biobased, suitable for small ambience.



Finiture



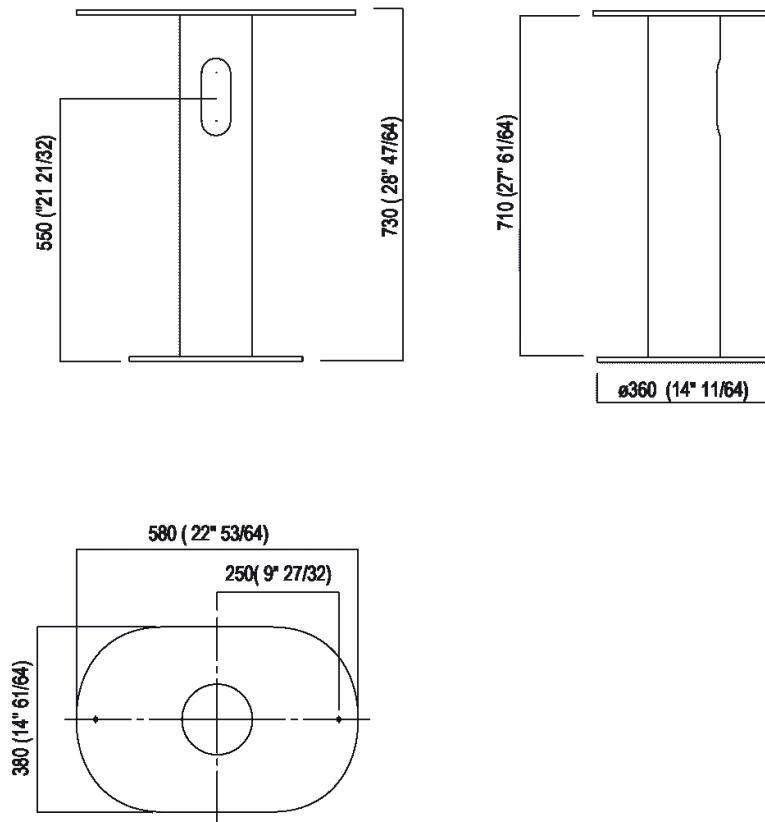
Matt black painted

Oval washbasin made of Cristalplant® biobased in a white or two-colour finish (RAL7021 dark grey or RAL 7044 light grey exterior) with a matt black-coated (RAL9005) floor-standing metallic support with no tap hole, with direct drainage. The wall-mounted version is furnished with a rear slot for water connections.

Altezza:	73 cm	28" 47/64 inches
Lunghezza:	58 cm	22" 53/64 inches
Diametro:	36 cm	14" 11/64 inches
Peso:	33 kg	73 lbs
Profondità :	38 cm	14" 61/64 inches
Confezione:	62 x 41 x 76 cm	24" 3/8 x 16" 1/8 x 39" 7/9 inches
Peso della confezione:	40 kg	88 lbs

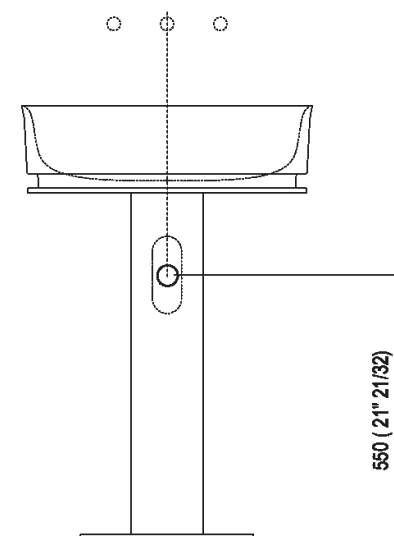


Main dimensions





Installation notes



Scarico per sifone a bottiglia
Drain for bottle trap



Tap position, recommended height

POSIZIONE RUBINETTERIA / TAP POSITION

Altezza consigliata / Recommended height

