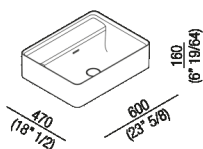




Over countertop washbasin without tap holes
 ACER0705P0R

LucidiPevere, 2018

Over countertop washbasin
 in Cristalplant® biobased.



Finiture

-  White
-  White/dark grey
-  White/light grey

Materiali

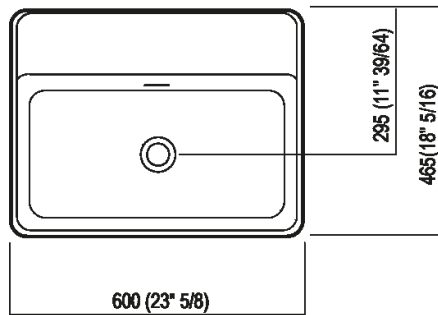
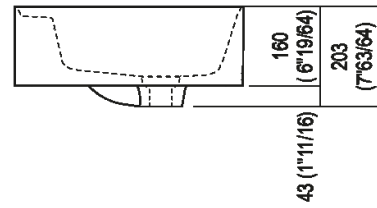
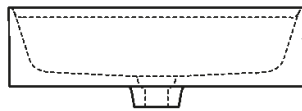
-  Cristalplant® biobased

Countertop washbasin in white or two-coloured Cristalplant® biobased (soft touch exterior in dark grey RAL7021 or light grey RAL7044), without tap hole. With overflow. The Marsiglia washbasin can be fitted with a tray in iroko wood. The washbasin is fitted with a white Cristalplant® biobased waste with cap flush aligned with the inner surface of the washbasin.

Altezza:	16 cm	6" 19/64 inches
Lunghezza:	60 cm	23" 5/8 inches
Peso:	16 kg	35 lbs
Profondità :	47 cm	18" 1/2 inches
Confezione:	56 x 72 x 30 cm	22" x 28" 3/8 x 11" 3/4 inches
Peso della confezione:	19 kg	42 lbs

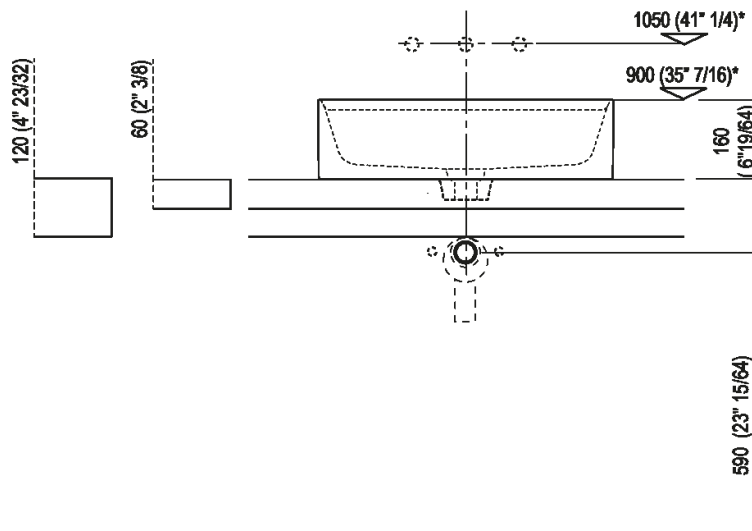


Main dimensions





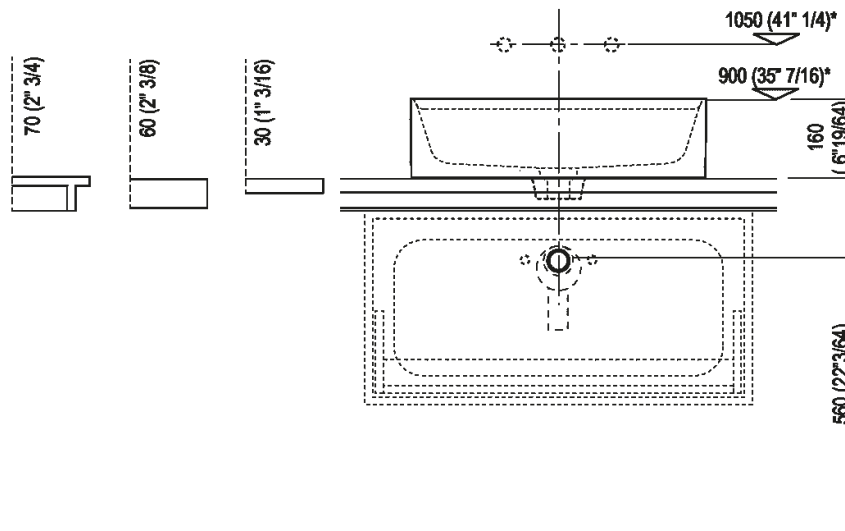
Installation notes: on self-bearing countertop



Scarico per sifone a bottiglia e ad incasso
 Drain for bottle trap and concealed waste trap
 *h.consigliata / advised h.



Installation notes: on countertop to be resede on cabinets

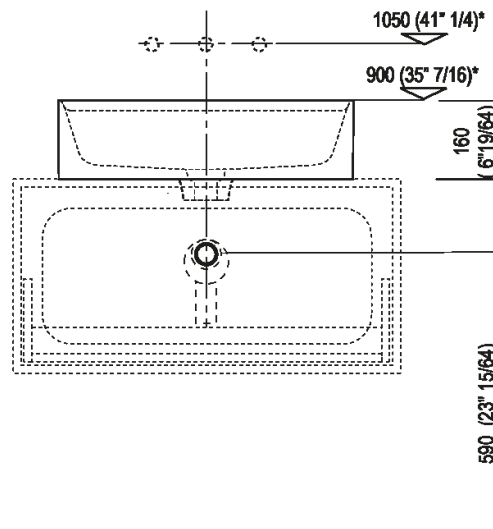


Scanico per sifone a bottiglia
 Drain for bottle trap

*h.consigliata / advised h.



Installation notes: on casing H 40 cm Lato

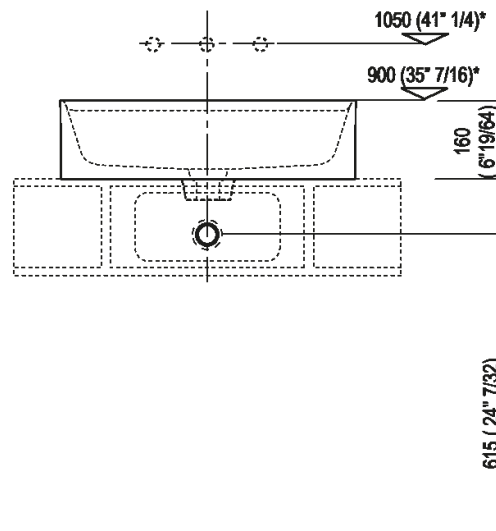


Scarico per sifone a bottiglia
Drain for bottle trap

*h.consigliata / advised h.



Installation notes: on casing H 20 cm Lato



Scarico per sifone a bottiglia
Drain for bottle trap

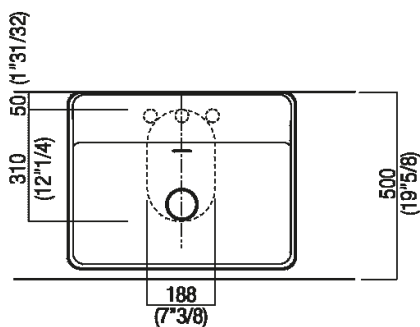
*h.consigliata / advised h.



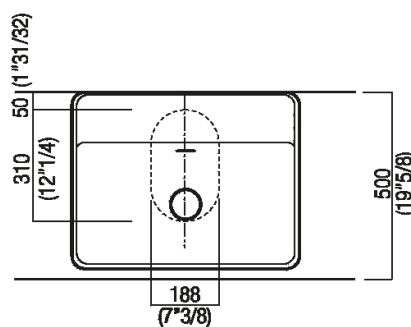
Holes for countertop washbasins and top mounted taps for top

PIANO cm 50 / COUNTERTOP cm 50

Posizione standard per rubinetto su piano
Standard position for top mounted tap



Posizione standard per rubinetto a parete
Standard position for wall mounted tap



Posizione speciale per rubinetto Sen a parete e Square con bocca curva
Special position for wall mounted tap Sen and Square white curved spout

NON POSSIBILE
NOT POSSIBLE



Tap position, recommended height

