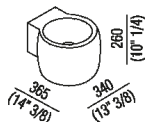




Washbasin without tap hole
 ACER0710NRZ

Benedini Associati, 1999

Washbasin in white fire clay.



Finiture



White

Materiali



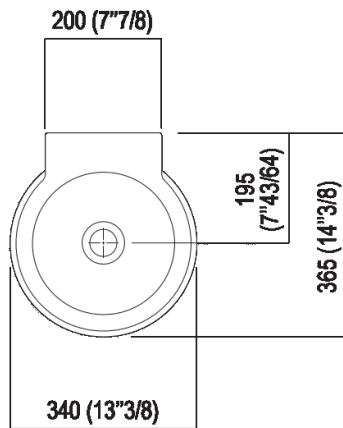
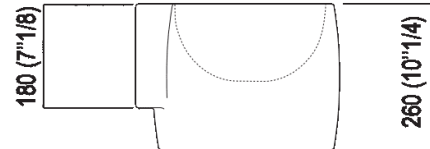
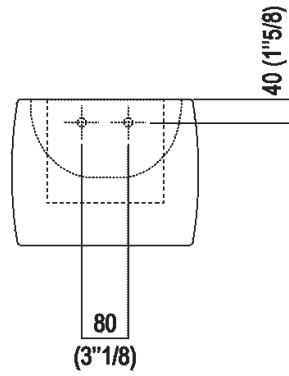
Fire clay

Circular washbasin in white fire clay with or without tap hole, without overflow, complete with fixing kit. Designed for waste .MET0563.

Altezza:	26 cm	10" 1/4 inches
Larghezza:	34 cm	13" 3/8 inches
Peso:	8.5 kg	19 lbs
Profondità :	36.5 cm	14" 3/8 inches
Confezione:	49 x 42 x 31 cm	19" 2/8 x 16" 4/8 x 12" 2/8 inches
Peso della confezione:	10 kg	22 lbs

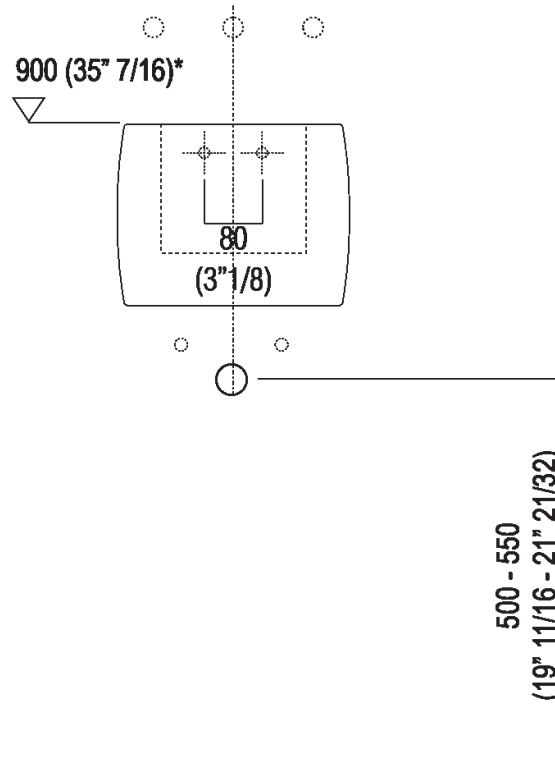


Main dimensions





Installation notes

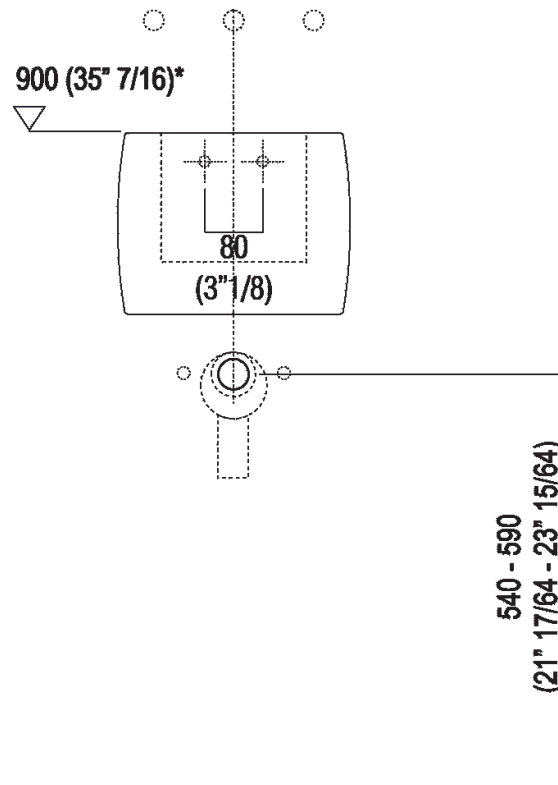


Scarico per sifone a bottiglia
Drain for bottle trap

*h.consigliata / advised h.



Installation notes



Scarico per sifone ad incasso
Drain for concealed waste trap

***h.consigliata / advised h.**



Tap position, recommended height

POSIZIONE RUBINETTERIA / TAP POSITION

Altezza consigliata / Recommended height

