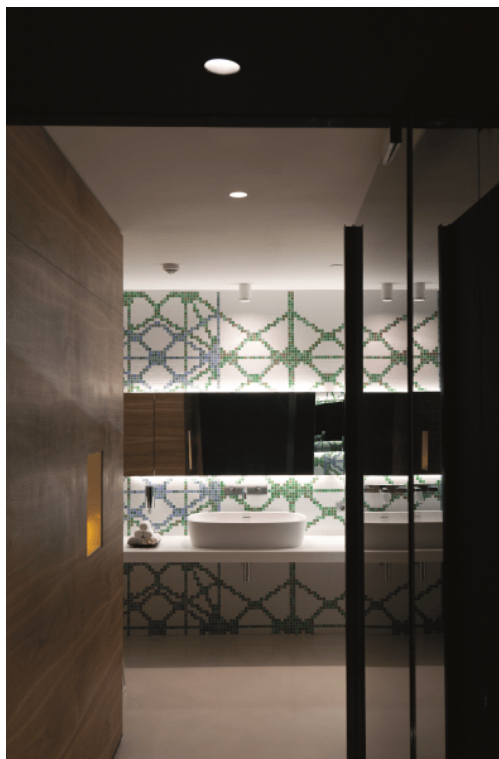
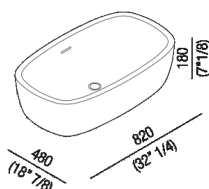




Washbasin  
 ACER0800Z

Benedini Associati, 2003

Countertop mounted washbasin made from  
 Cristalplant® biobased.



**Finiture**



White

**Materiali**



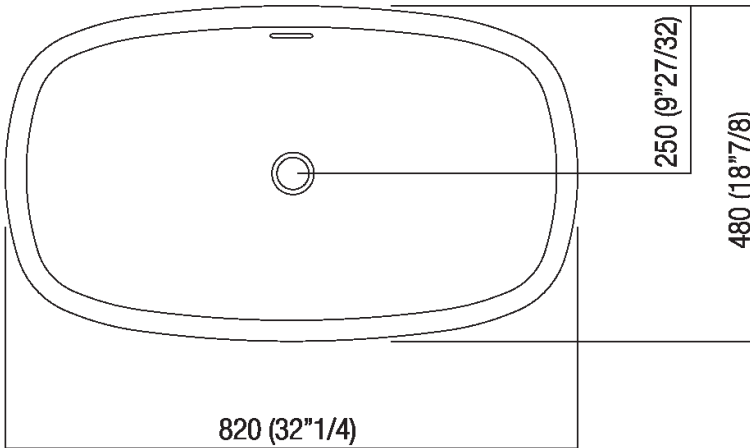
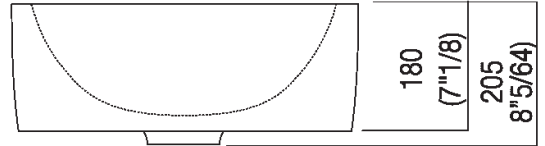
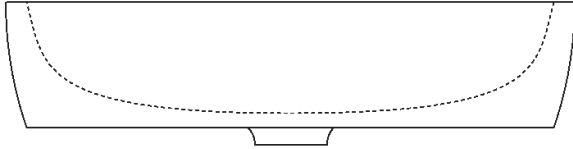
Cristalplant® biobased

Shaped over countertop washbasin made from white Cristalplant® biobased, without tap hole, with overflow hole. Designed for waste .MET0346P or .MET0562.

Altezza:	18 cm	7" 1/8 inches
Larghezza:	82 cm	32" 1/4 inches
Peso:	28 kg	62 lbs
Profondità :	48 cm	18" 7/8 inches
Capacità:	21 l	6 gal
Confezione:	51 x 85 x 23 cm	20" 1/8 x 33" 4/8 x 9" inches
Peso della confezione:	32 kg	70 lbs

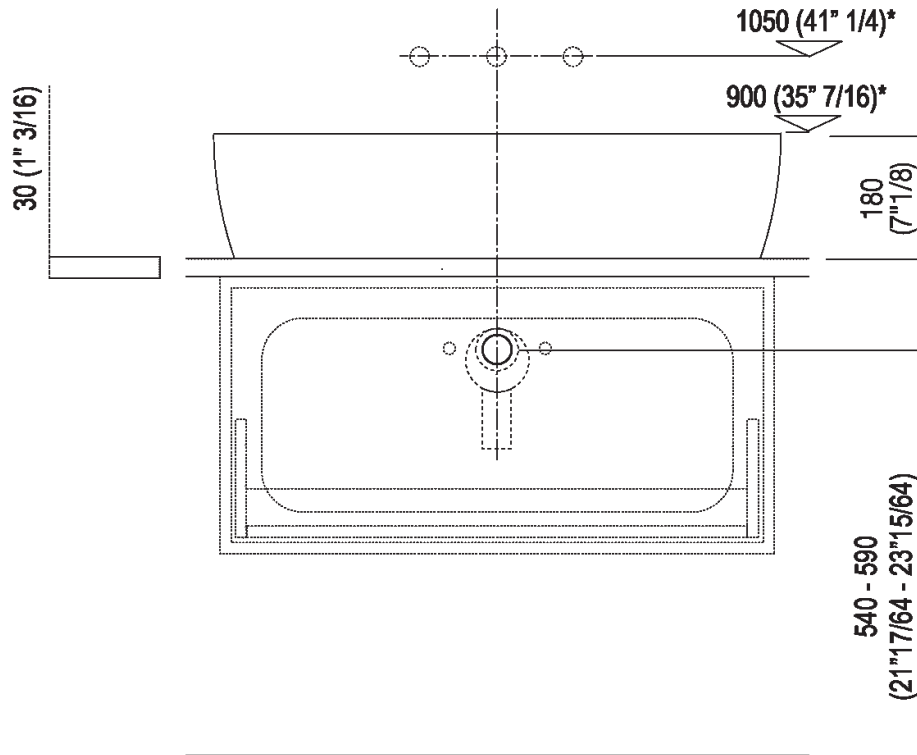


Main dimensions





Installation notes: countertop to be rested on cabinet with thickness cm 3 (1"3/16)



**Scarico per sifone a bottiglia e ad incasso**  
**Drain for bottle trap and concealed waste trap**

\*h.consigliata / advised h.



Holes for countertop washbasins and top mounted taps for top

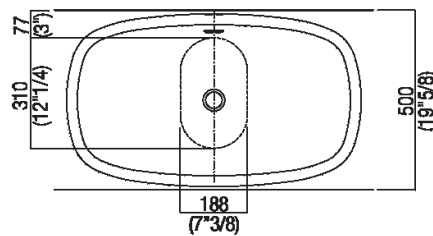
**PIANO cm 50 / COUNTERTOP cm 50**

Posizione standard per rubinetto su piano  
 Standard position for top mounted tap

Posizione standard per rubinetto a parete  
 Standard position for wall mounted tap

Posizione speciale per rubinetto Sen a parete e Square con bocca curva  
 Special position for wall mounted tap Sen and Square white curved spout

RUBINETTO SU PIANO NON POSSIBILE  
 TOP MOUNTED TAP NOT POSSIBLE



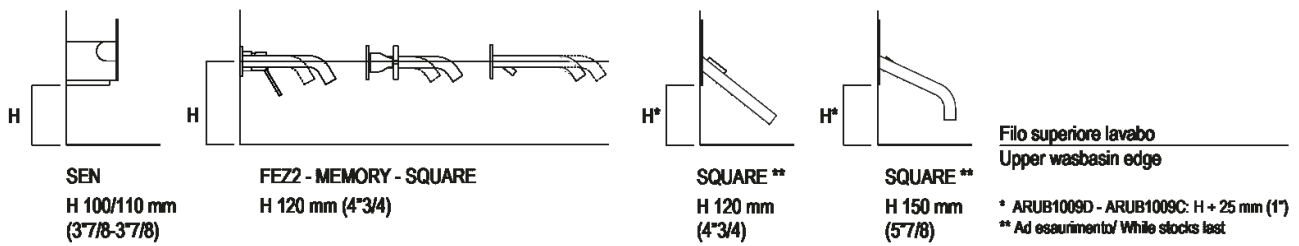
NON NECESSARIA  
 NOT NECESSARY



**Tap position, recommended height**

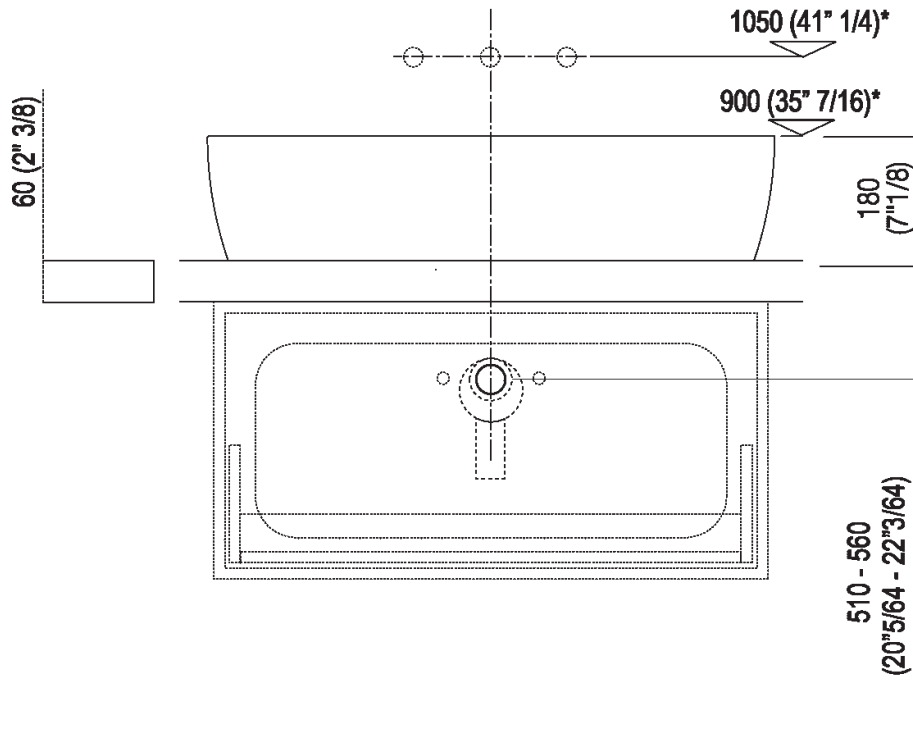
**POSIZIONE RUBINETTERIA / TAP POSITION**

Altezza consigliata / Recommended height





Installation notes: countertop to be rested on cabinet with thickness cm 6 (2"3/8)

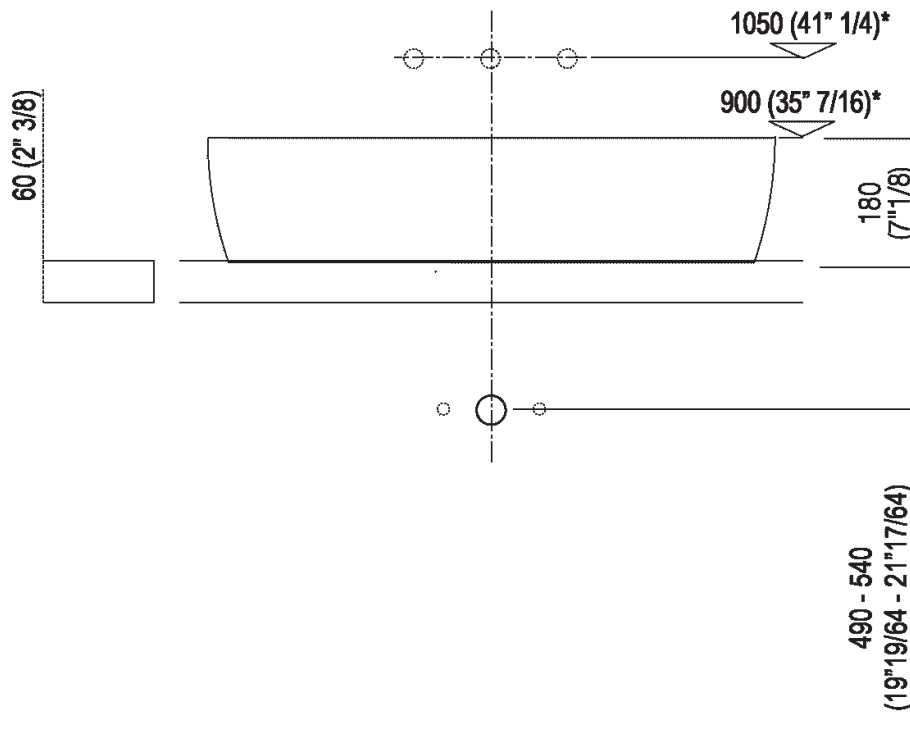


**Scarico per sifone a bottiglia e ad incasso**  
**Drain for bottle trap and concealed waste trap**

\*h.consigliata / advised h.



Installation notes: countertop with concealed wall  
fixings/freestanding with thickness cm 6 (2"3/8)

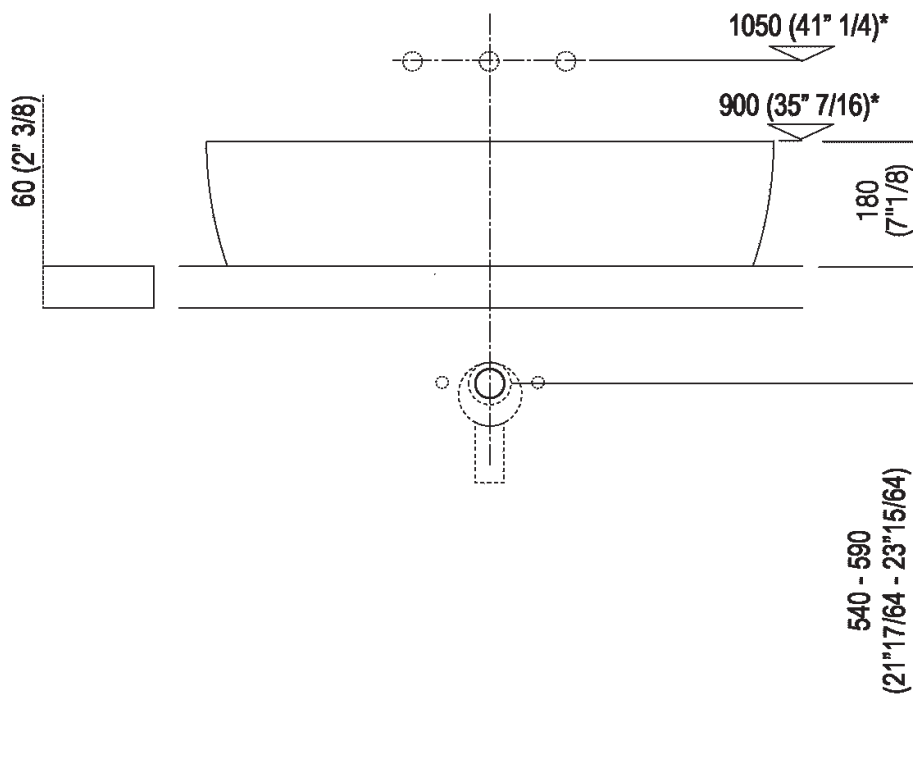


Scarico per sifone a bottiglia  
Drain for bottle trap

\*h.consigliata / advised h.



Installation notes: countertop with concealed wall  
 fixings/freestanding with thickness cm 6 (2"3/8)



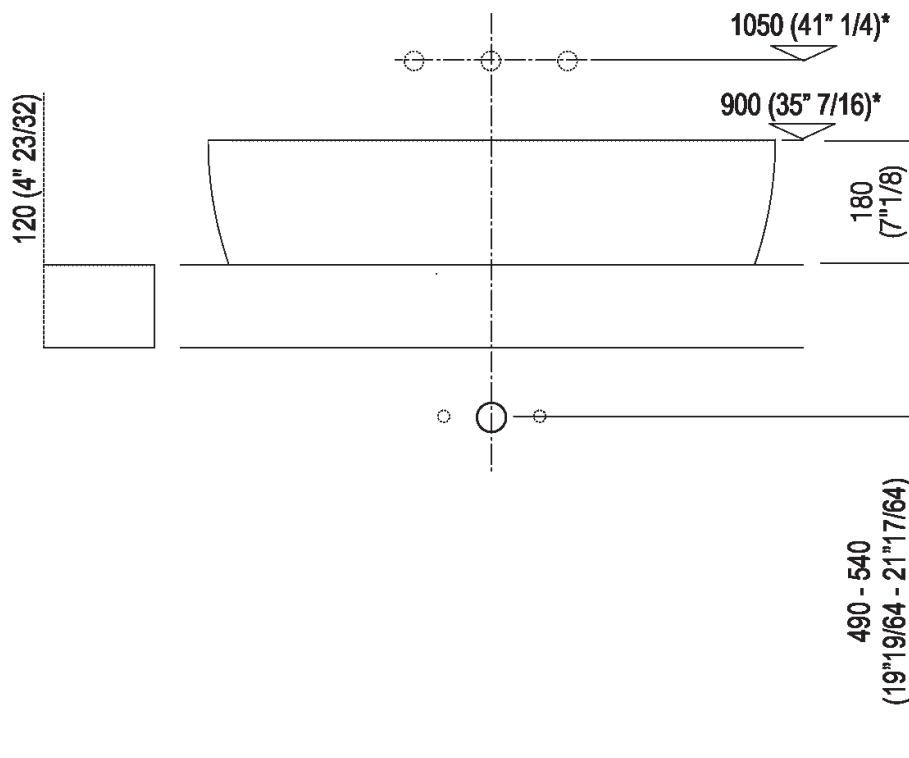
**Scarico per sifone ad incasso**  
**Drain for concealed waste trap**

\*h.consigliata / advised h.





Installation notes: countertop with concealed wall  
 fixings/freestanding with thickness cm 12 (4"23/32)

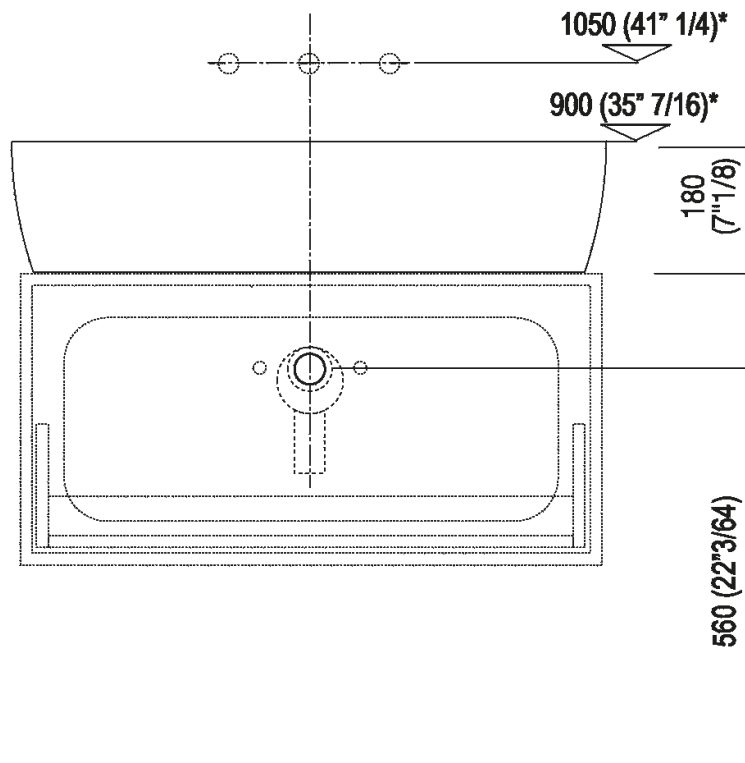


Scarico per sifone a bottiglia  
 Drain for bottle trap

\*h.consigliata / advised h.



Installation notes: on casing H 40 cm Lato

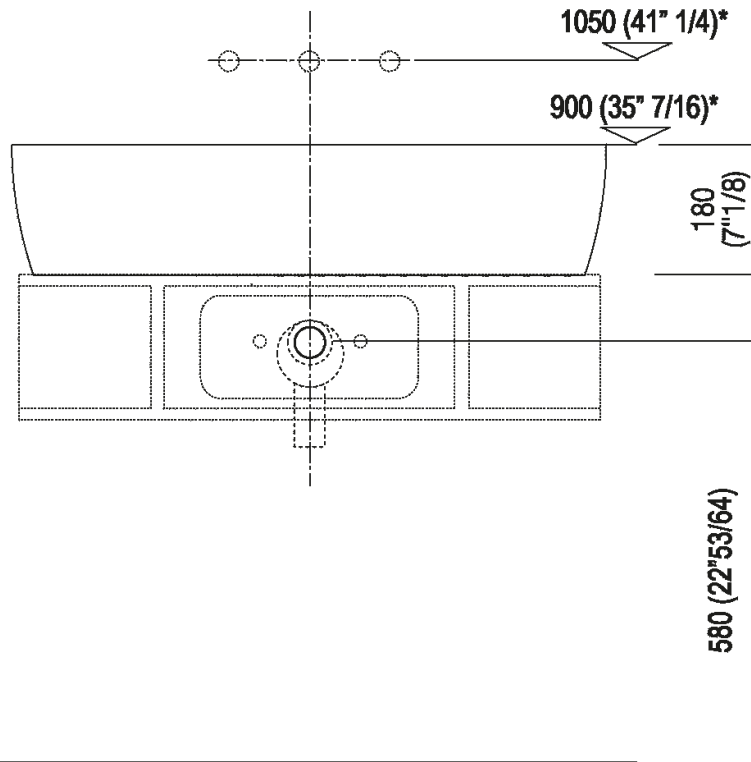


**Scarico per sifone a bottiglia e ad incasso**  
**Drain for bottle trap and concealed waste trap**

\*h.consigliata / advised h.



Installation notes: on casing H 20 cm Lato



**Scarico per sifone a bottiglia e ad incasso**  
**Drain for bottle trap and concealed waste trap**

**\*h.consigliata / advised h.**