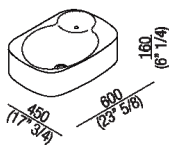




Wall mounted washbasin without tap hole  
 ACER0763M0Z

Andrea Morgante (Shiro Studio) - Shiro  
 Studio, 2010

Rectangular washbasin in Cristalplant®  
 biobased or marble.<br>



Wall mounted washbasin in white Cristalplant® biobased with overflow hole in a small basin connected with the main basin, which also can be used as a soap holder. Wall mounted version with or without tap hole. Designed for waste .MET0563. Fixing kit included. The overflow hole has a maximum capacity of 8 l/min, therefore it is advisable to install a waste designed for washbasins without overflow.

**Finiture**



White

**Materiali**

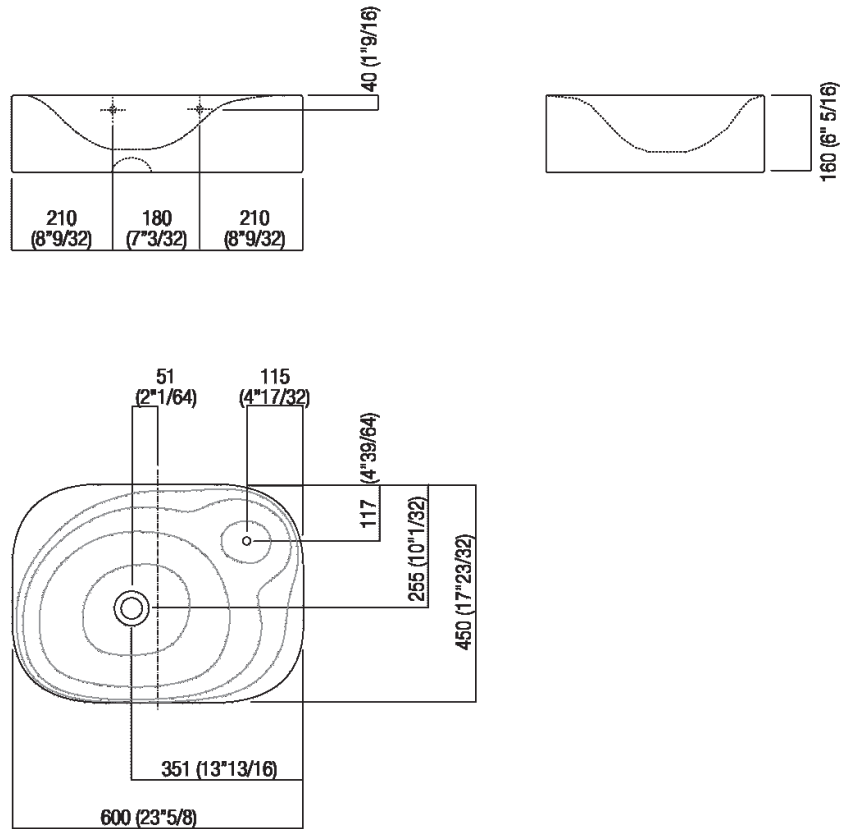


Cristalplant® biobased

Altezza:	16 cm	6" 1/4 inches
Larghezza:	60 cm	23" 5/8 inches
Peso:	13 kg	29 lbs
Profondità :	45 cm	17" 3/4 inches
Confezione:	55 x 70 x 25 cm	21"5/8 x 27"4/8 x 9"7/8 inches
Peso della confezione:	16 kg	35 lbs

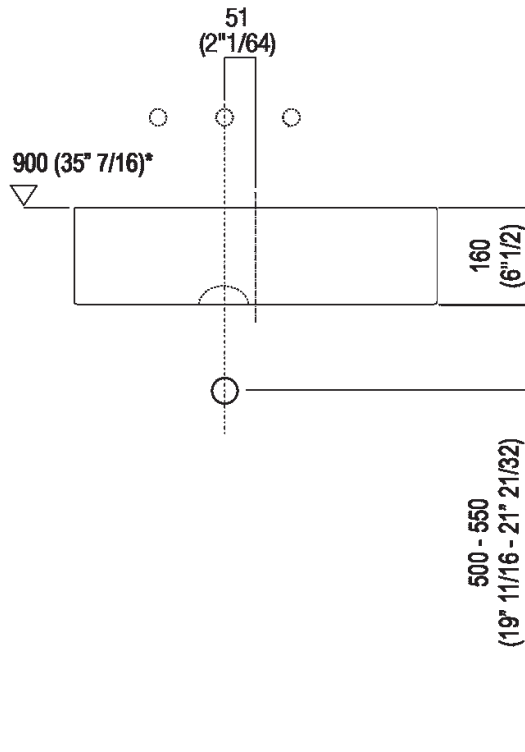


Main dimensions





Installation notes

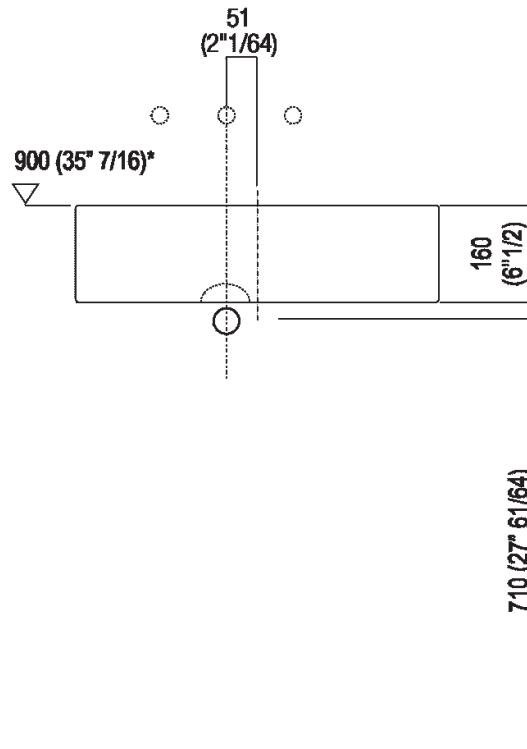


Scarico per sifone a bottiglia  
Drain for bottle trap

\*h.consigliata / advised h.



Installation notes

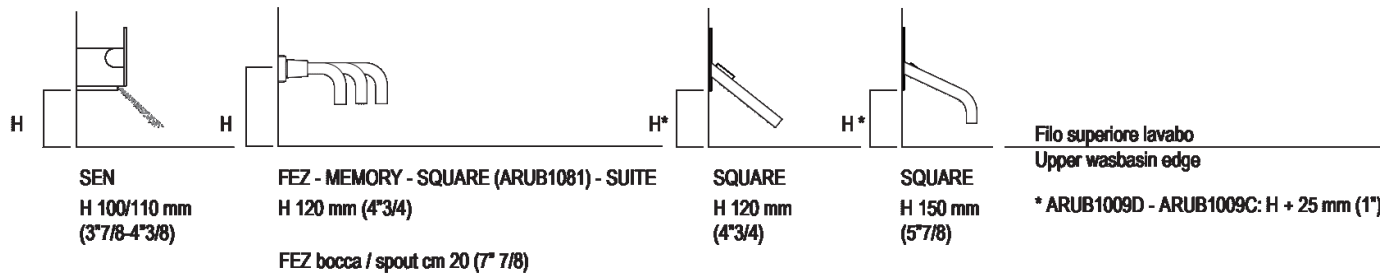


Scarico per sifone ad incasso  
Drain for concealed waste trap

\*h.consigliata / advised h.

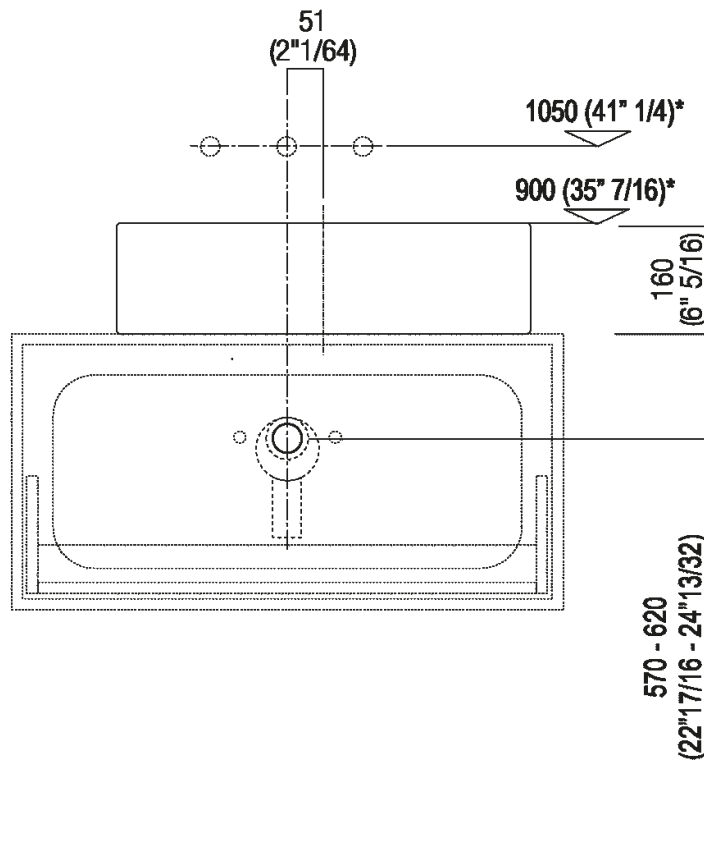


**Tap position, recommended height**





Installation notes: on casing H 40 cm Lato

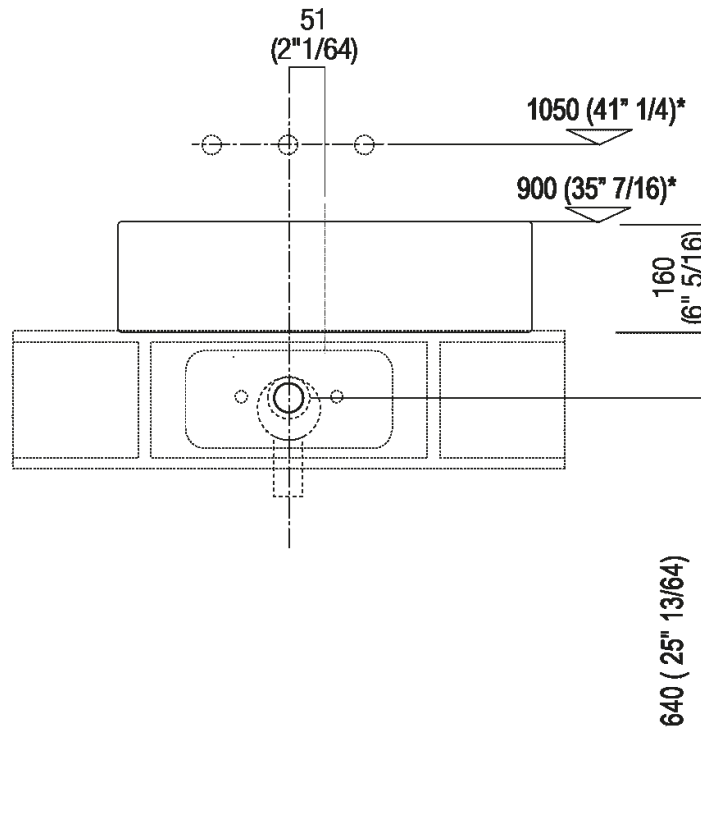


**Scarico per sifone a bottiglia e ad incasso**  
**Drain for bottle trap and concealed waste trap**

\*h.consigliata / advised h.



Installation notes: on casing H 20 cm Lato



**Scarico per sifone a bottiglia e ad incasso**  
**Drain for bottle trap and concealed waste trap**

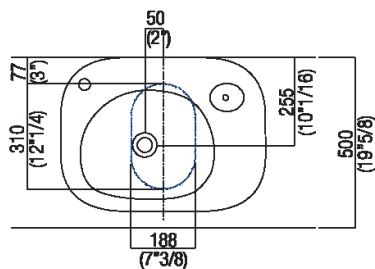
\*h.consigliata / advised h.



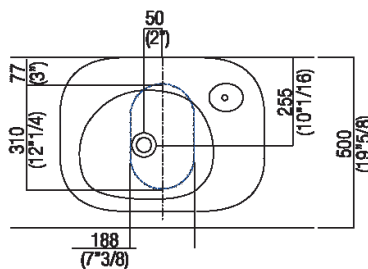
Holes for countertop washbasins and top mounted taps for top

**PIANO cm 50 / COUNTERTOP cm 50**

Posizione standard per rubinetto su piano  
Standard position for top mounted tap



Posizione standard per rubinetto a parete  
Standard position for wall mounted tap



Posizione speciale per rubinetto Sen a parete e Square con bocca curva  
Special position for wall mounted tap Sen and Square white curved spout

NON NECESSARIA  
NOT NECESSARY