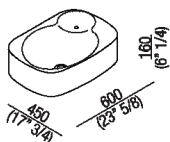




Over countertop washbasin in white
 Cristalplant® biobased without tape hole
 ACER0763P0_

Andrea Morgante (Shiro Studio) - Shiro
 Studio, 2014

White Cristalplant® biobased and marble
 over countertop washbasin.



Over countertop washbasin in marble with overflow hole in a small basin connected with the main basin, which also can be used as a soap holder. Version with or without tap hole. Designed for waste .MET0563. The overflow hole has a maximum capacity of 8 l/min, therefore it is advisable to install a waste designed for washbasins without overflow.

Altezza:	16 cm	6" 1/4 inches
Larghezza:	60 cm	23" 5/8 inches
Peso:	56 kg	123 lbs
Profondità :	45 cm	17" 3/4 inches
Confezione:	55 x 70 x 25 cm	21" 5/8 x 27" 4/8 x 9" 7/8 inches
Peso della confezione:	66 kg	146 lbs

Finiture

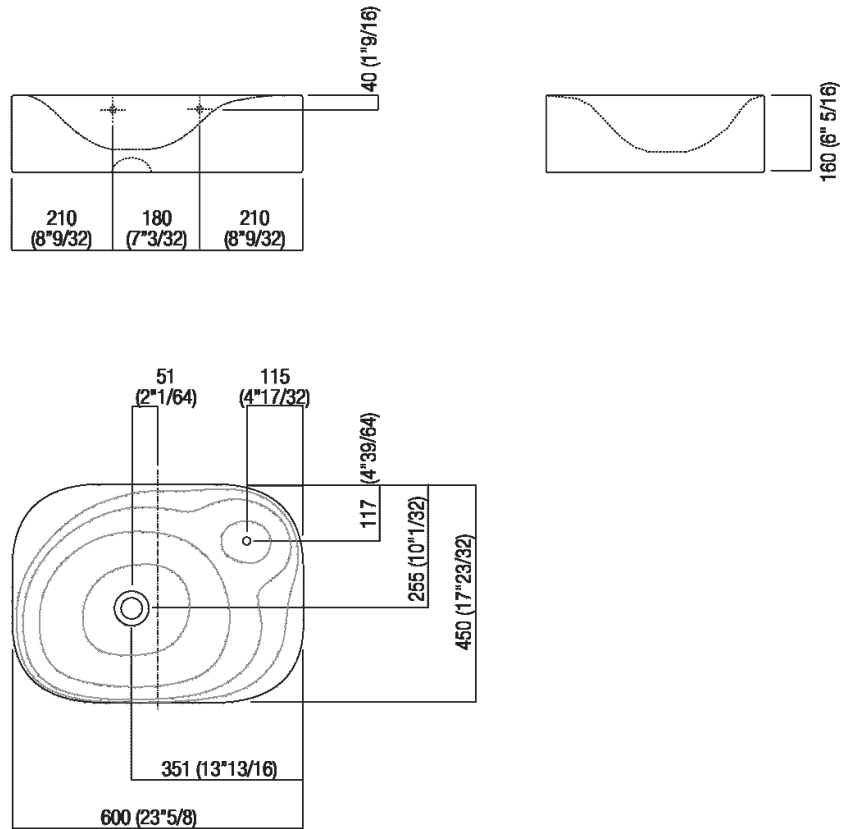
-  Black Marquina
-  Dark Emperador
-  Green Alpi
-  Grey Carnico
-  White Carrara

Materiali

-  Marble

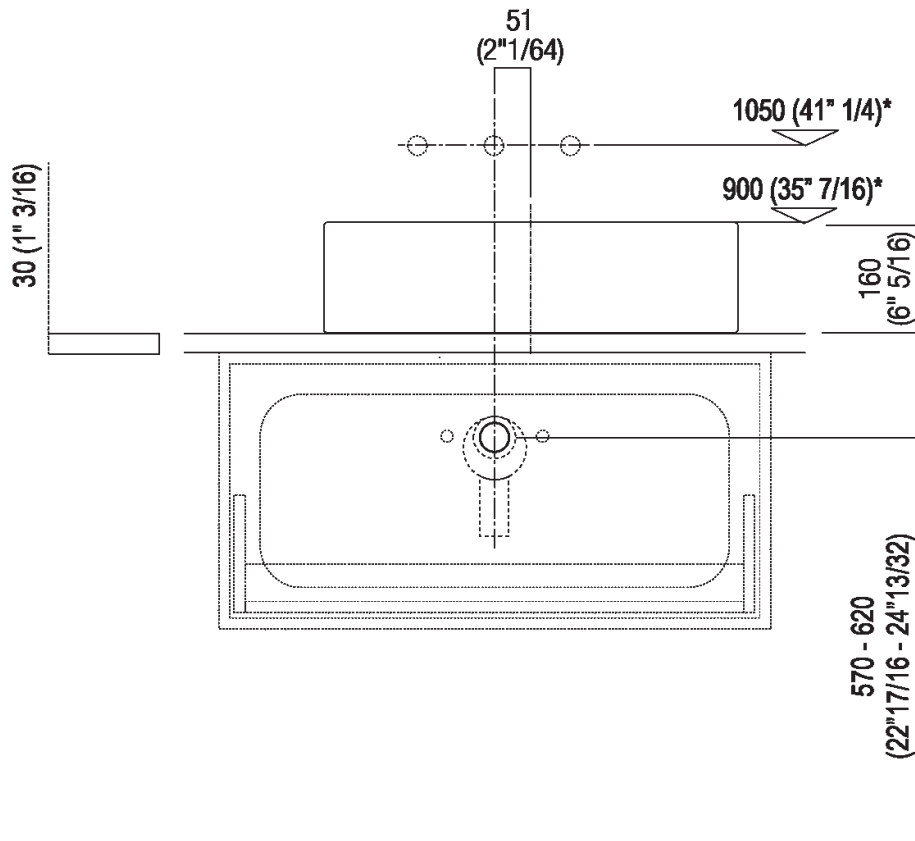


Main dimensions





Installation notes: countertop to be rested on cabinet with thickness cm 3 (1"3/16)

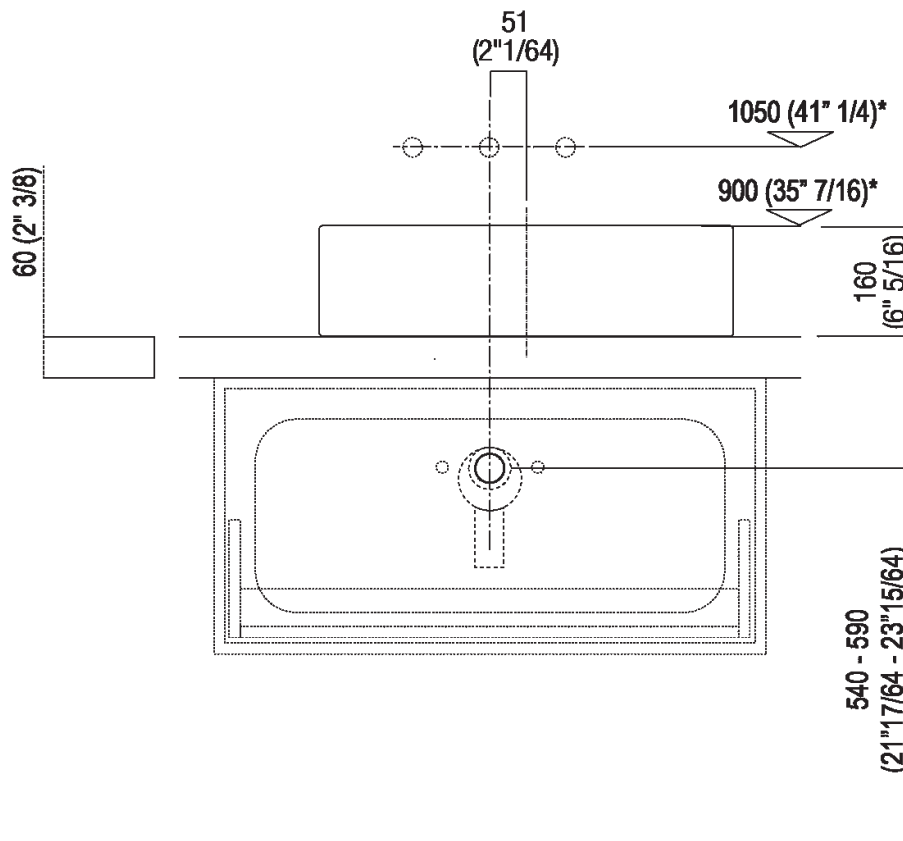


Scarico per sifone a bottiglia e ad incasso
Drain for bottle trap and concealed waste trap

*h.consigliata / advised h.



Installation notes: countertop to be rested on cabinet with thickness cm 6 (2"3/8)

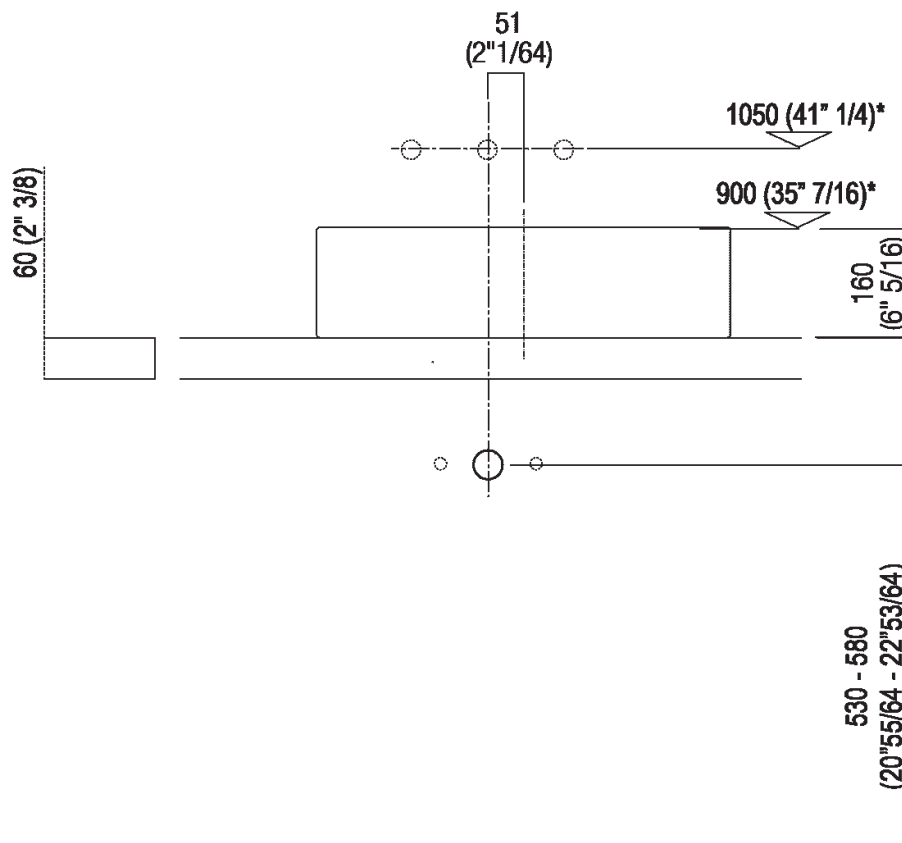


Scarico per sifone a bottiglia e ad incasso
Drain for bottle trap and concealed waste trap

*h.consigliata / advised h.



Installation notes: countertop with concealed wall
 fixings/freestanding with thickness cm 6 (2"3/8)

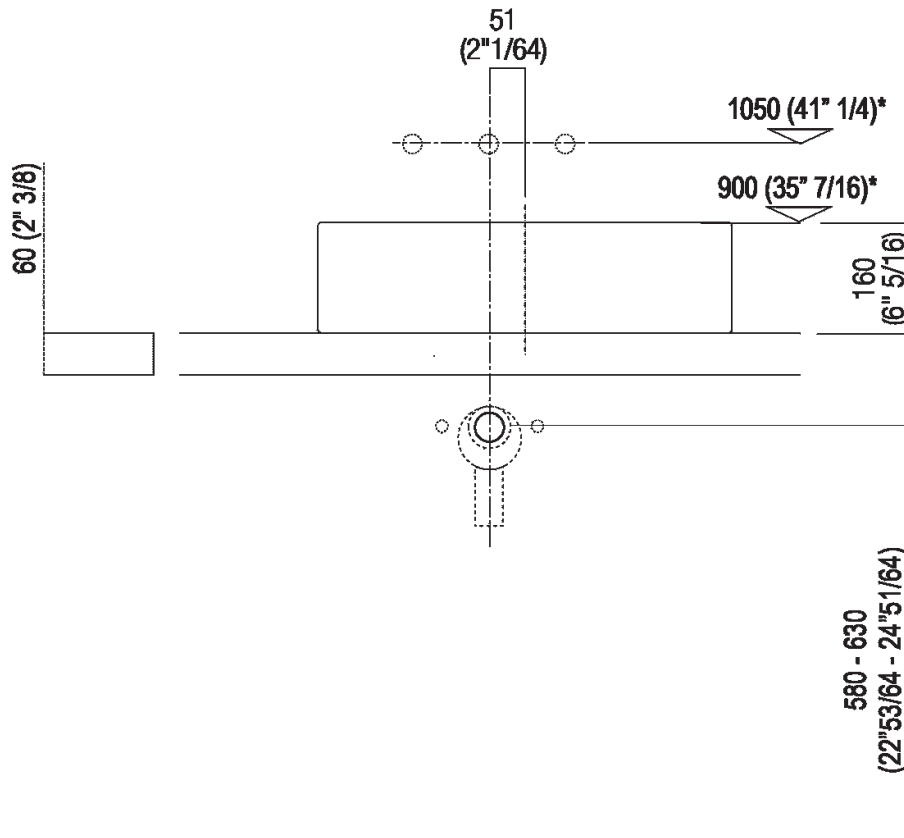


Scarico per sifone a bottiglia
Drain for bottle trap

*h.consigliata / advised h.



Installation notes: countertop with concealed wall
 fixings/freestanding with thickness cm 6 (2"3/8)

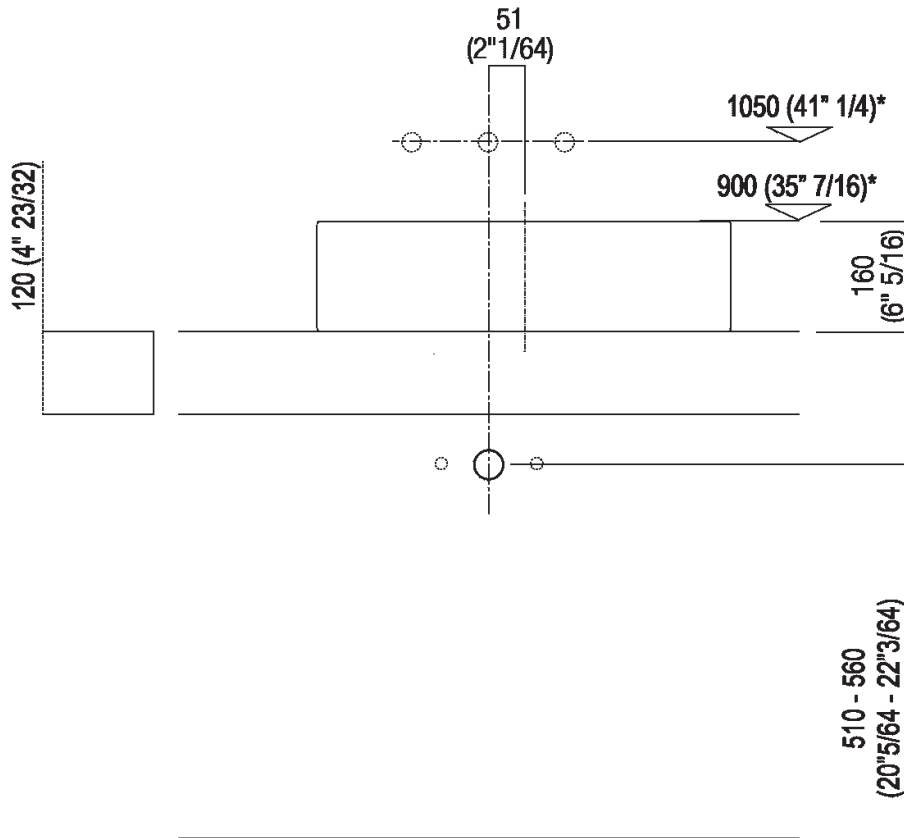


Scarico per sifone ad incasso
Drain for concealed waste trap

*h.consigliata / advised h.



Installation notes: countertop with concealed wall
 fixings/freestanding with thickness cm 12 (4"23/32)

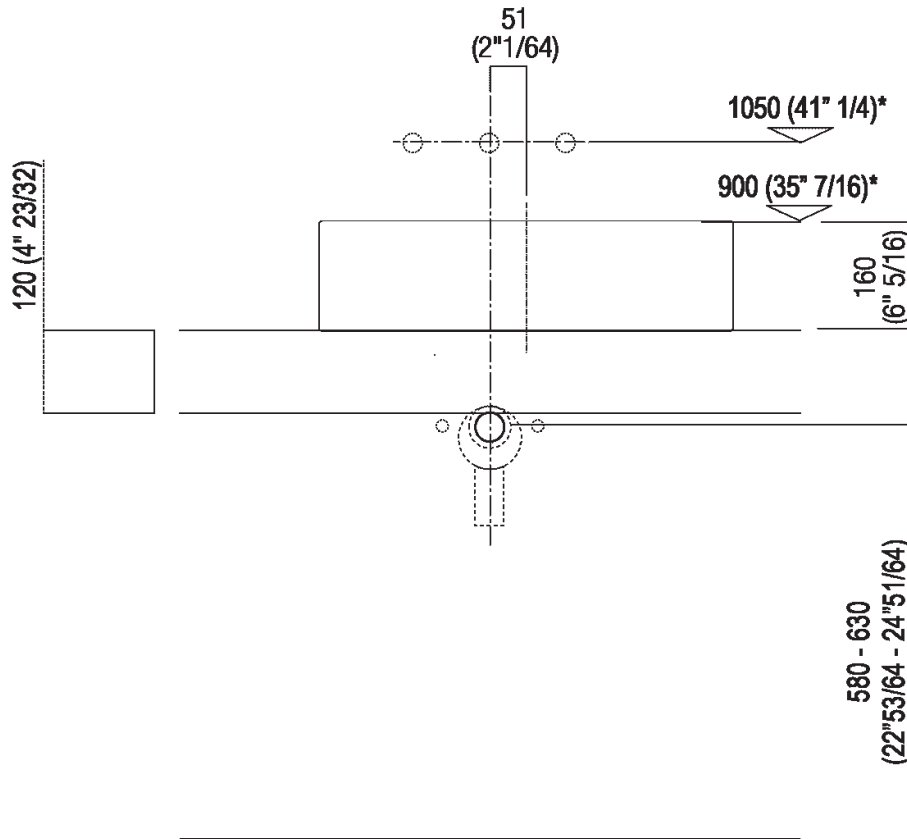


Scarico per sifone a bottiglia
Drain for bottle trap

*h.consigliata / advised h.



Installation notes: countertop with concealed wall
 fixings/freestanding with thickness cm 12 (4"23/32)



Scarico per sifone ad incasso
Drain for concealed waste trap

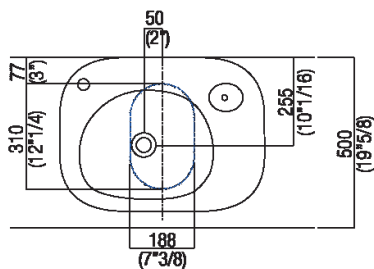
*h.consigliata / advised h.



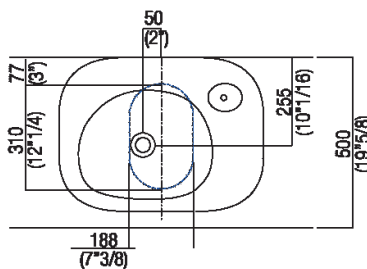
Holes for countertop washbasins and top mounted taps for top

PIANO cm 50 / COUNTERTOP cm 50

Posizione standard per rubinetto su piano
 Standard position for top mounted tap



Posizione standard per rubinetto a parete
 Standard position for wall mounted tap



Posizione speciale per rubinetto Sen a parete e Square con bocca curva
 Special position for wall mounted tap Sen and Square white curved spout

NON NECESSARIA
 NOT NECESSARY



Dimensions for wall mounted taps

POSIZIONE RUBINETTERIA / TAP POSITION

Altezza consigliata / Recommended height

