



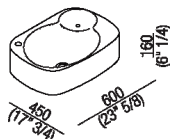
Over countertop washbasin in white  
 Cristalplant® biobased with tap hole  
 ACER0763PRZ

Andrea Morgante (Shiro Studio) - Shiro  
 Studio, 2014

White Cristalplant® biobased and marble  
 over countertop washbasin.

Over countertop washbasin in white Cristalplant® biobased with overflow hole in a  
 small basin connected with the main basin, which also can be used as a soap holder.  
 Version without tap hole. Designed for waste .MET0563. The overflow hole has a  
 maximum capacity of 8 l/min, therefore it is advisable to install a waste designed for  
 washbasins without overflow.

Altezza:	16 cm	6" 1/4 inches
Larghezza:	60 cm	23" 5/8 inches
Peso:	13 kg	29 lbs
Profondità :	45 cm	17" 3/4 inches
Confezione:	55 x 70 x 25 cm	21" 5/8 x 27" 4/8 x 9" 7/8 inches
Peso della confezione:	16 kg	35 lbs



**Finiture**



White

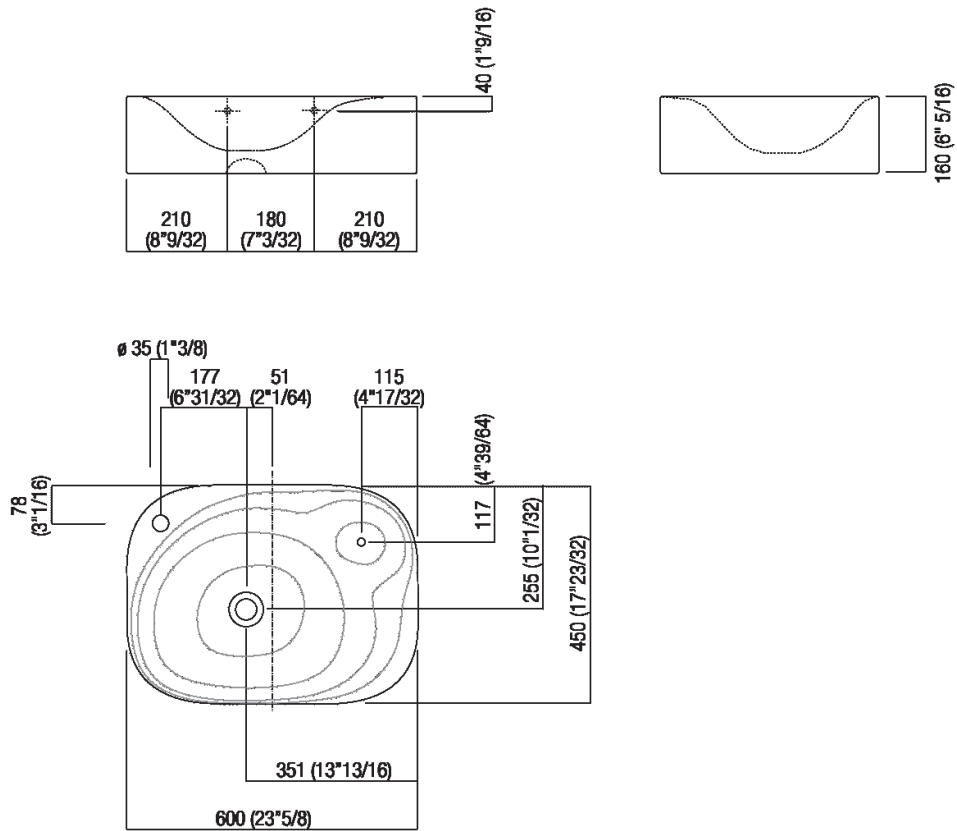
**Materiali**



Cristalplant® biobased

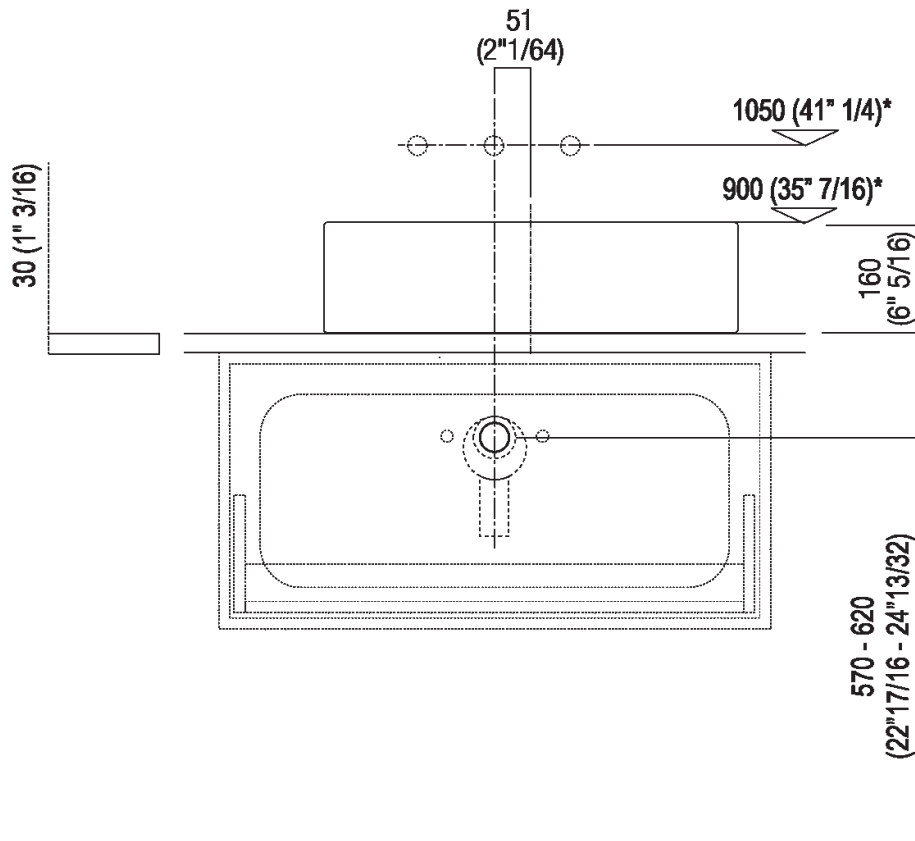


Main dimensions





Installation notes: countertop to be rested on cabinet with thickness cm 3 (1"3/16)

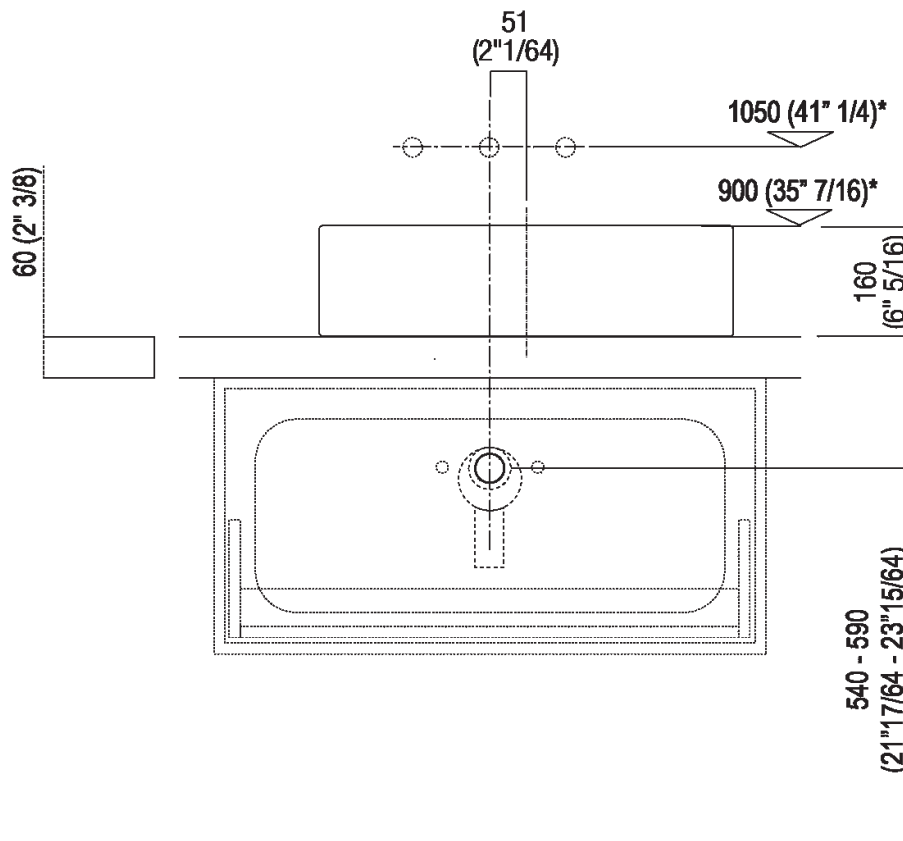


**Scarico per sifone a bottiglia e ad incasso**  
**Drain for bottle trap and concealed waste trap**

\*h.consigliata / advised h.



Installation notes: countertop to be rested on cabinet with thickness cm 6 (2"3/8)

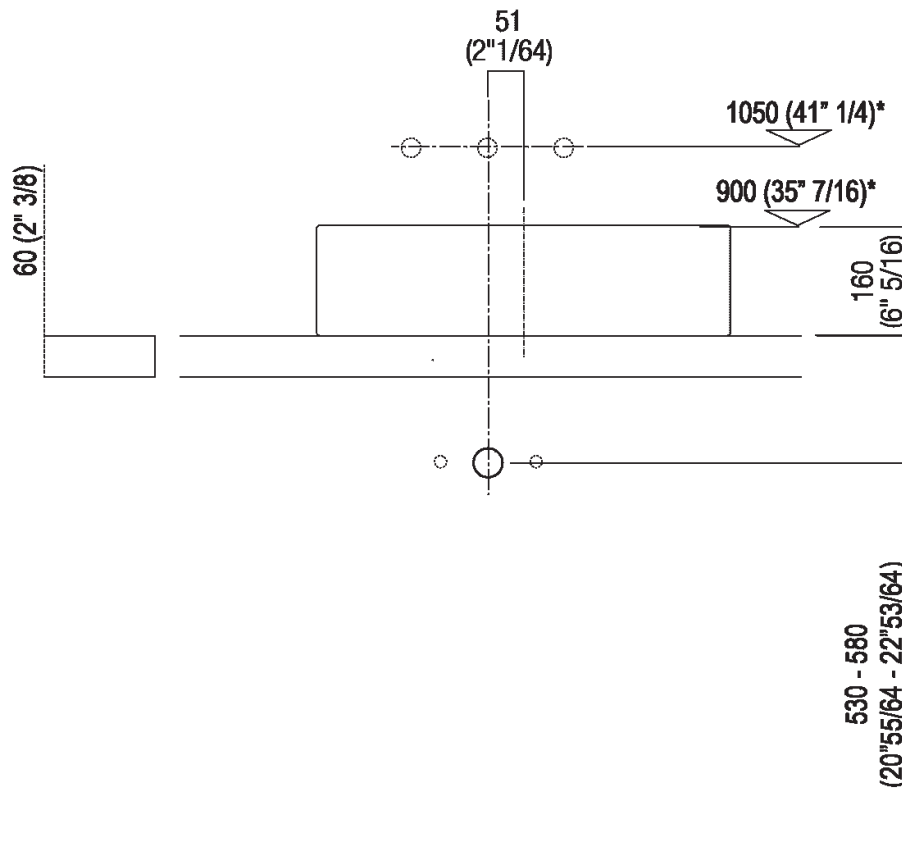


**Scarico per sifone a bottiglia e ad incasso**  
**Drain for bottle trap and concealed waste trap**

\*h.consigliata / advised h.



Installation notes: countertop with concealed wall  
 fixings/freestanding with thickness cm 6 (2"3/8)

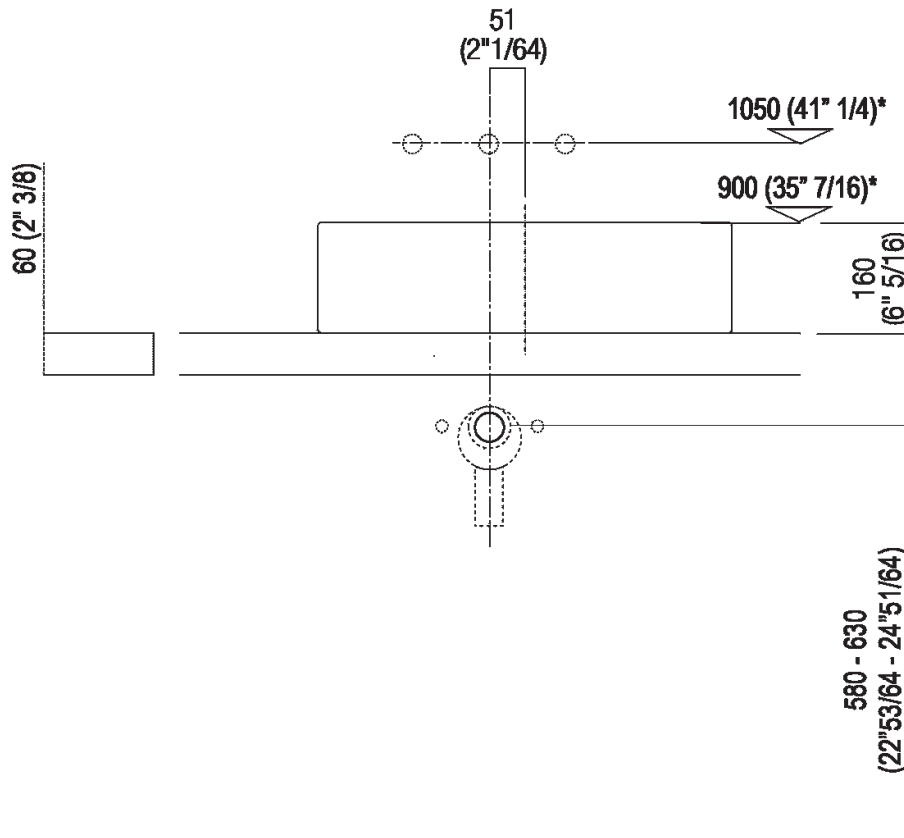


**Scarico per sifone a bottiglia**  
**Drain for bottle trap**

\*h.consigliata / advised h.



Installation notes: countertop with concealed wall  
 fixings/freestanding with thickness cm 6 (2"3/8)

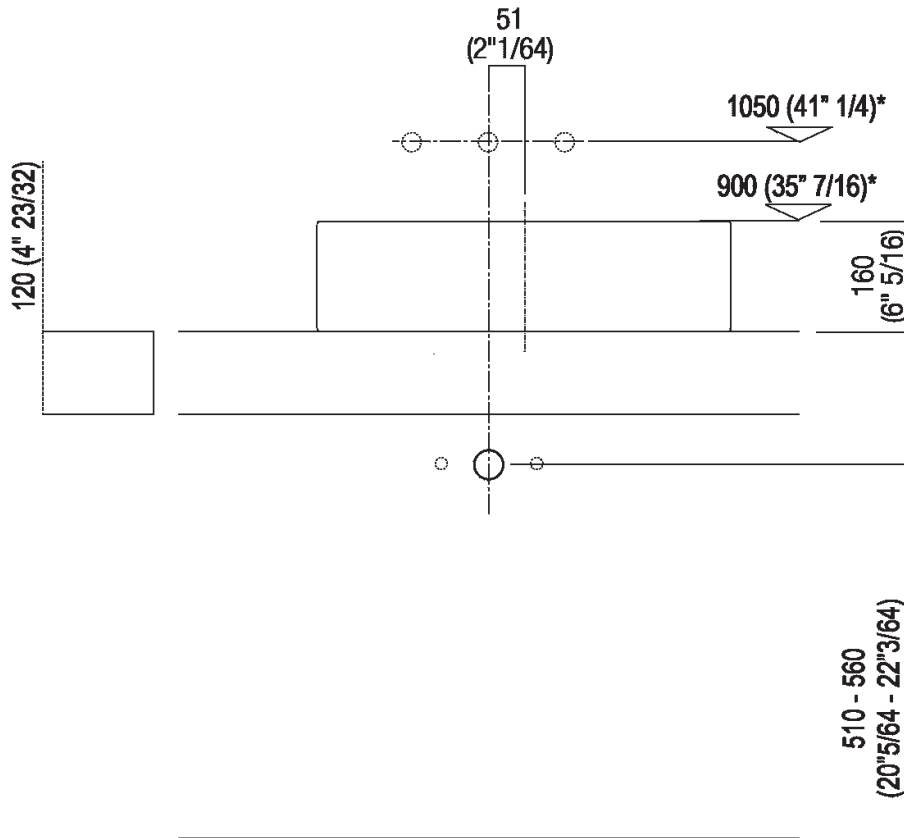


**Scarico per sifone ad incasso**  
**Drain for concealed waste trap**

\*h.consigliata / advised h.



Installation notes: countertop with concealed wall  
 fixings/freestanding with thickness cm 12 (4"23/32)

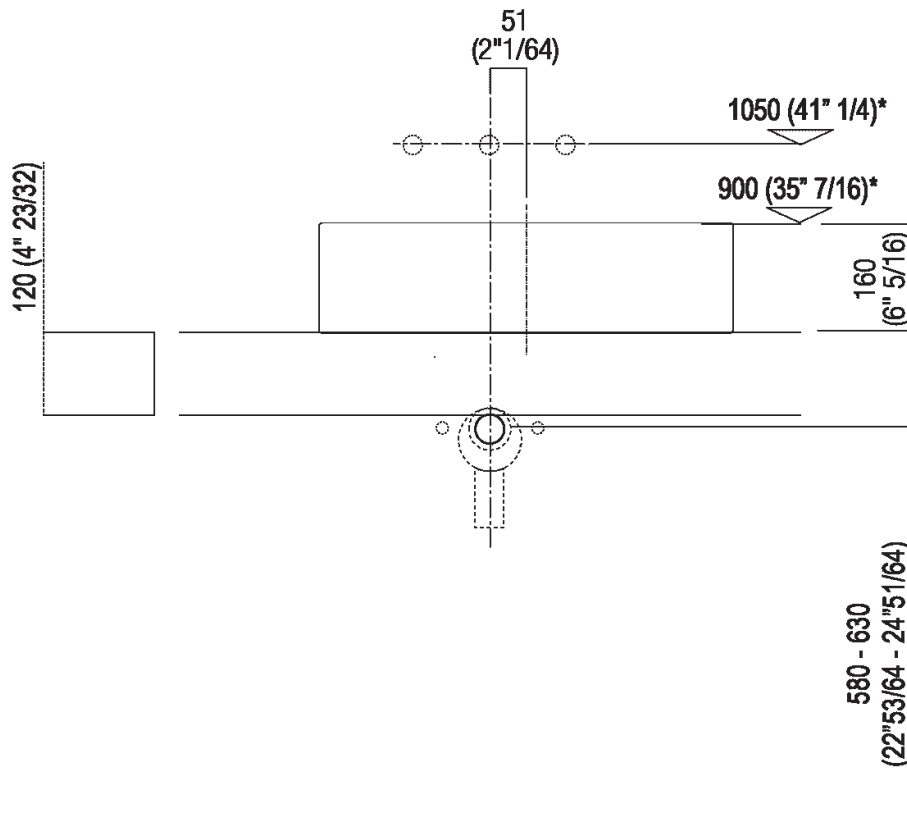


**Scarico per sifone a bottiglia**  
**Drain for bottle trap**

\*h.consigliata / advised h.



Installation notes: countertop with concealed wall  
 fixings/freestanding with thickness cm 12 (4"23/32)



**Scarico per sifone ad incasso**  
**Drain for concealed waste trap**

\*h.consigliata / advised h.

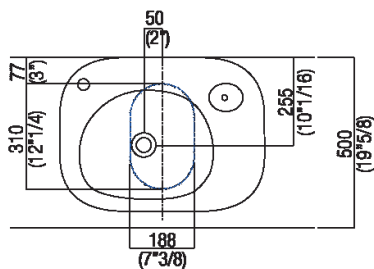




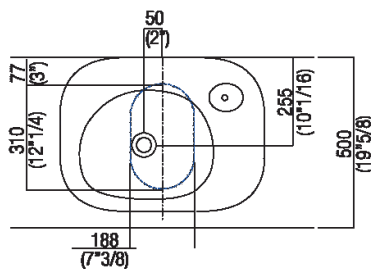
Holes for countertop washbasins and top mounted taps for top

**PIANO cm 50 / COUNTERTOP cm 50**

Posizione standard per rubinetto su piano  
Standard position for top mounted tap



Posizione standard per rubinetto a parete  
Standard position for wall mounted tap

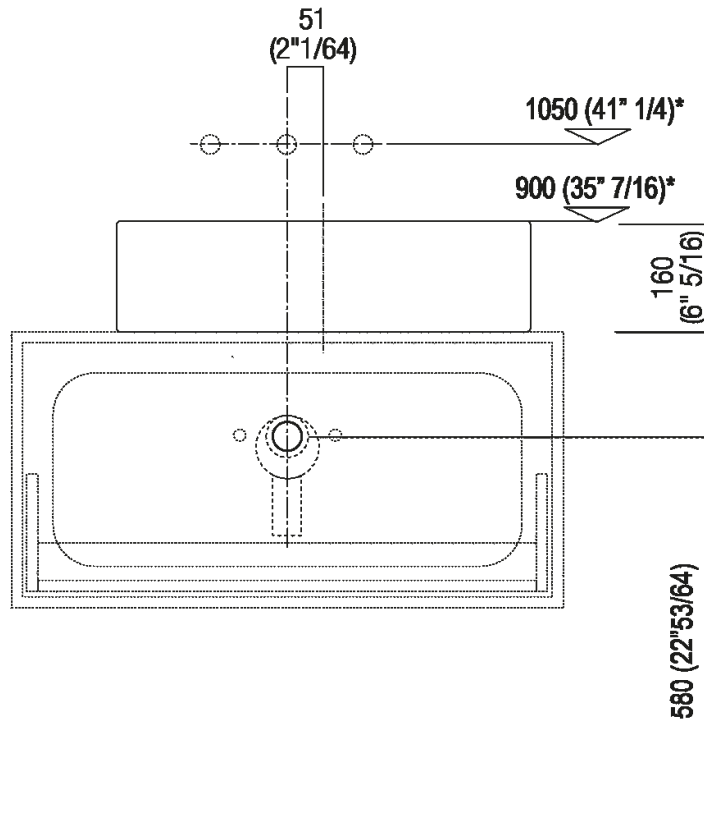


Posizione speciale per rubinetto Sen a parete e Square con bocca curva  
Special position for wall mounted tap Sen and Square white curved spout

NON NECESSARIA  
NOT NECESSARY



Installation notes: on casing H 40 cm Lato

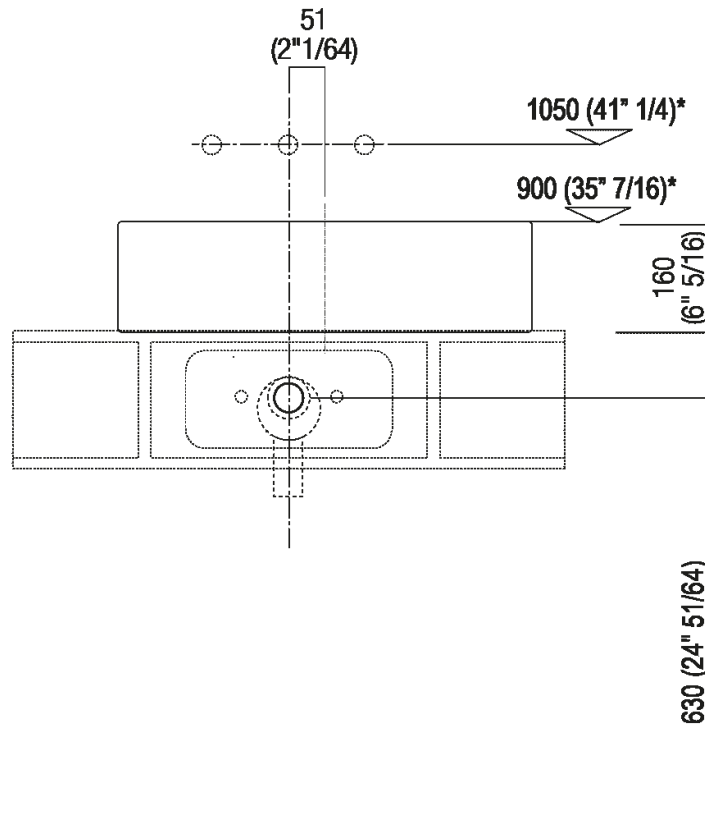


**Scarico per sifone a bottiglia e ad incasso**  
**Drain for bottle trap and concealed waste trap**

**\*h.consigliata / advised h.**



Installation notes: on casing H 20 cm Lato



**Scarico per sifone a bottiglia e ad incasso**  
**Drain for bottle trap and concealed waste trap**

\*h.consigliata / advised h.