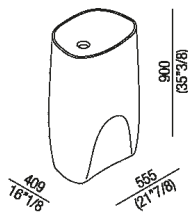




Column washbasin designed for floor drainage  
 ACER0896FZ

Patricia Urquiola, 2007

Washbasin in white Cristalplant® biobased or marble.



**Finiture**

White

**Materiali**

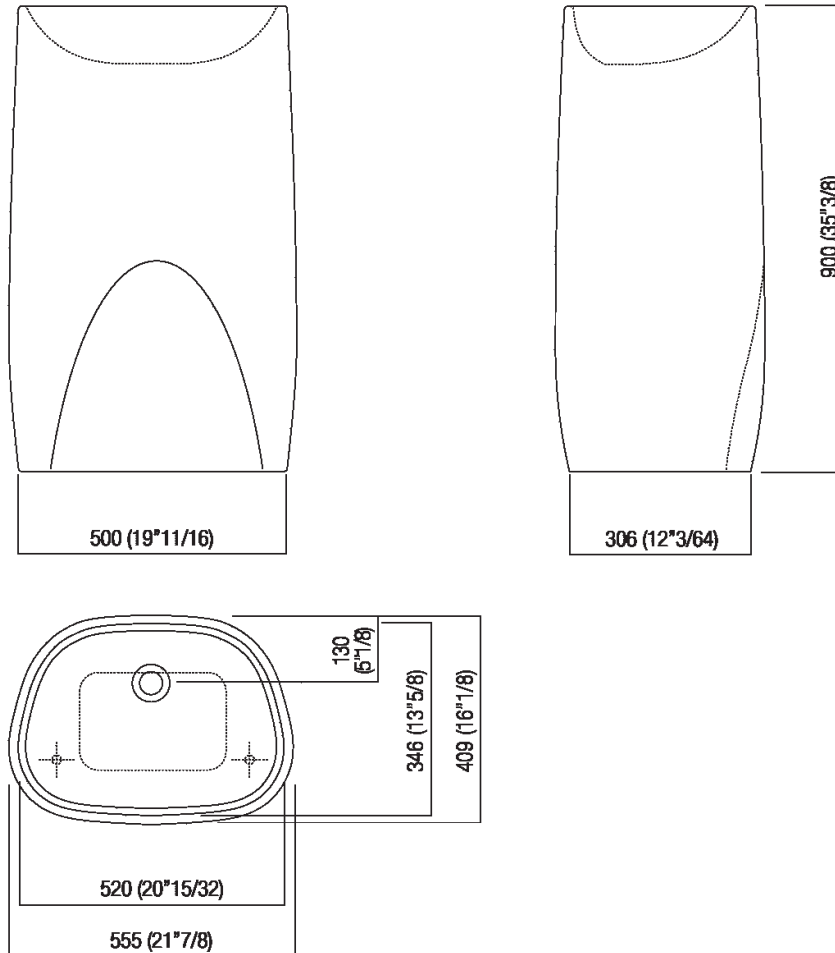
Cristalplant® biobased

Shaped white Cristalplant® biobased washbasin with pedestal. No tap hole. No overflow. Supplied with assembly kit. Island version. Requires .MET0563 waste and the insertion of a .MET0519 waste trap.

Altezza:	90 cm	35" 3/8 inches
Larghezza:	55.5 cm	21" 7/8 inches
Peso:	58 kg	128 lbs
Profondità :	40.9 cm	16" 1/8 inches
Confezione:	52 x 62 x 100 cm	20"4/8 x 24"3/8 x 39"3/8 inches
Peso della confezione:	70 kg	154 lbs

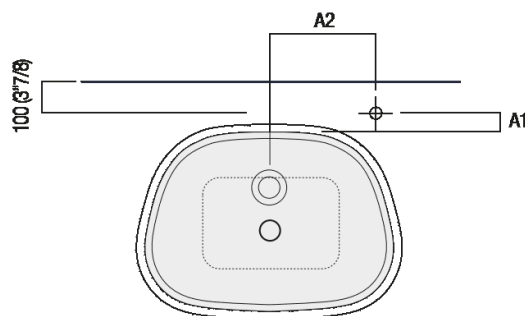
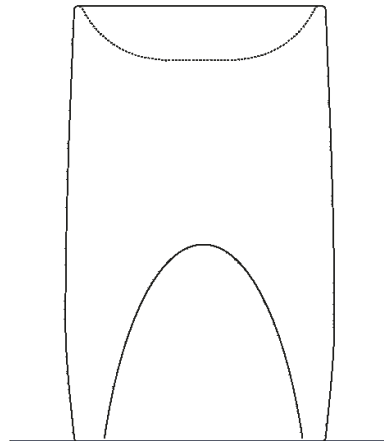


Main dimensions





Installation notes

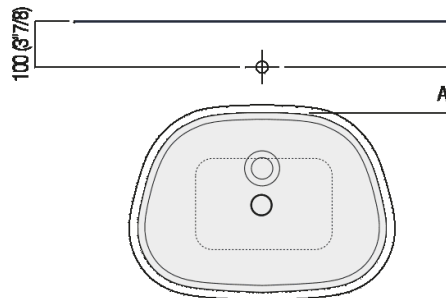
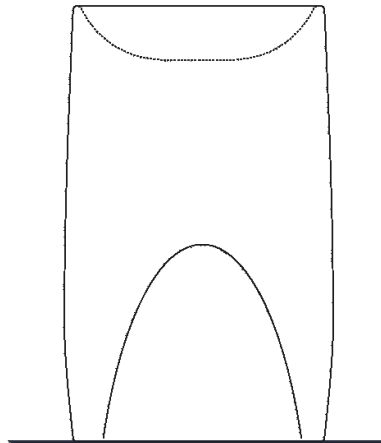


		A1	A2
FEZ 2A	FEZ004	70 (2 <sup>3</sup> / <sub>4</sub> )	280 (11 <sup>1</sup> / <sub>2</sub> )
	ARUB146	140 (5 <sup>1</sup> / <sub>2</sub> )	280 (11 <sup>1</sup> / <sub>2</sub> )
MEMORY	AMEM323	80 (3 <sup>5</sup> / <sub>32</sub> )	290 (11 <sup>27</sup> / <sub>64</sub> )
	ARUB1092	80 (3 <sup>5</sup> / <sub>32</sub> )	290 (11 <sup>27</sup> / <sub>64</sub> )
SEN	ASEN0962N	45 (1 <sup>3</sup> / <sub>4</sub> )	250 (9 <sup>7</sup> / <sub>8</sub> )
SQUARE	ARUB1096	0	210 (8 <sup>1</sup> / <sub>2</sub> )
	ARUB1020*	0	210 (8 <sup>1</sup> / <sub>2</sub> )

\*ad esaurimento / while stocks last



Installation notes



		A
FEZ2	AFEZ004	140 (5*1/2)
	ARUB146	140 (5*1/2)
MEMORY	AMEM323	190 7*31/64
	ARUB1092	190 7*31/64
SEN	ASEN0962N	110 (4*3/8)
SQUARE	ARUB1096	110 (4*3/8)
	ARUB1020*	110 (4*3/8)

\*ad esaurimento / while stocks last