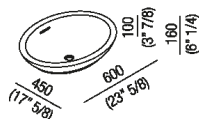




Semi-recessed washbasin
 ACER0700IZ

Benedini Associati, 2002

Oval washbasin in Cristalplant® biobased.



Semi-recessed oval washbasin made from white Cristalplant® biobased without tap hole, with overflow hole. Designed for waste .MET0346P, .MET0562 or, with concealed waste trap .PLA0456, .MET0508L.

Finiture



White

Materiali

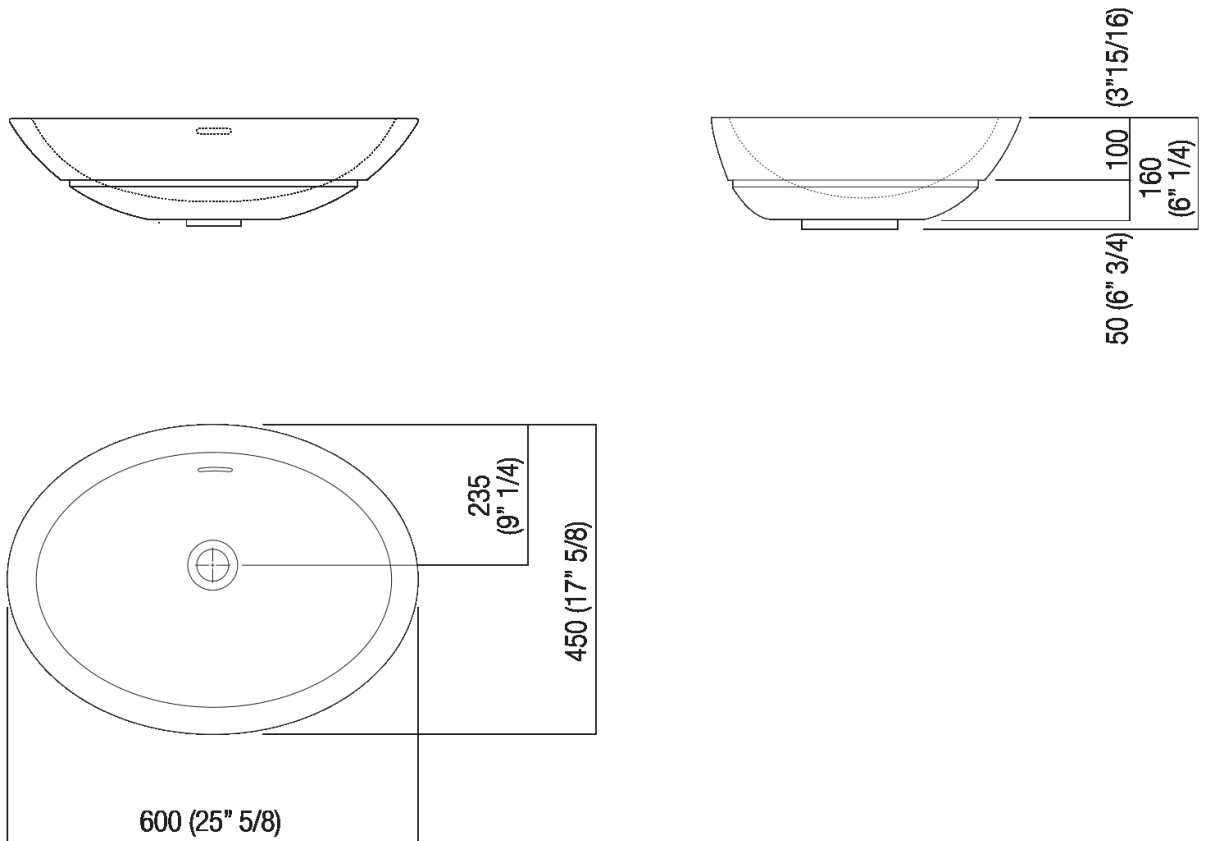


Cristalplant® biobased

Altezza:	16 cm	6" 1/4 inches
Larghezza:	60 cm	23" 5/8 inches
Peso:	14 kg	31 lbs
Profondità :	45 cm	17" 5/8 inches
Capacità:	5 l	1 gal
Confezione:	48 x 62 x 20 cm	18" 7/8 x 24" 3/8 x 7" 7/8 inches
Peso della confezione:	17 kg	37 lbs

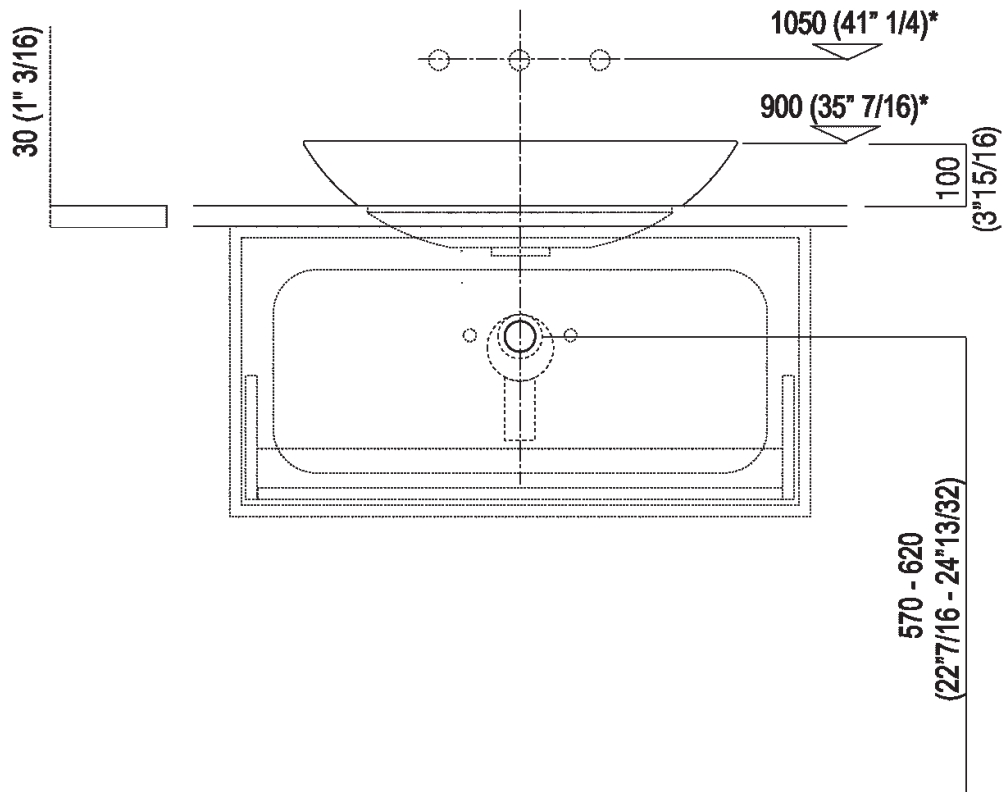


Main dimensions





Installation notes: countertop to be rested on cabinet with thickness cm 3 (1"3/16)

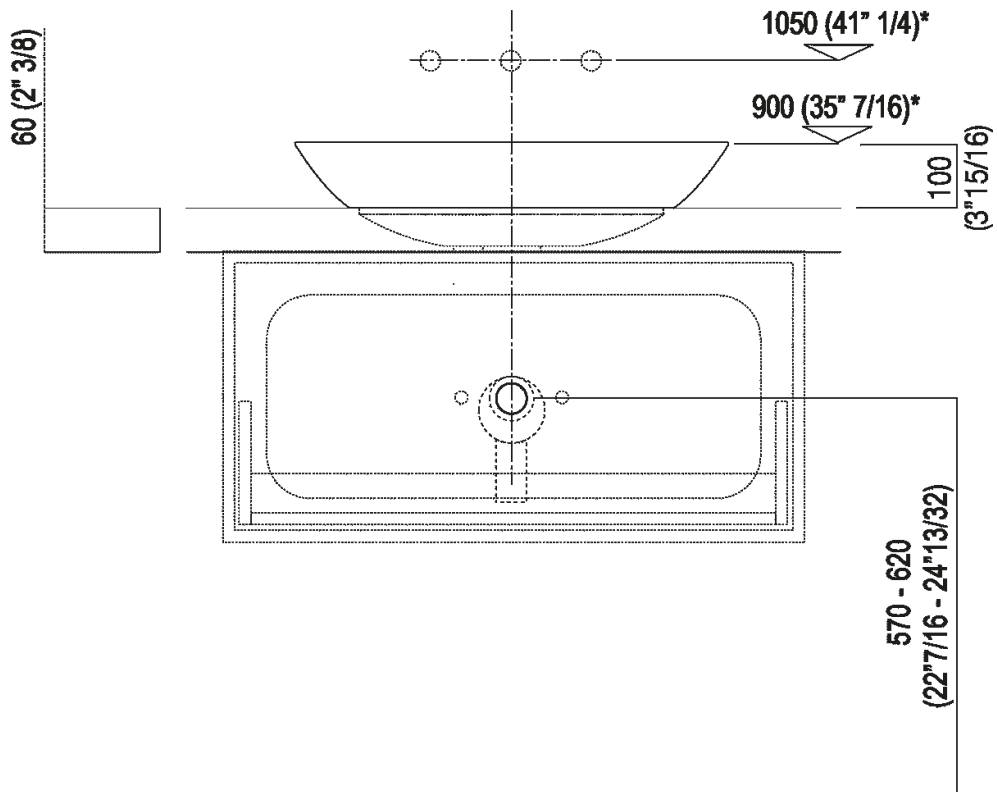


Scarico per sifone a bottiglia e ad incasso
Drain for bottle trap and concealed waste trap

*h.consigliata / advised h.



Installation notes: countertop to be rested on cabinet with thickness cm 6 (2"3/8)

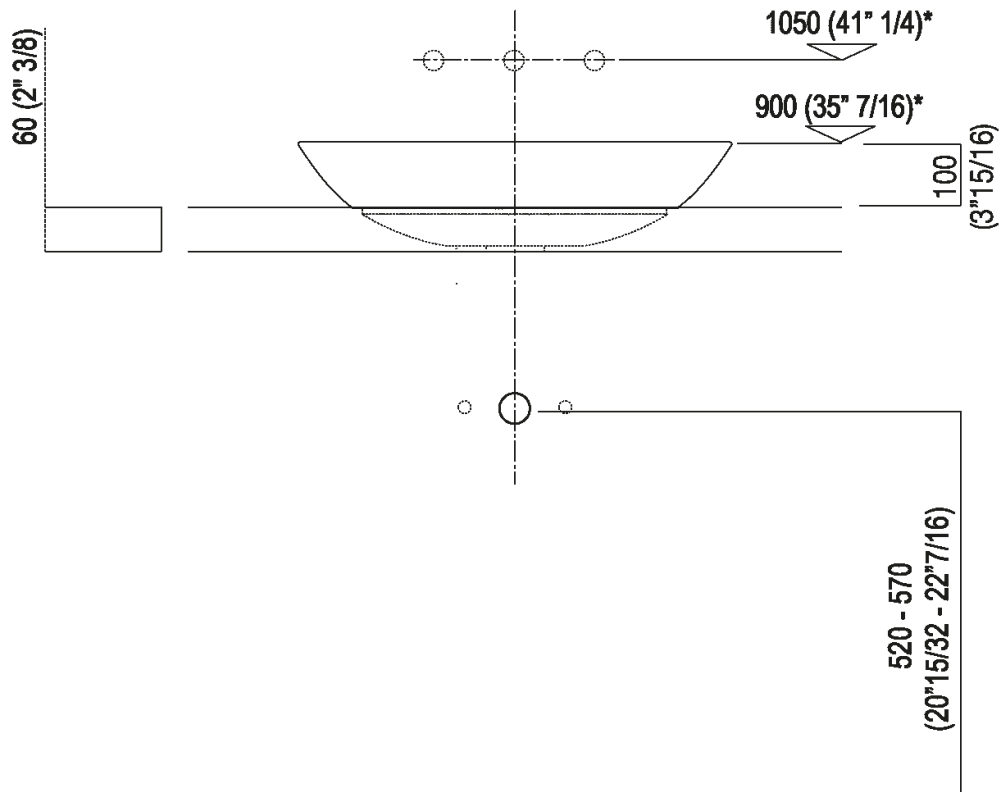


Scarico per sifone a bottiglia e ad incasso
Drain for bottle trap and concealed waste trap

*h.consigliata / advised h.



Installation notes: countertop with concealed wall
 fixings/freestanding with thickness cm 6 (2"3/8)

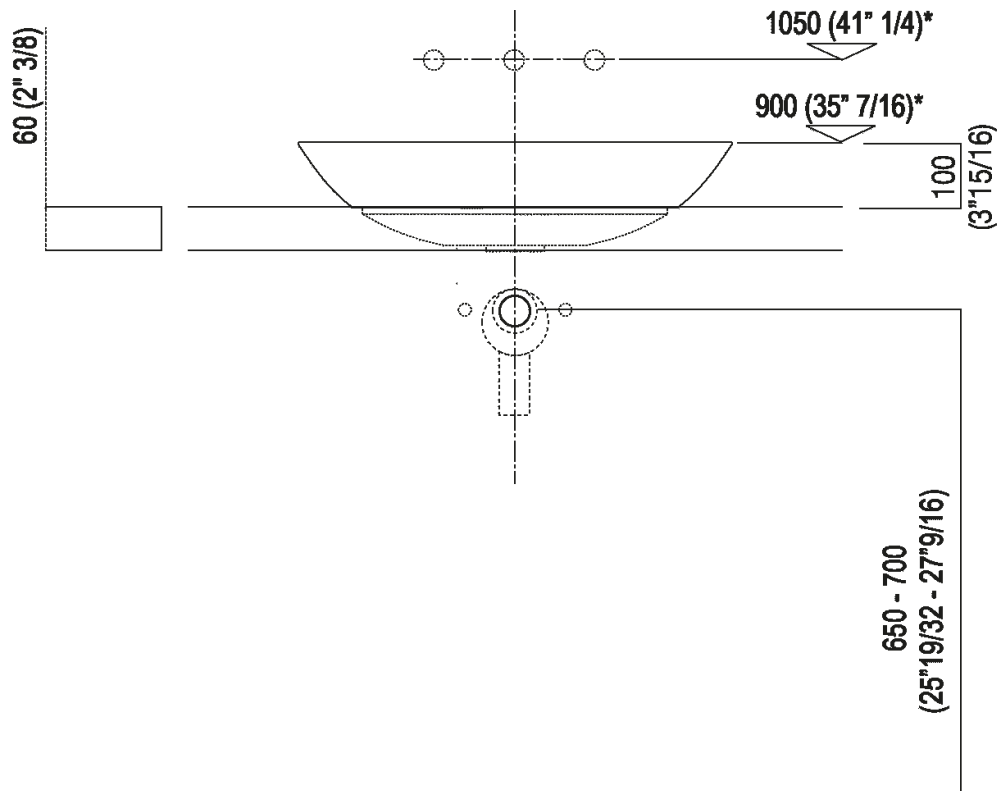


Scarico per sifone a bottiglia
Drain for bottle trap

*h.consigliata / advised h.



Installation notes: countertop with concealed wall
 fixings/freestanding with thickness cm 6 (2"3/8)

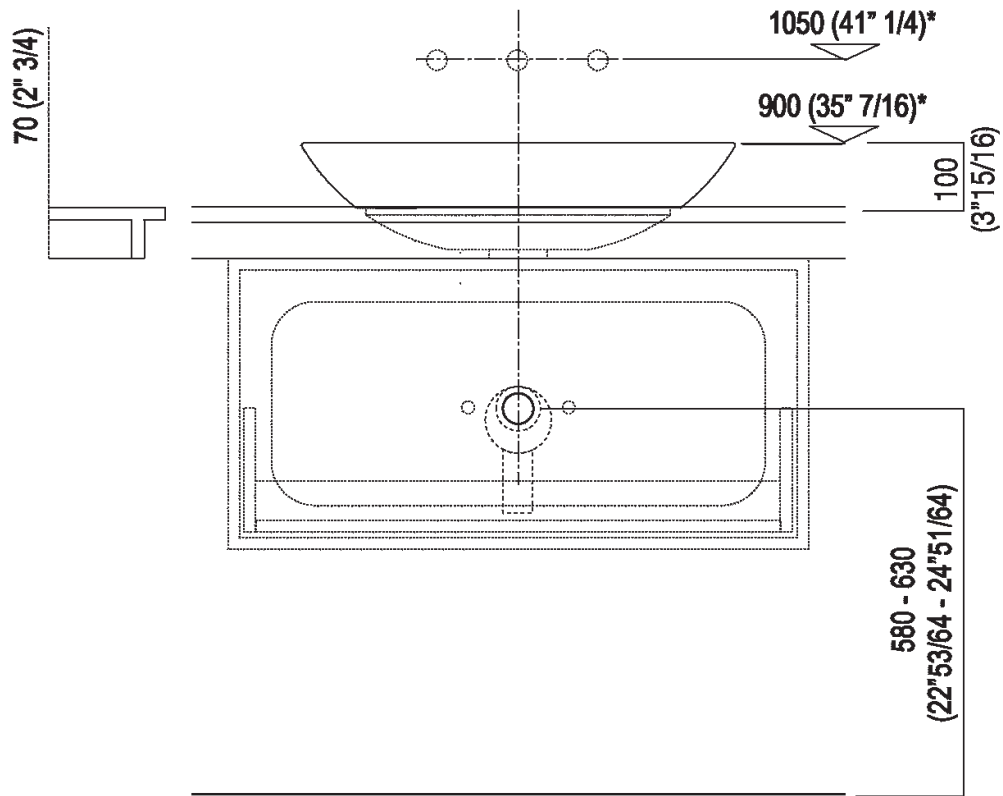


Scarico per sifone ad incasso
Drain for concealed waste trap

***h.consigliata / advised h.**



Installation notes: countertop Evoluzione



Scarico per sifone a bottiglia e ad incasso
Drain for bottle trap and concealed waste trap

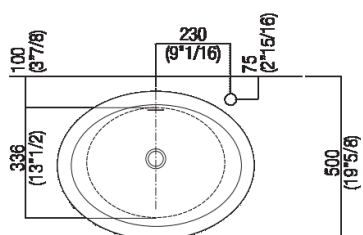
*h.consigliata / advised h.



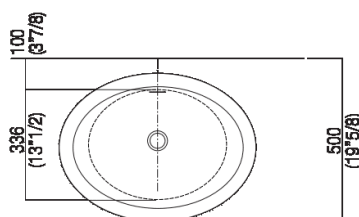
Holes for semi-recessed washbasins and top mounted taps for top

PIANO cm 50 / COUNTERTOP cm 50

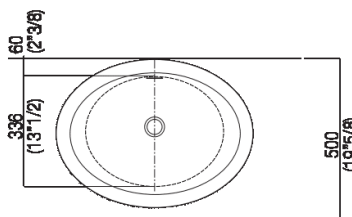
Posizione standard per rubinetto su piano
Standard position for top mounted tap



Posizione standard per rubinetto a parete
Standard position for wall mounted tap



Posizione speciale per rubinetto Sen a parete e Square con bocca curva
Special position for wall mounted tap Sen and Square white curved spout

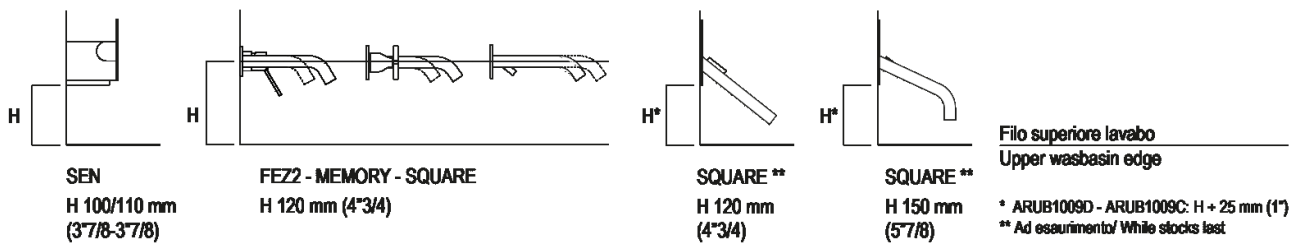




Tap position, recommended height

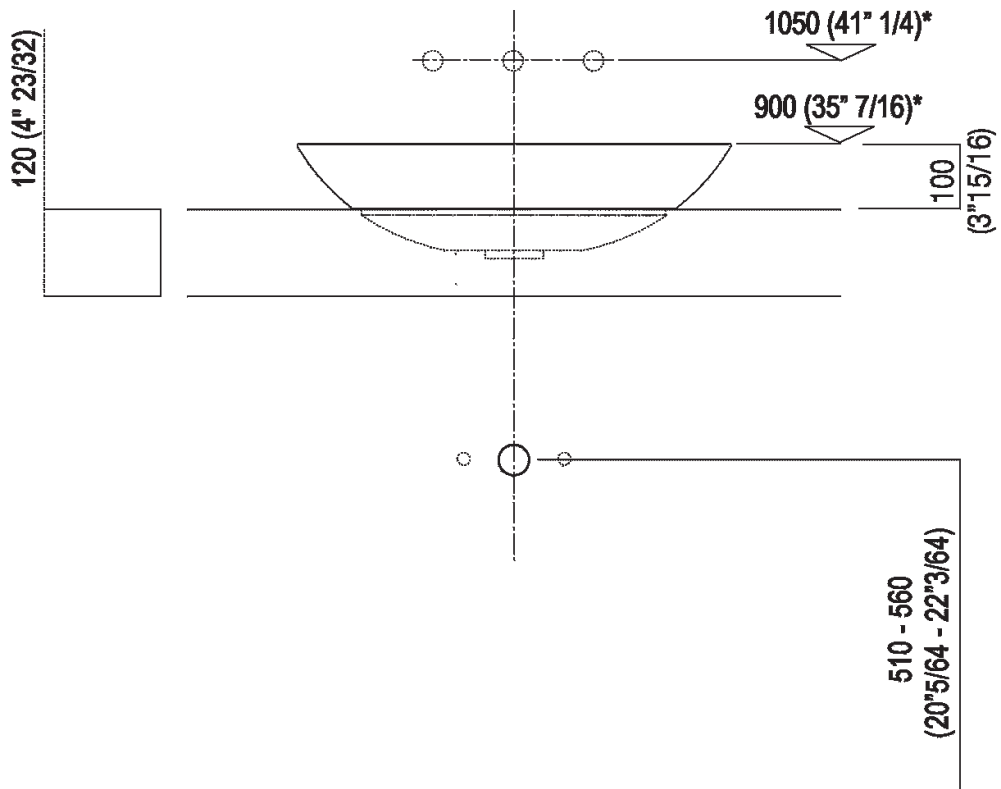
POSIZIONE RUBINETTERIA / TAP POSITION

Altezza consigliata / Recommended height





Installation notes: countertop with concealed wall
 fixings/freestanding with thickness cm 12 (4"23/32)

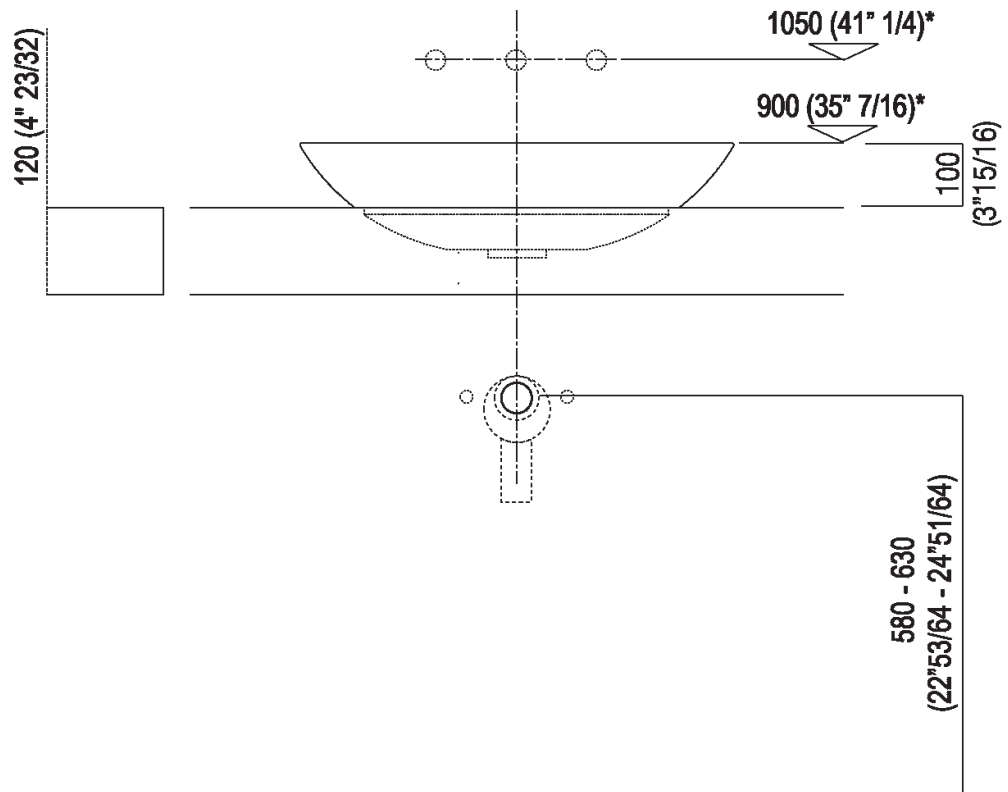


Scarico per sifone a bottiglia
Drain for bottle trap

***h.consigliata / advised h.**



Installation notes: countertop with concealed wall
 fixings/freestanding with thickness cm 12 (4"23/32)

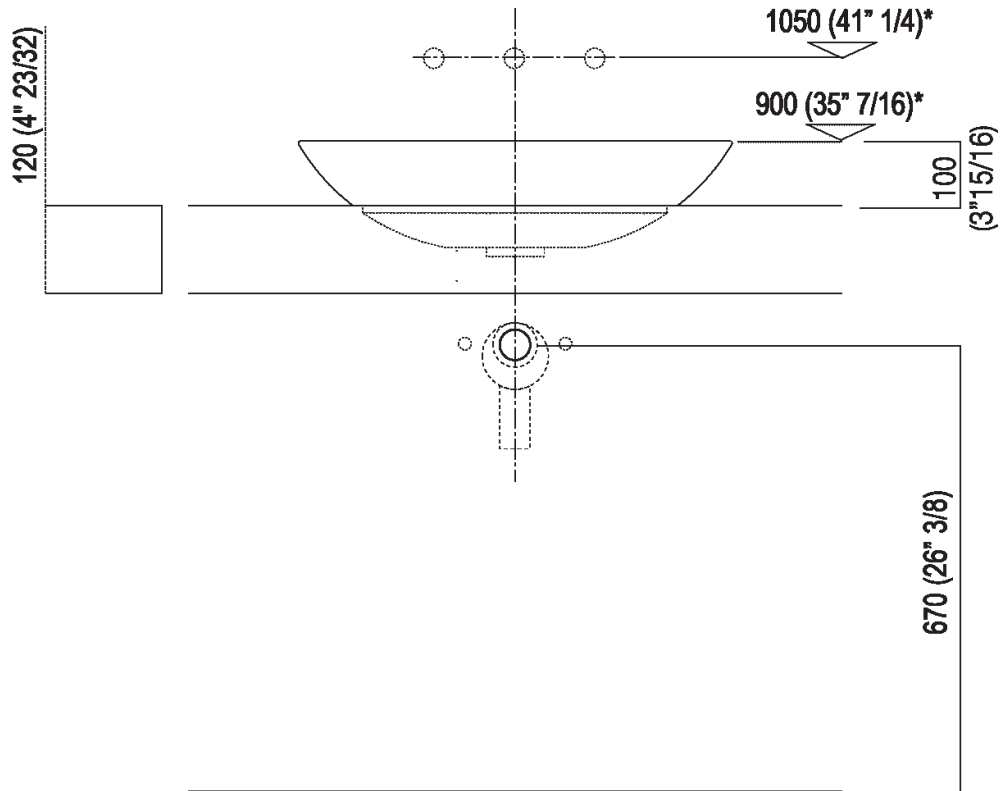


Scarico per sifone ad incasso
Drain for concealed waste trap

*h.consigliata / advised h.



**Installation notes: countertop with concealed wall
 fixings/freestanding with thickness cm 12 (4"23/32)**

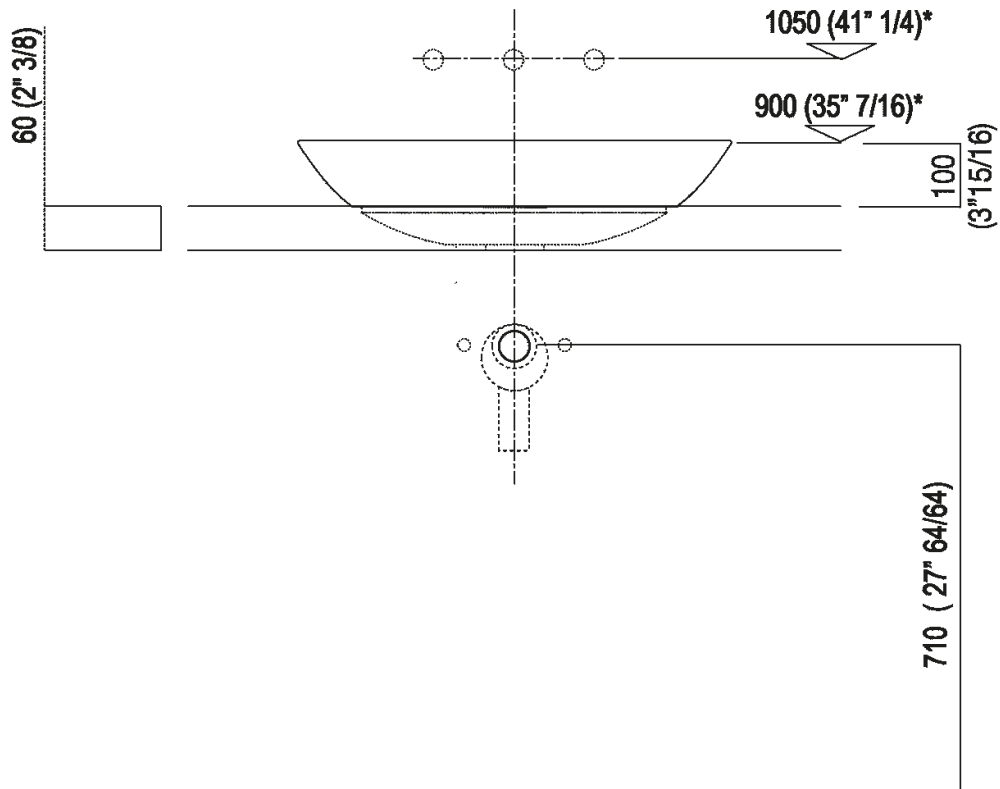


Scarico per sifone ad incasso e piletta con canotto fisso
Drain for concealed waste trap with not adjustable pipe

***h.consigliata / advised h.**



Installation notes: countertop with concealed wall fixings with thickness cm 6 (2"3/8)



Scarico per sifone ad incasso e piletta con canotto fisso
Drain for concealed waste trap with not adjustable pipe

*h.consigliata / advised h.