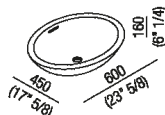




Over countertop washbasin  
 ACER0700Z

Benedini Associati, 2002

Oval washbasin in Cristalplant® biobased.



Oval over countertop washbasin made from white Cristalplant® biobased without tap hole, with over flow hole. Designed for waste .MET0346P or .MET0562.

**Finiture**



White

**Materiali**

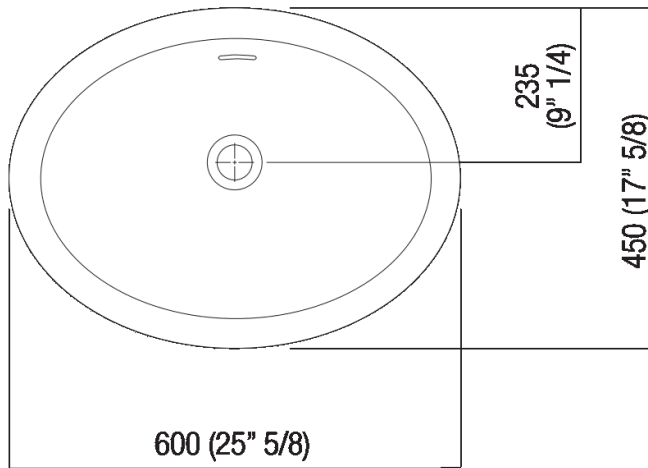
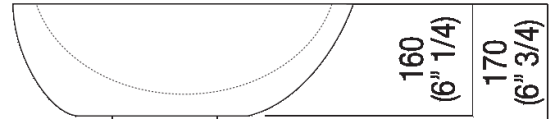
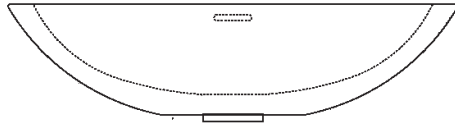


Cristalplant® biobased

Altezza:	16 cm	6" 1/4 inches
Larghezza:	60 cm	23" 5/8 inches
Peso:	14 kg	31 lbs
Profondità :	45 cm	17" 5/8 inches
Capacità:	5 l	1 gal
Confezione:	48 x 62 x 20 cm	18" 7/8 x 24" 3/8 x 7" 7/8 inches
Peso della confezione:	17 kg	37 lbs

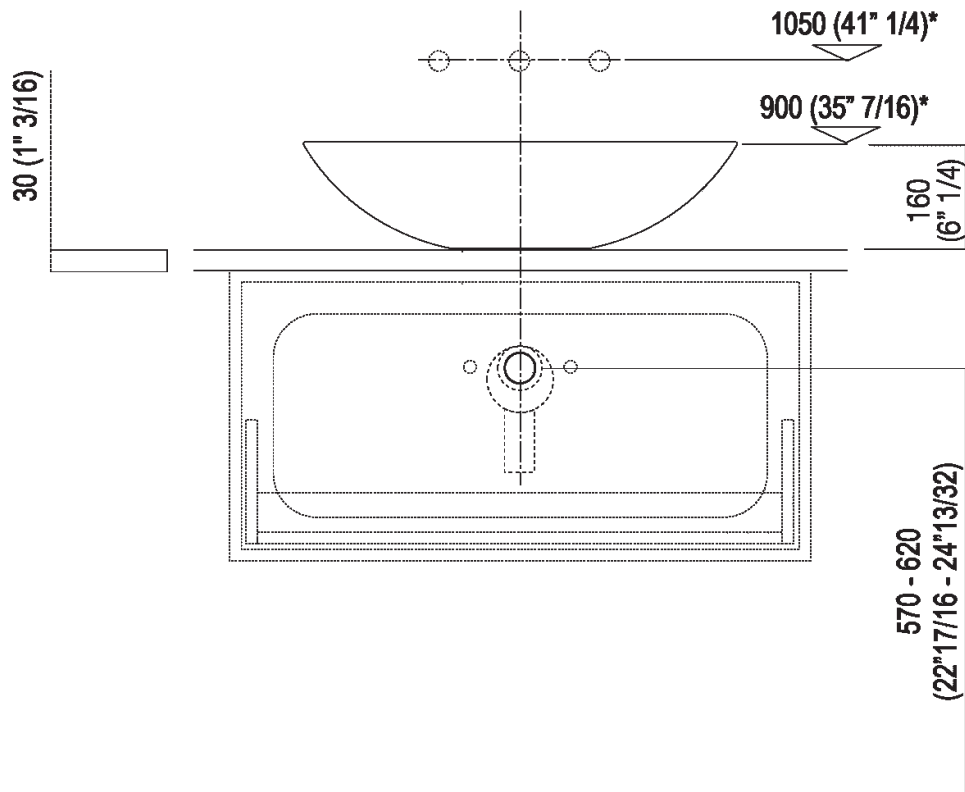


Main dimensions





Installation notes: countertop to be rested on cabinet with thickness cm 3 (1"3/16)

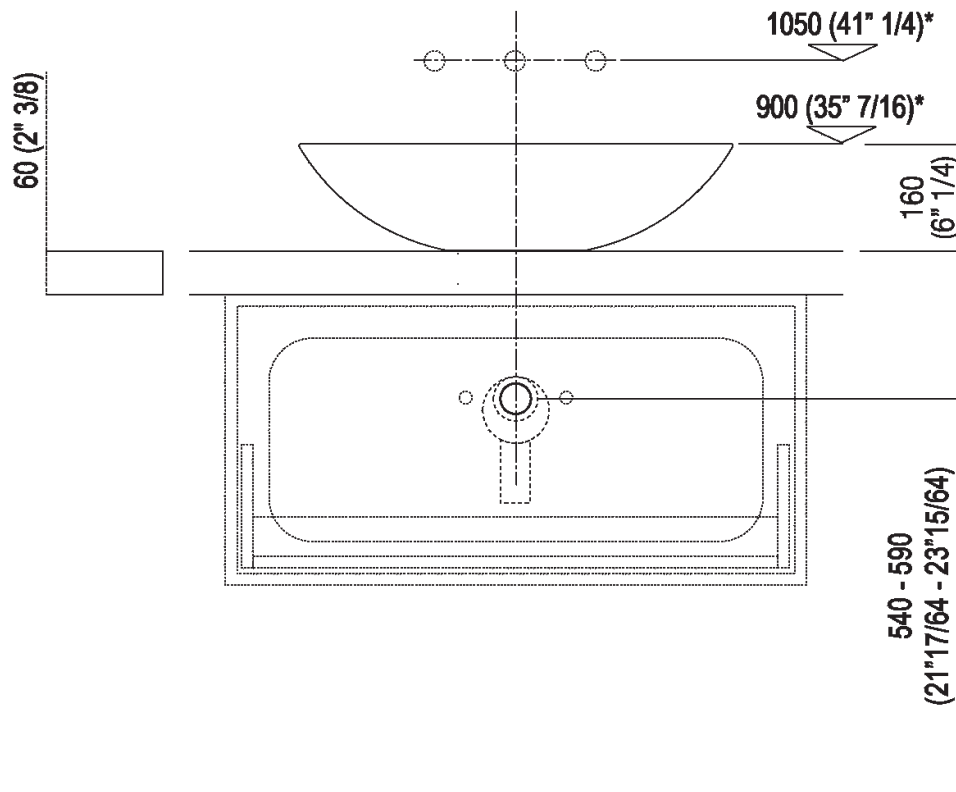


**Scarico per sifone a bottiglia e ad incasso**  
**Drain for bottle trap and concealed waste trap**

\*h.consigliata / advised h.



Installation notes: countertop to be rested on cabinet with thickness cm 6 (2"3/8)

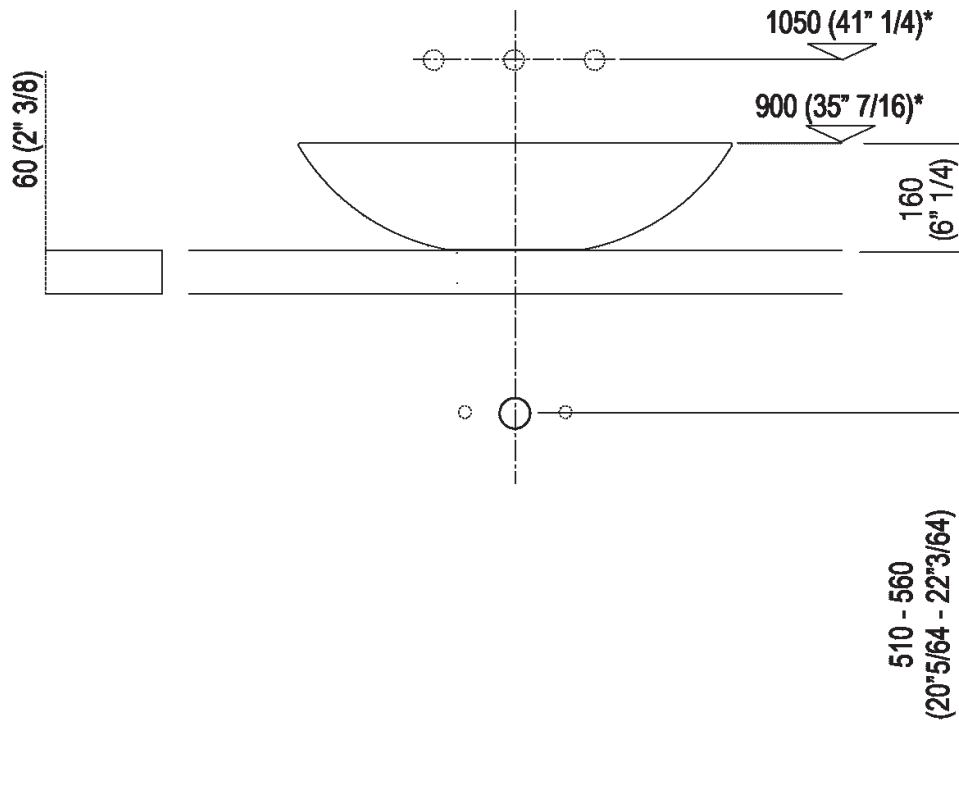


**Scarico per sifone a bottiglia e ad incasso**  
**Drain for bottle trap and concealed waste trap**

**\*h.consigliata / advised h.**



Installation notes: countertop with concealed wall  
 fixings/freestanding with thickness cm 6 (2"3/8)

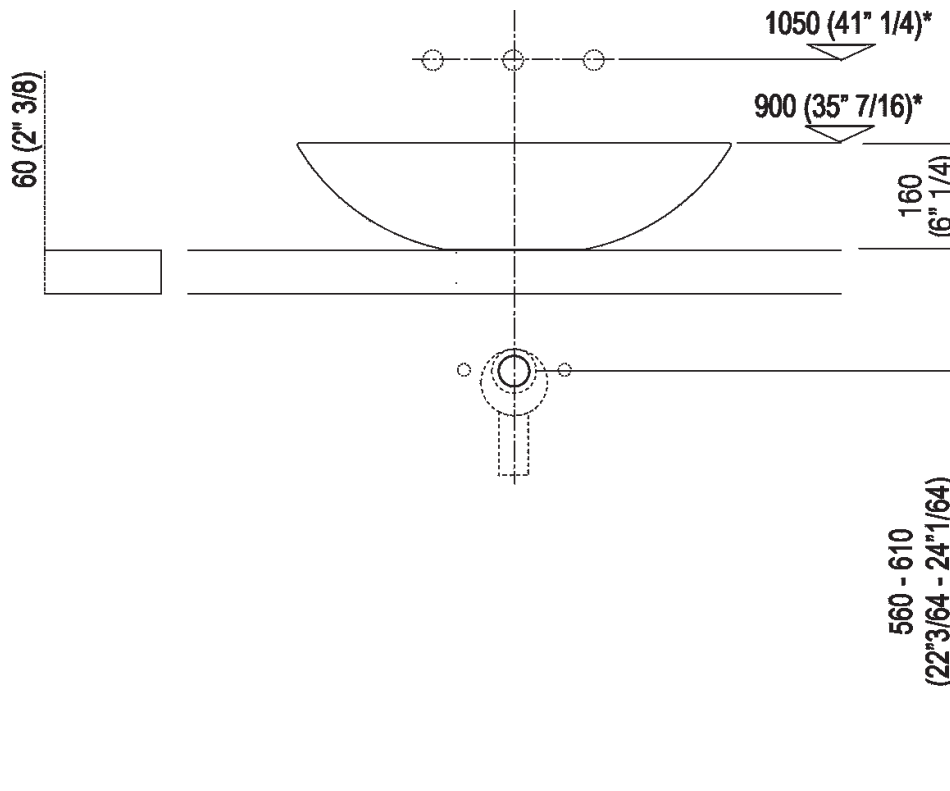


**Scarico per sifone a bottiglia**  
**Drain for bottle trap**

\*h.consigliata / advised h.



Installation notes: countertop with concealed wall  
 fixings/freestanding with thickness cm 6 (2"3/8)

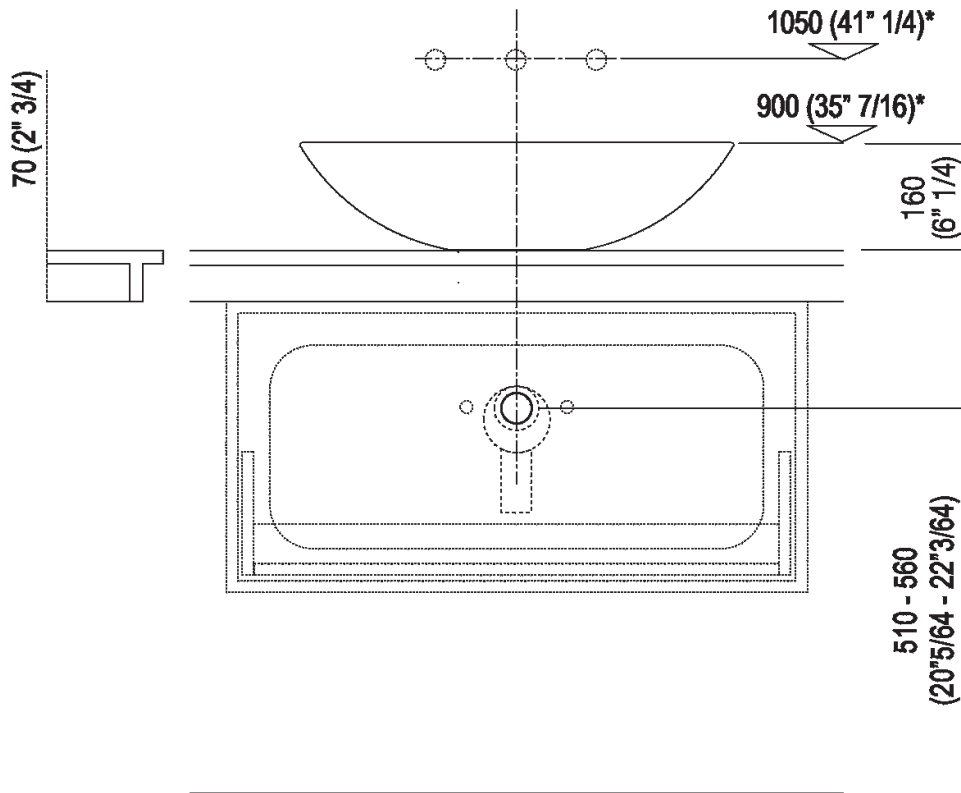


**Scarico per sifone ad incasso**  
**Drain for concealed waste trap**

\*h.consigliata / advised h.



**Installation notes: countertop Evoluzione**



**Scarico per sifone a bottiglia e ad incasso**  
**Drain for bottle trap and concealed waste trap**

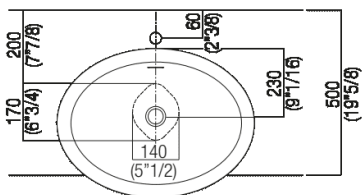
**\*h.consigliata / advised h.**



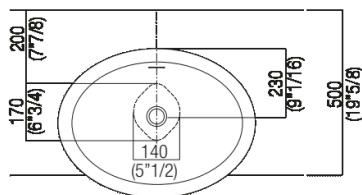
Holes for countertop washbasins and top mounted taps for top

**PIANO cm 50 / COUNTERTOP cm 50**

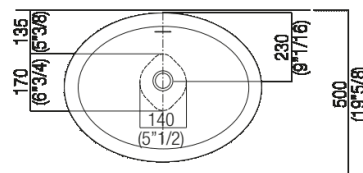
Posizione standard per rubinetto su piano  
Standard position for top mounted tap



Posizione standard per rubinetto a parete  
Standard position for wall mounted tap



Posizione speciale per rubinetto Sen a parete e Square con bocca curva  
Special position for wall mounted tap Sen and Square white curved spout



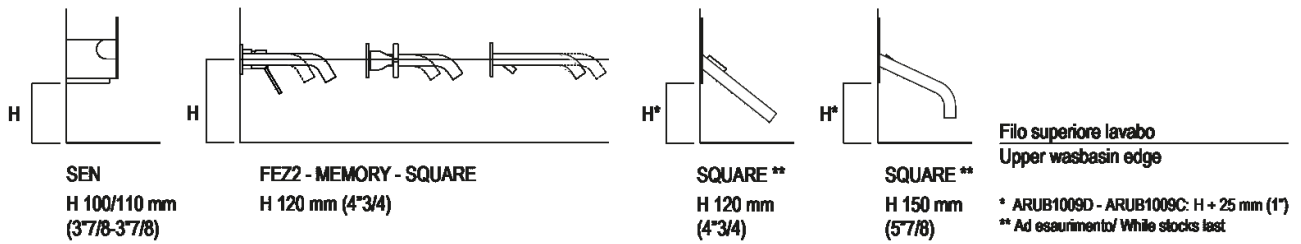




**Tap position, recommended height**

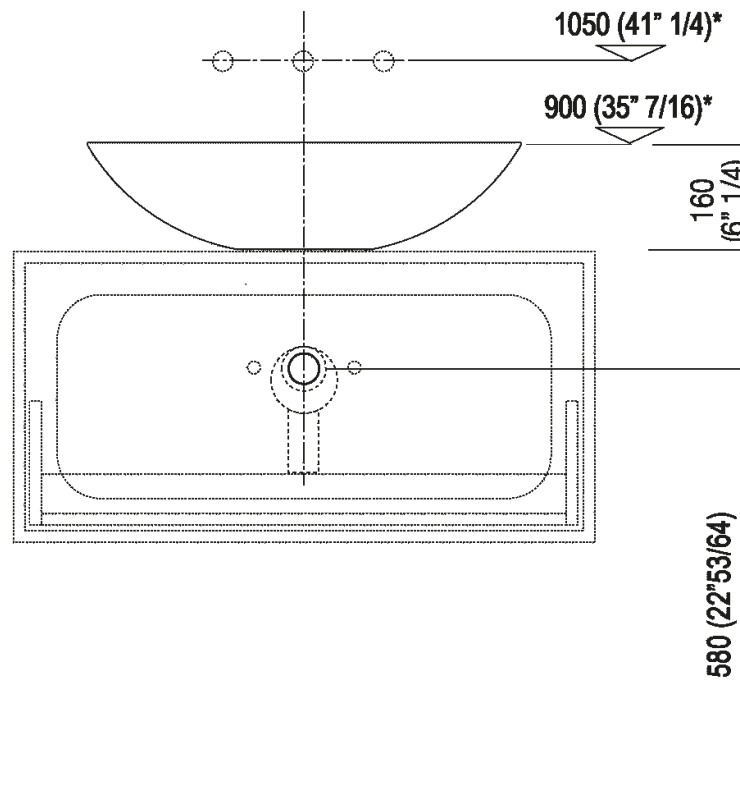
**POSIZIONE RUBINETTERIA / TAP POSITION**

Altezza consigliata / Recommended height





Installation notes: on casing H 40 cm Lato

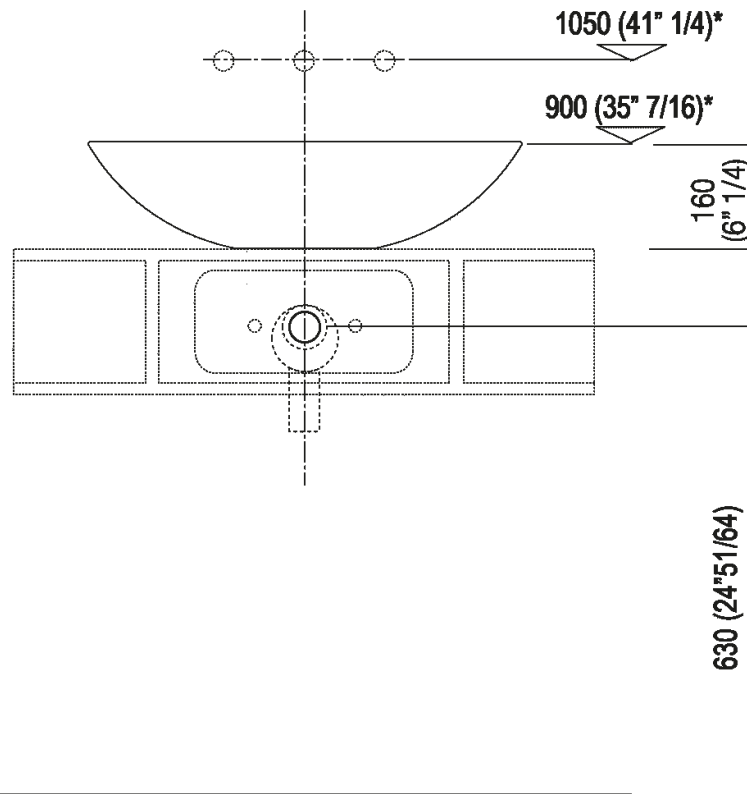


**Scarico per sifone a bottiglia e ad incasso**  
**Drain for bottle trap and concealed waste trap**

\*h.consigliata / advised h.



Installation notes: on casing H 20 cm Lato



**Scarico per sifone a bottiglia e ad incasso**  
**Drain for bottle trap and concealed waste trap**

**\*h.consigliata / advised h.**