

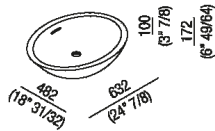


Semi-recessed washbasin

ACER0713IZ

Benedini Associati, 2005

Cristalplant® biobased washbasin.



Finiture



White

Materiali



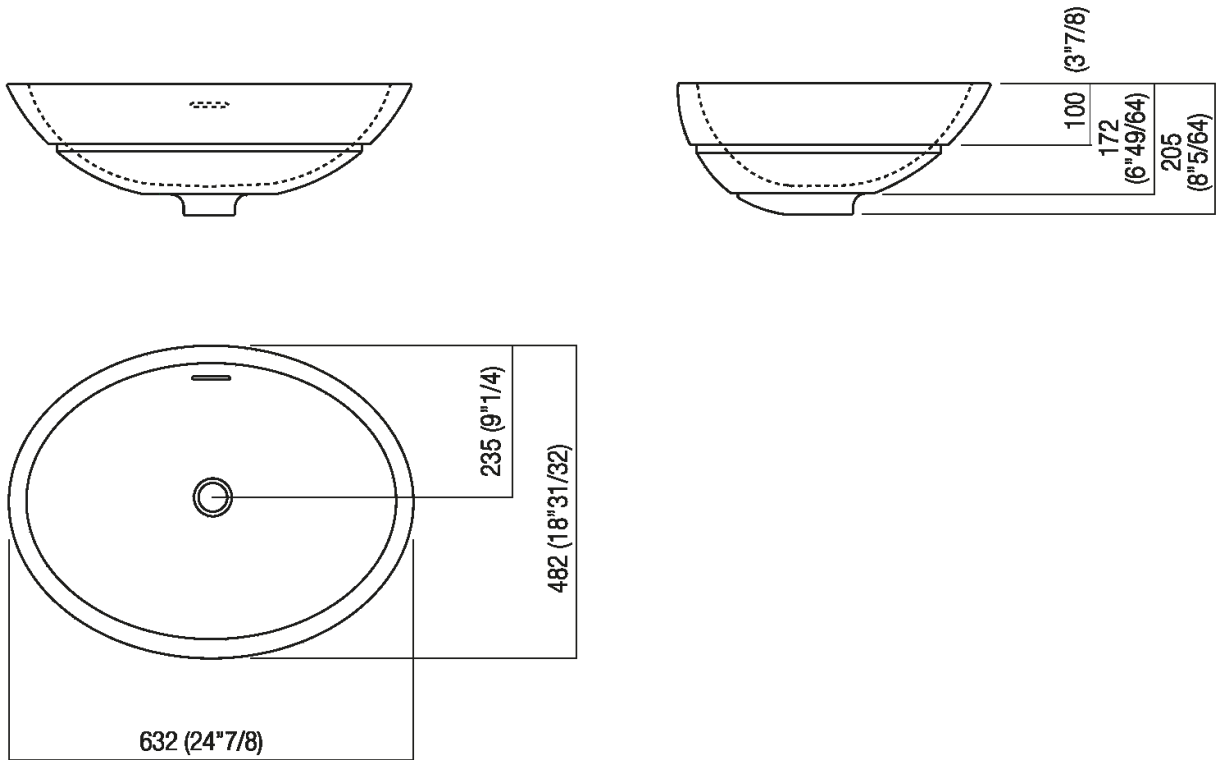
Cristalplant® biobased

Semi-recessed oval washbasin made from white Cristalplant® biobased without tap hole, with overflow hole. Designed for waste .MET0346P, .MET0562 or, with concealed waste trap .PLA0456, .MET0508L.

Altezza:	17.2 cm	6" 49/64 inches
Larghezza:	63.2 cm	24" 7/8 inches
Peso:	17 kg	37 lbs
Profondità :	48.2 cm	18" 31/32 inches
Capacità:	9 l	2 gal
Confezione:	52 x 66 x 24 cm	20" 1/2 X 26" X 9" 1/2 inches
Peso della confezione:	20 kg	44 lbs

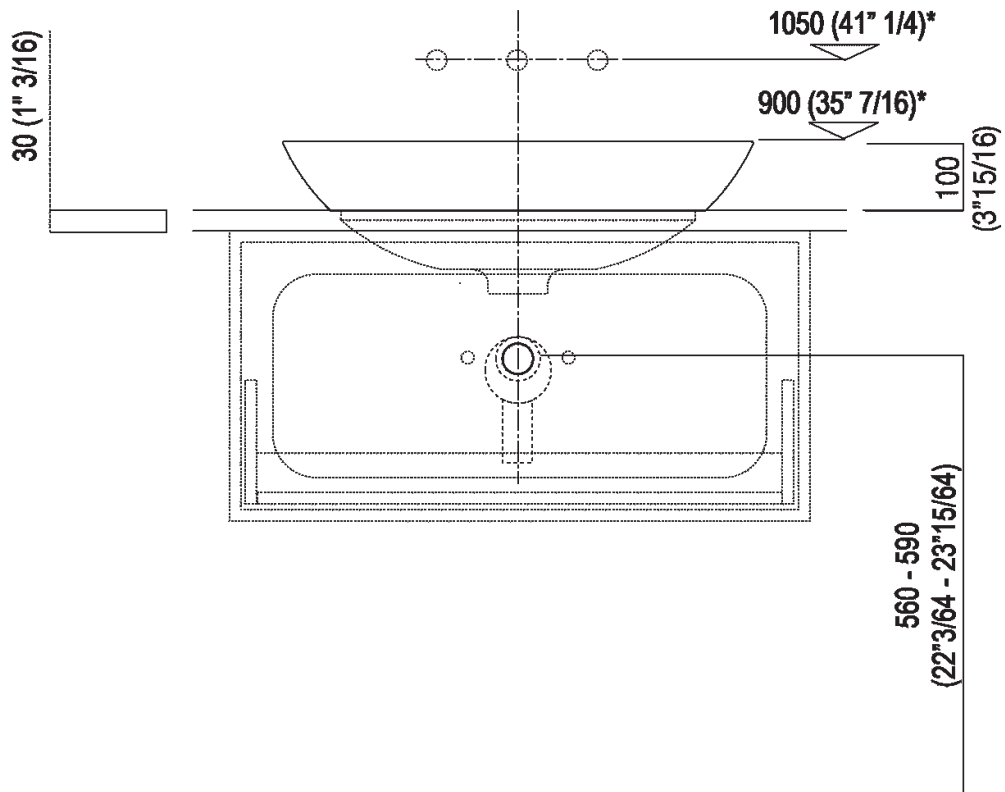


Main dimensions





Installation notes: countertop to be rested on cabinet with thickness cm 3 (1"3/16)

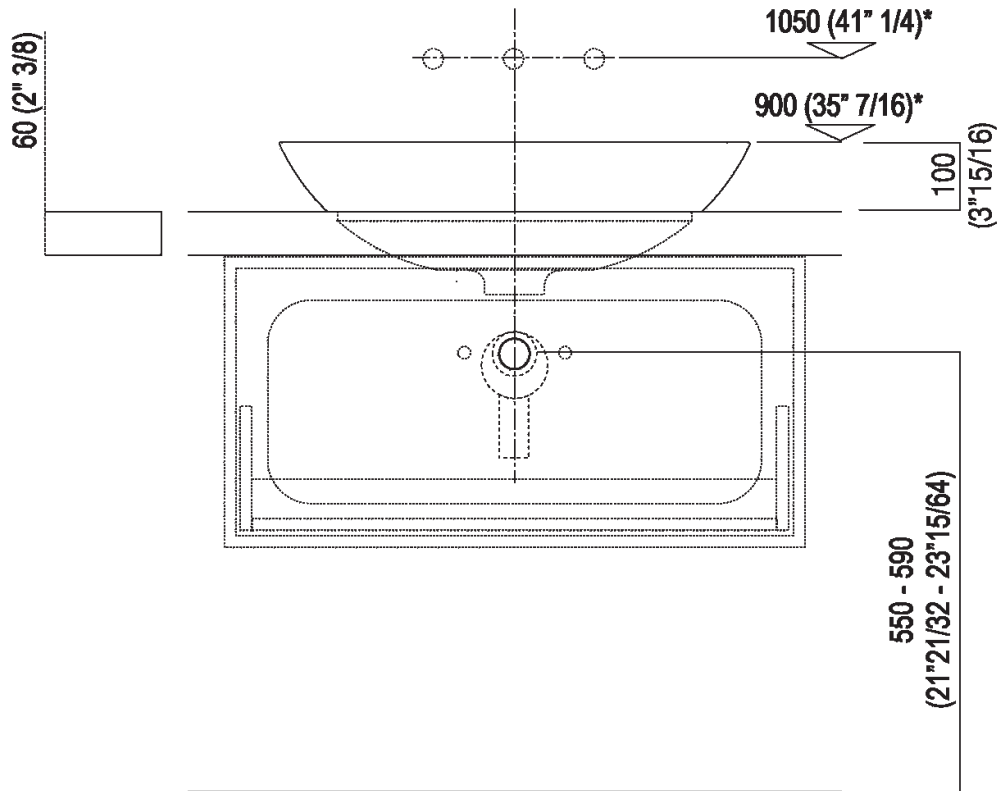


Scarico per sifone a bottiglia e ad incasso
Drain for bottle trap and concealed waste trap

***h.consigliata / advised h.**



Installation notes: countertop to be rested on cabinet with thickness cm 6 (2"3/8)

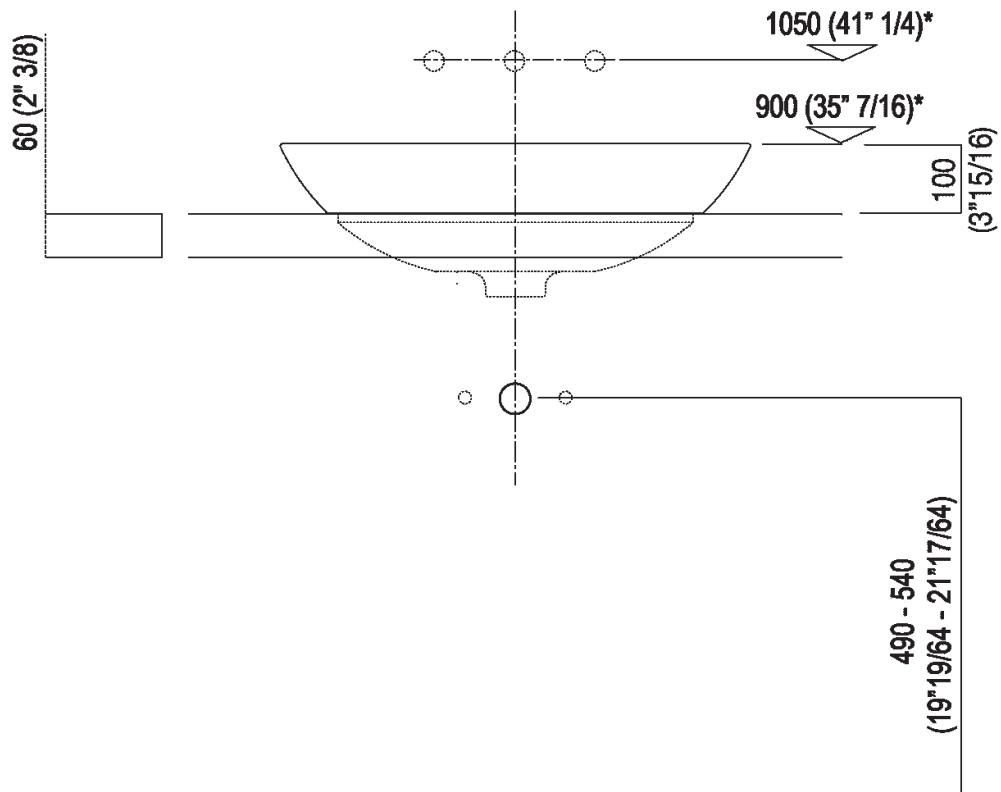


Scarico per sifone a bottiglia e ad incasso
Drain for bottle trap and concealed waste trap

*h.consigliata / advised h.



Installation notes: countertop with concealed wall
 fixings/freestanding with thickness cm 6 (2"3/8)

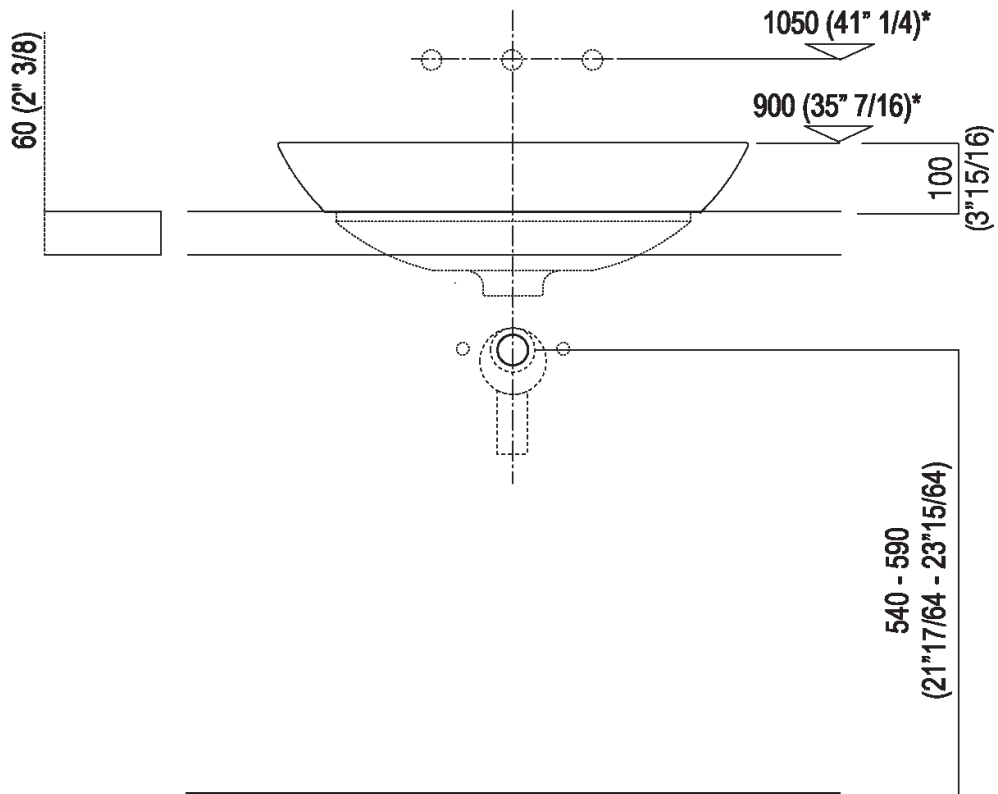


Scarico per sifone a bottiglia
Drain for bottle trap

*h.consigliata / advised h.



Installation notes: countertop with concealed wall
 fixings/freestanding with thickness cm 6 (2"3/8)

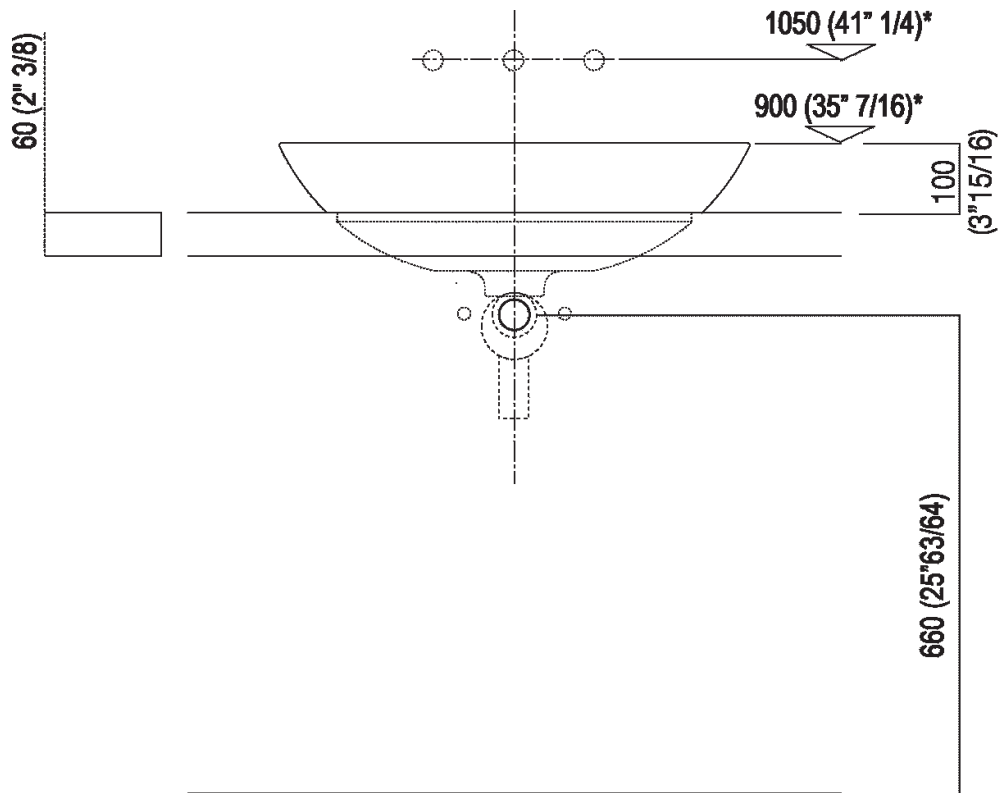


Scarico per sifone ad incasso
Drain for concealed waste trap

***h.consigliata / advised h.**



**Installation notes: countertop with concealed wall
 fixings/freestanding with thickness cm 6 (2"3/8)**

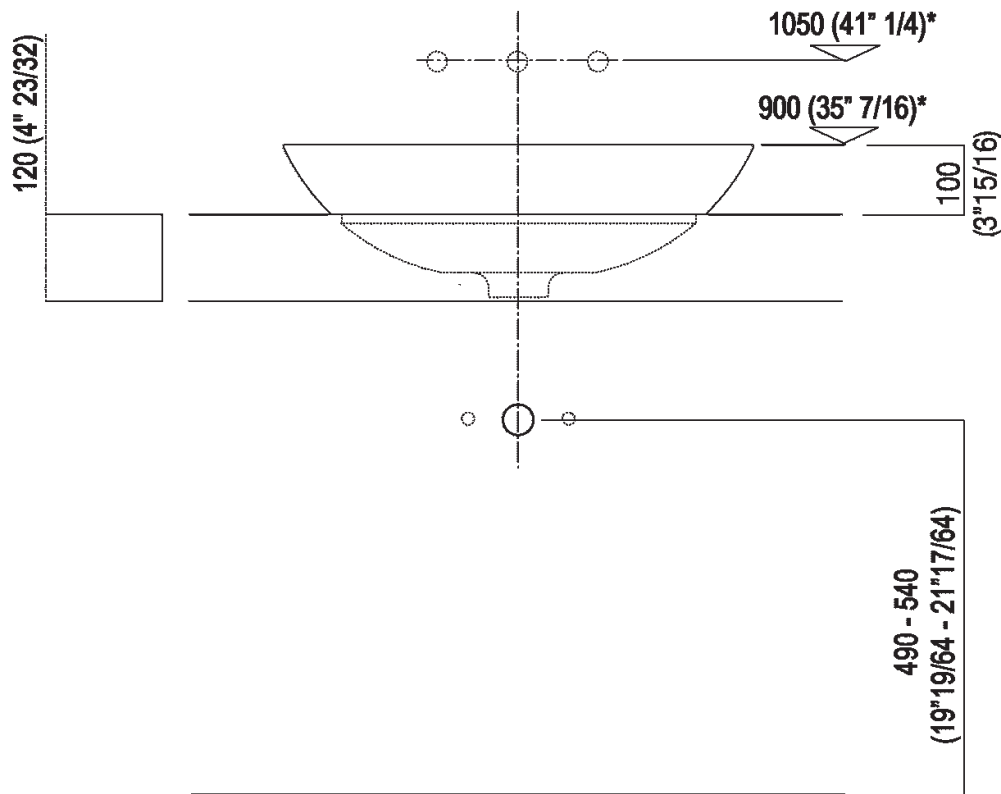


Scarico per sifone ad incasso e piletta con canotto fisso
Drain for concealed waste trap with not adjustable pipe

***h.consigliata / advised h.**



Installation notes: countertop with concealed wall
 fixings/freestanding with thickness cm 12 (4"23/32)

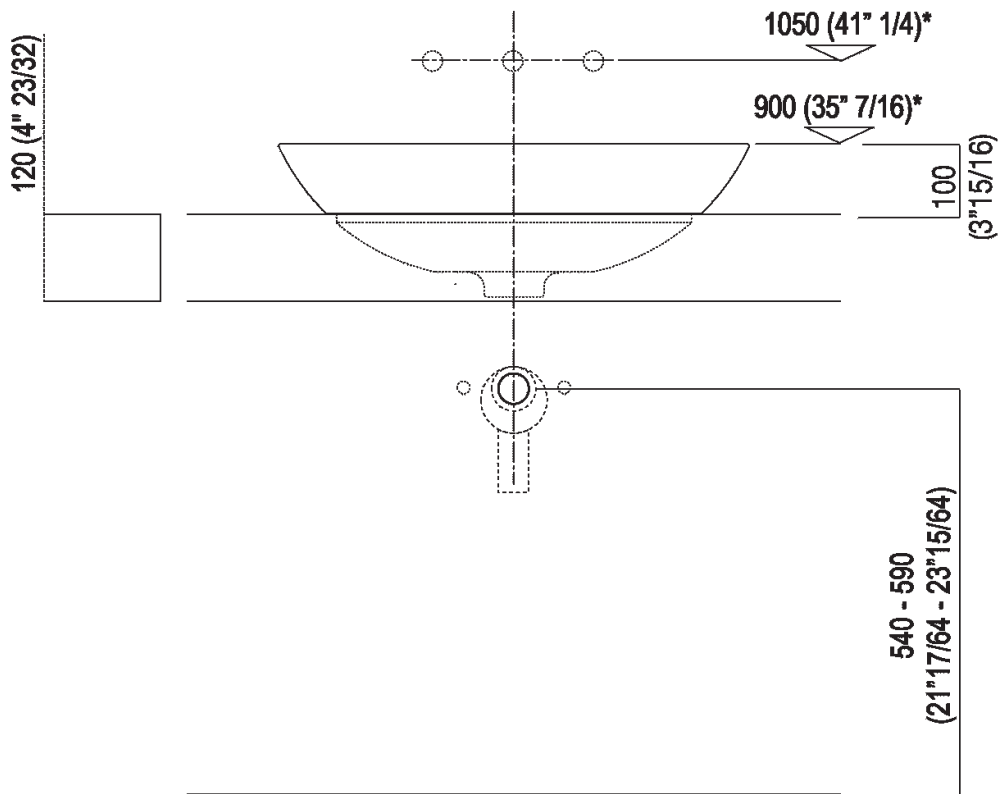


Scarico per sifone a bottiglia
Drain for bottle trap

*h.consigliata / advised h.



Installation notes: countertop with concealed wall
 fixings/freestanding with thickness cm 12 (4"23/32)

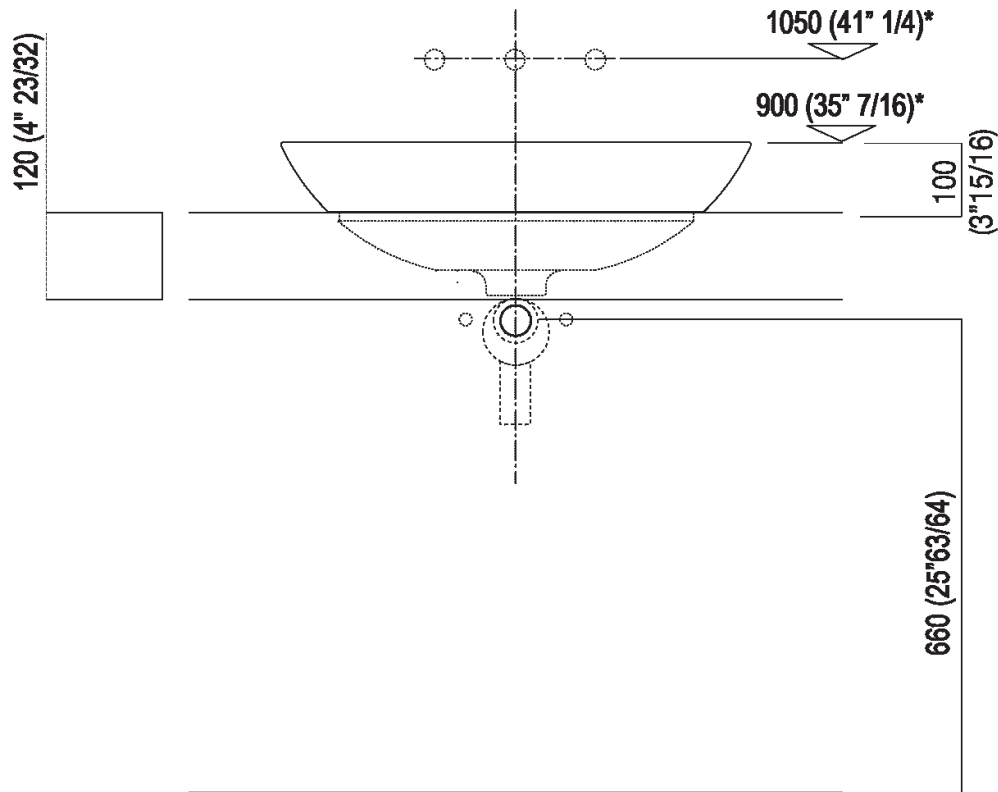


Scarico per sifone ad incasso
 Drain for concealed waste trap

*h.consigliata / advised h.



Installation notes: countertop with concealed wall
 fixings/freestanding with thickness cm 12 (4"23/32)

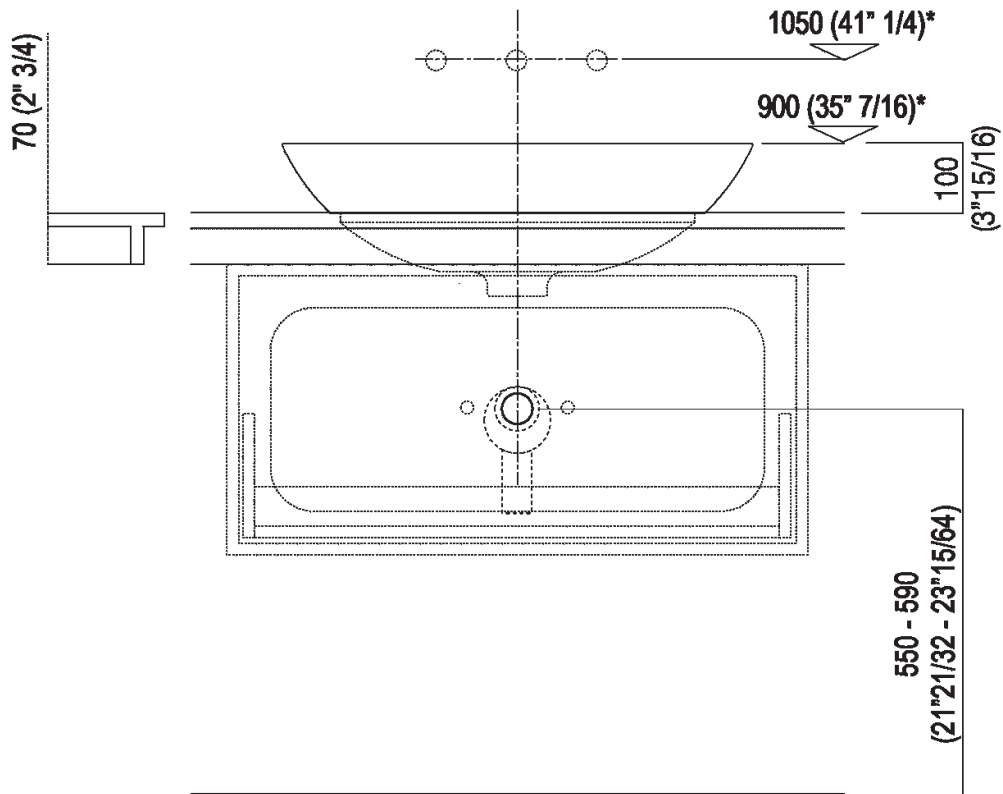


Scarico per sifone ad incasso e piletta con canotto fisso
Drain for concealed waste trap with not adjustable pipe

*h.consigliata / advised h.



Installation notes: countertop Evoluzione



Scarico per sifone a bottiglia e ad incasso
Drain for bottle trap and concealed waste trap

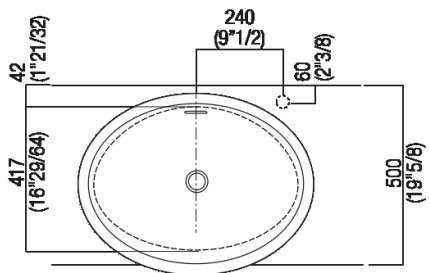
*h.consigliata / advised h.



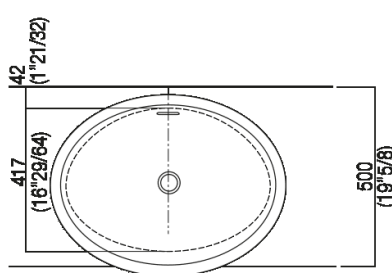
Holes for semi-recessed washbasins and top mounted taps for top

PIANO cm 50 / COUNTERTOP cm 50

Posizione standard per rubinetto su piano
Standard position for top mounted tap



Posizione standard per rubinetto a parete
Standard position for wall mounted tap



Posizione speciale per rubinetto Sen a parete e Square con bocca curva
Special position for wall mounted tap Sen and Square white curved spout

NON NECESSARIA
NOT NECESSARY



Tap position, recommended height

POSIZIONE RUBINETTERIA / TAP POSITION

Altezza consigliata / Recommended height

