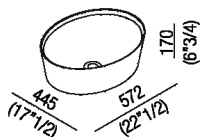




Over countertop washbasin  
 ACER0661\_

Benedini Associati, 2011

Over countertop Ceramilux® washbasin.



Oval-shaped over countertop washbasin in white Ceramilux® without tap holes, without overflow. Designed for waste .MET0563.

**Finiture**

-  Glossy white
-  Matt white

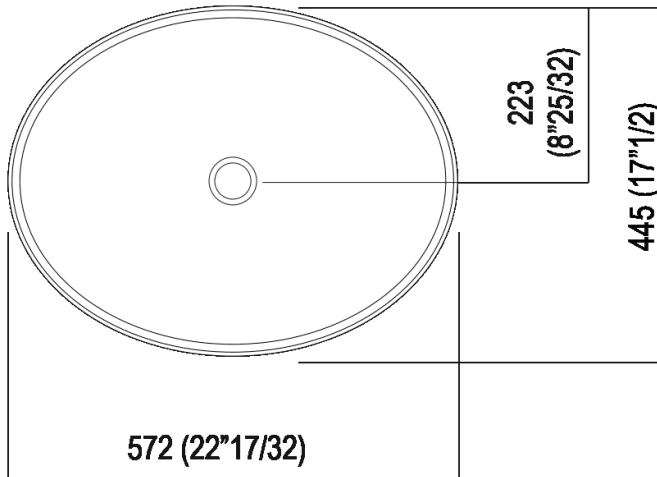
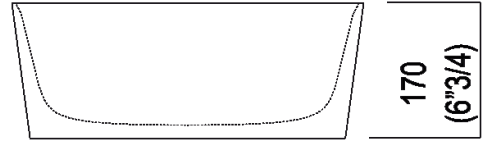
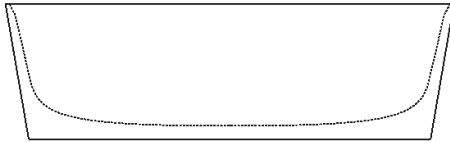
**Materiali**

-  Ceramilux®

Altezza:	17 cm	6" 3/4 inches
Larghezza:	57.2 cm	22" 1/2 inches
Peso:	10 kg	22 lbs
Profondità :	44.5 cm	17" 1/2 inches
Capacità:	7 l	2 gal
Confezione:	45 x 70 x 24 cm	17" 6/8 x 27" 4/8 x 9" 4/8 inches
Peso della confezione:	12 kg	26 lbs

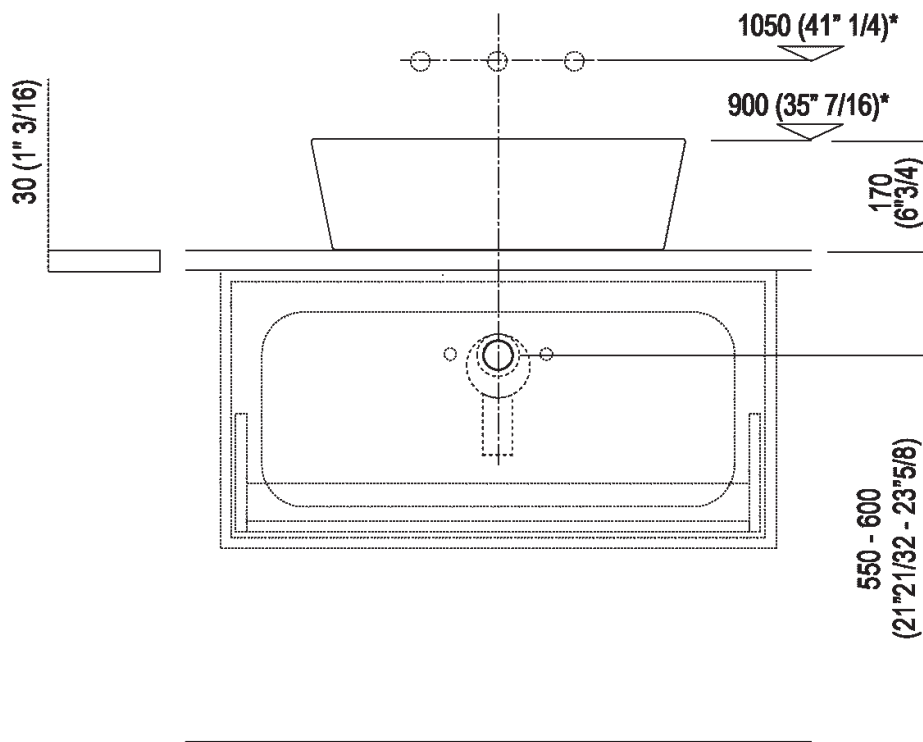


Main dimensions





Installation notes: countertop to be rested on cabinet with thickness cm 3 (1"3/16)



**Scarico per sifone a bottiglia e ad incasso**  
**Drain for bottle trap and concealed waste trap**

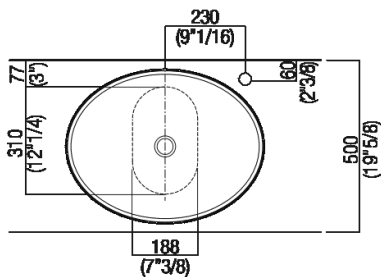
\*h.consigliata / advised h.



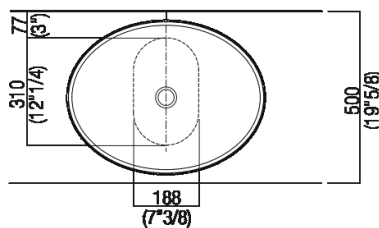
Holes for countertop washbasins and top mounted taps for top

**PIANO cm 50 / COUNTERT OP cm 50**

Posizione standard per rubinetto su piano  
 Standard position for top mounted tap



Posizione standard per rubinetto a parete  
 Standard position for wall mounted tap

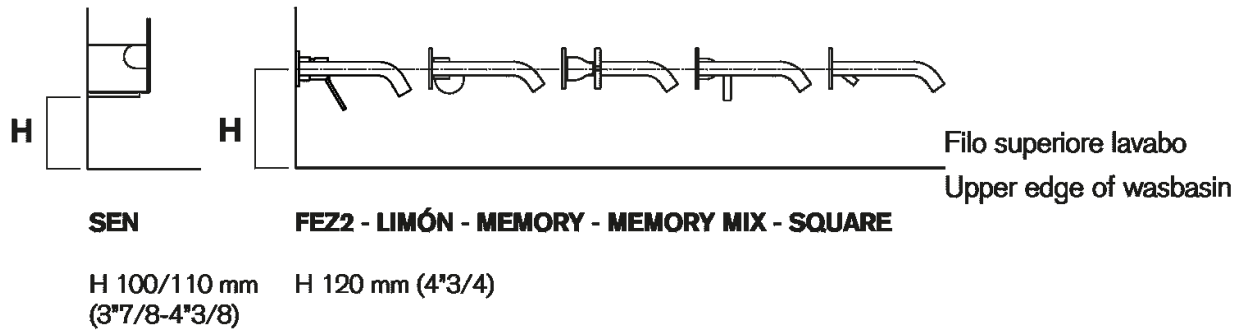


Posizione speciale per rubinetto Sen a parete e Square con bocca curva  
 Special position for wall mounted tap Sen and Square white curved spout

**NON NECESSARIA**  
**NOT NECESSARY**

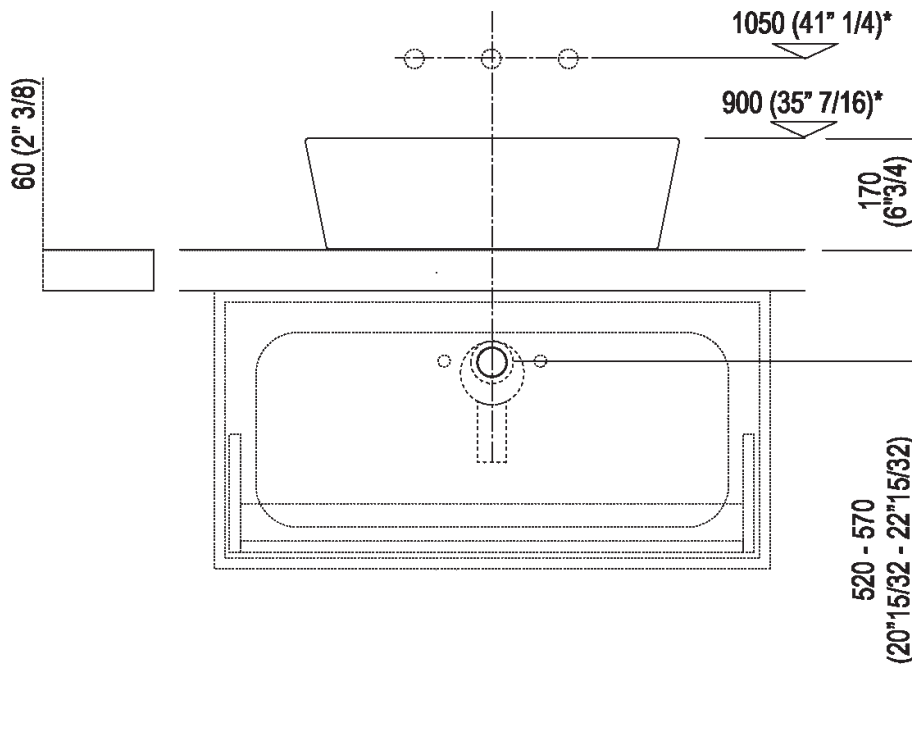


Tap position, recommended height





Installation notes: countertop to be rested on cabinet with thickness cm 6 (2"3/8)

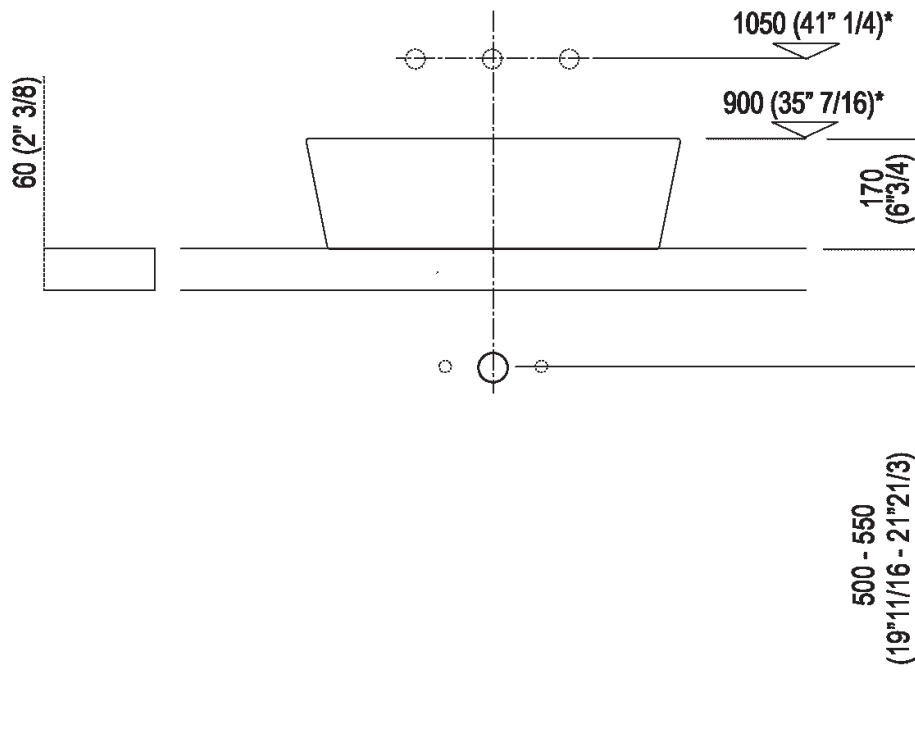


**Scarico per sifone a bottiglia e ad incasso**  
**Drain for bottle trap and concealed waste trap**

\*h.consigliata / advised h.



Installation notes: countertop with concealed wall  
 fixings/freestanding with thickness cm 6 (2"3/8)

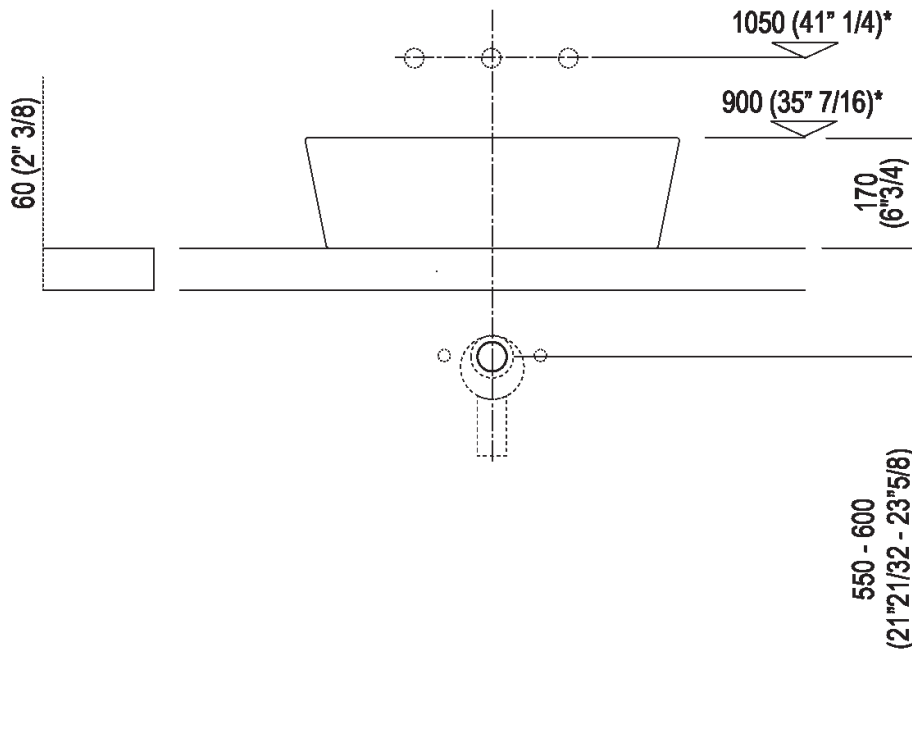


**Scarico per sifone a bottiglia**  
**Drain for bottle trap**

\*h.consigliata / advised h.



Installation notes: countertop with concealed wall  
 fixings/freestanding with thickness cm 6 (2"3/8)



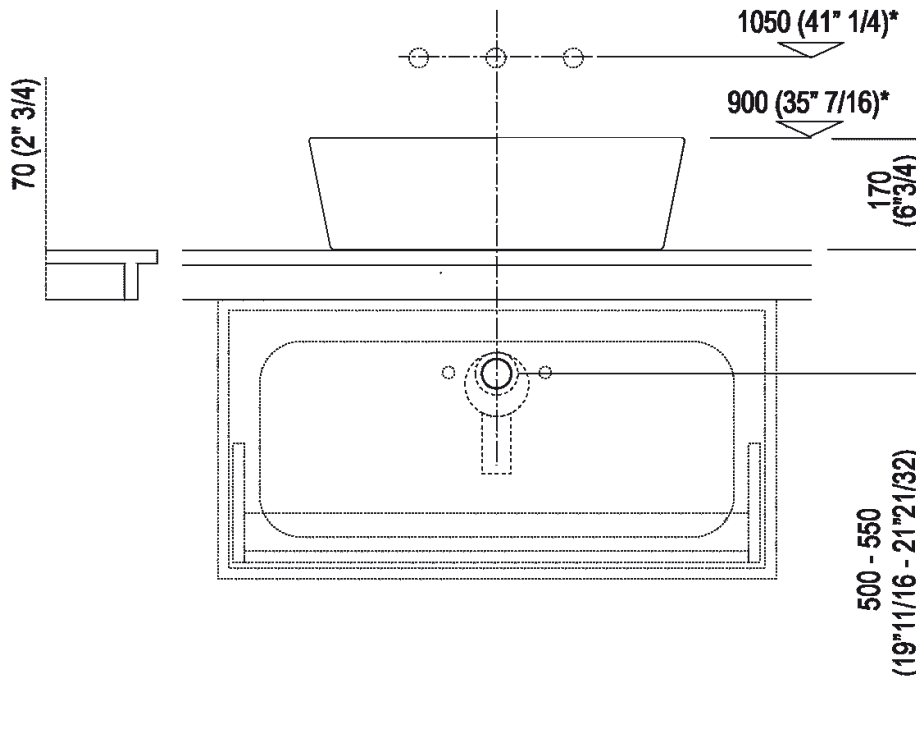
Scarico per sifone ad incasso  
 Drain for concealed waste trap

\*h.consigliata / advised h.





**Installation notes: countertop Evoluzione**

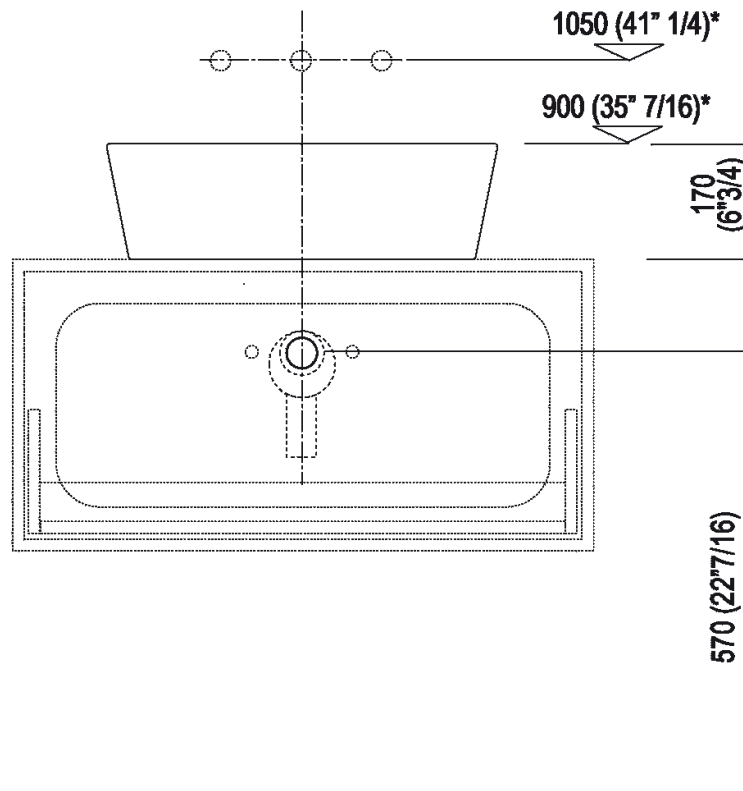


**Scarico per sifone a bottiglia e ad incasso**  
**Drain for bottle trap and concealed waste trap**

**\*h.consigliata / advised h.**



Installation notes: on casing H 40 cm Lato

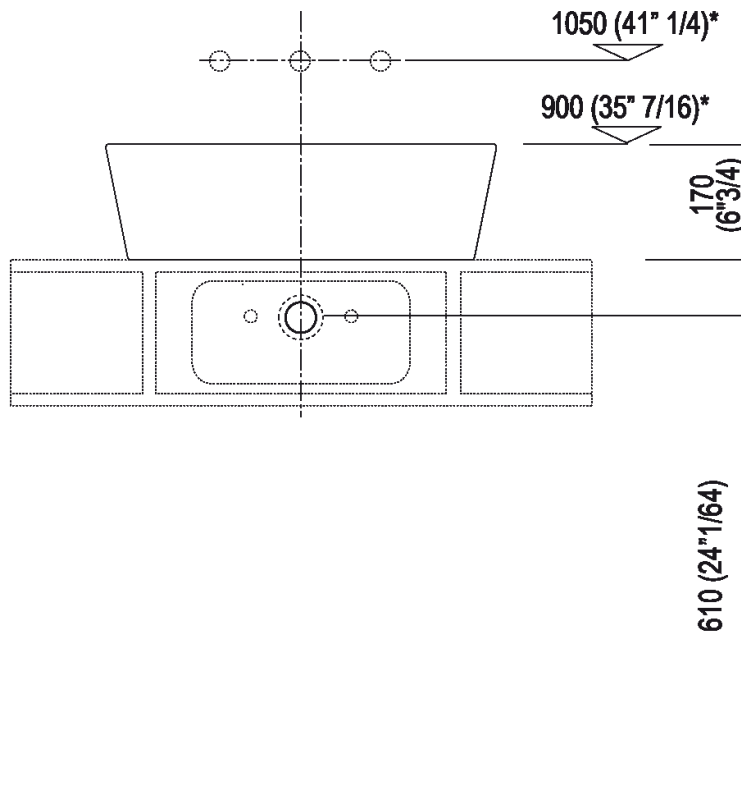


**Scarico per sifone a bottiglia o ad incasso**  
**Drain for bottle trap or concealed waste trap**

*\*h.consigliata / advised h.*



Installation notes: on casing H 20 cm Lato



**Scarico per sifone a bottiglia**  
**Drain for bottle trap**

\*h.consigliata / advised h.