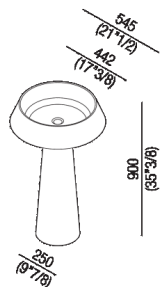




Column washbasin designed for wall drainage  
 ACER1082M\_

Angelo Mangiarotti, 2011 (1970)

Independent marble or Cristalplant® biobased washbasin.



**Finiture**

- White
- White Carrara
- Grey Carnico
- Black Marquina
- Green Alpi
- Dark Emperador

**Materiali**

- Cristalplant® biobased
- Marble

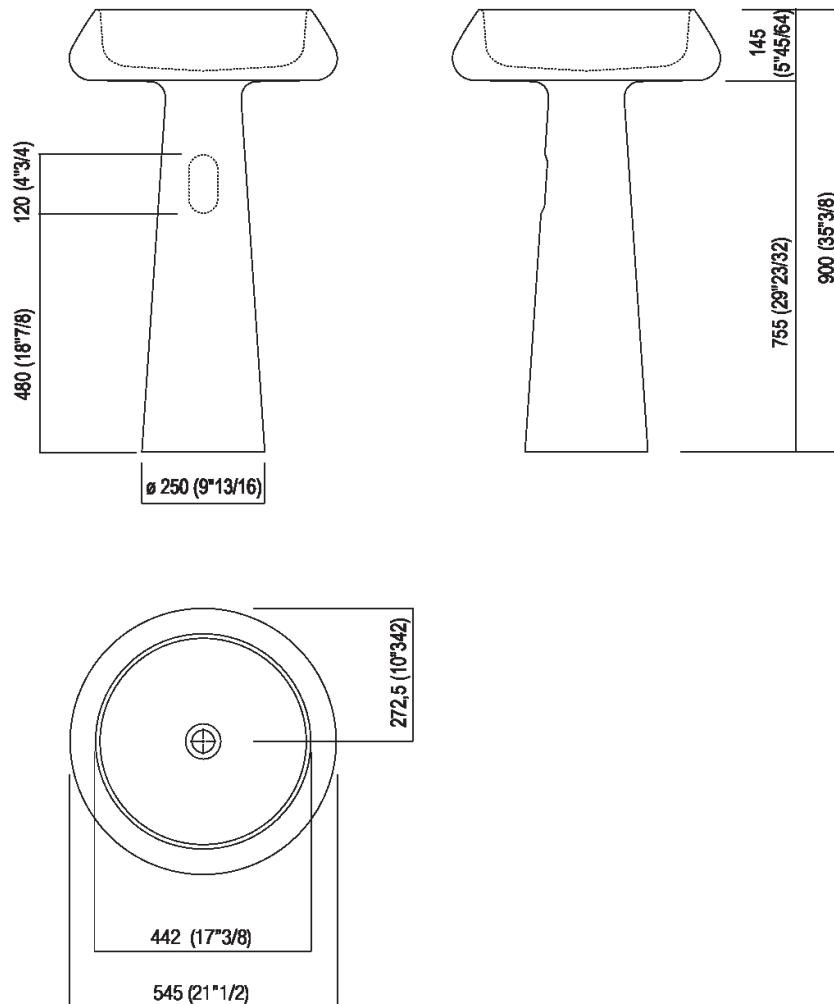
Washbasin in white Carrara marble, grey carnic marble, black Marquina marble, green Alpi marble, dark Emperador marble or in white Cristalplant® biobased, with cone segment shaped basin and pedestal, without tap hole and without overflow, fixing kit included. Available in wall mounted or free standing version. The wall-mounted version is furnished with a rear slot for water connections. Both versions require a .MET0563 waste. For the version with floor drainage the waste trap .MET0475 has to be used.

Altezza:	90 cm	35" 3/8 inches
Diametro:	54.5 cm	21" 1/2 inches
Peso:	25 kg	55 lbs
Confezione:	57 x 57 x 95 cm	22" 4/8 x 22" 4/8 x 37" 3/8 inches
Peso della confezione:	27 kg	60 lbs

Note: The washbasin can be delivered also in stone or marble types on demand, price to be calculated. The above measurements refer to the Cristalplant® biobased version, for the marble version the measurements are: Weight: 209 lbs Packaging: 21" 5/8 x 26" 6/8 x 31" 4/8 Gross weight: 254 lbs

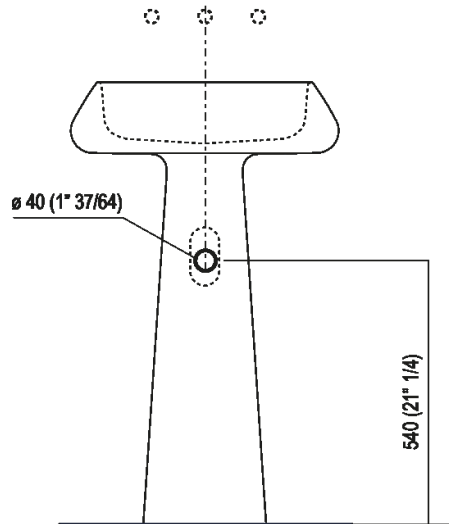


Main dimensions - Cristalplant® biobased version

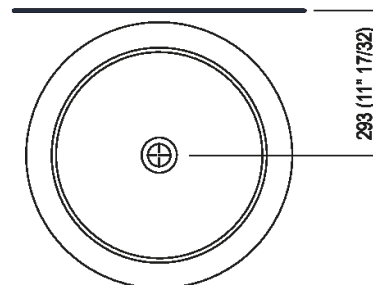




Installation notes: wall mounted tap

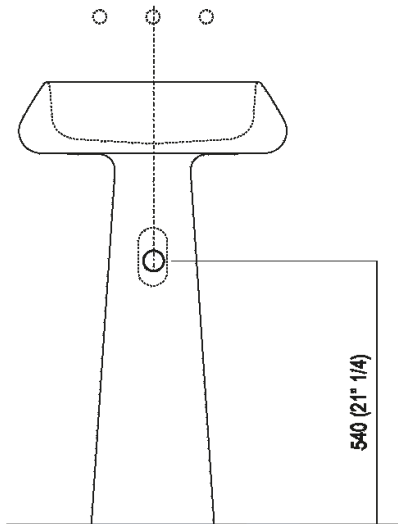


Scarico per sifone a bottiglia  
Drain for bottle trap

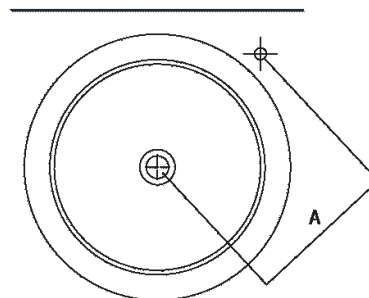




**Installation notes: floor-mounted tap**



**Scarico per sifone a bottiglia**  
**Drain for bottle trap**



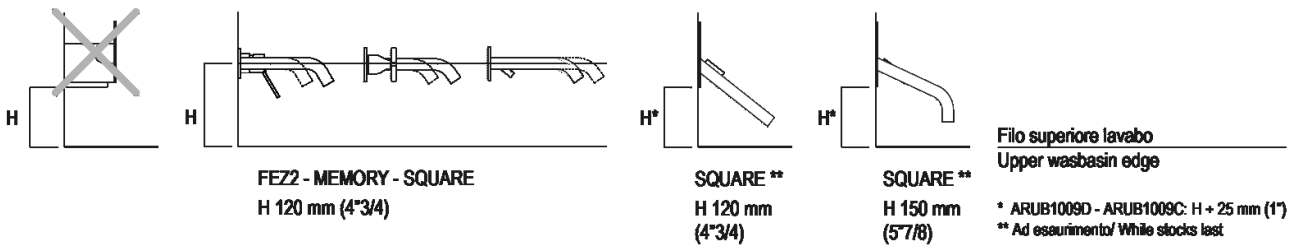
	A
FEZ	353 (13"57/64)
SEN	303 (11"59/64)
MEMORY	353 (13"57/64)
SQUARE	303 (11"59/64)



Tap position Recommended height

**POSIZIONE RUBINETTERIA / TAP POSITION**

Altezza consigliata / Recommended height





Main dimensions - marble version

