

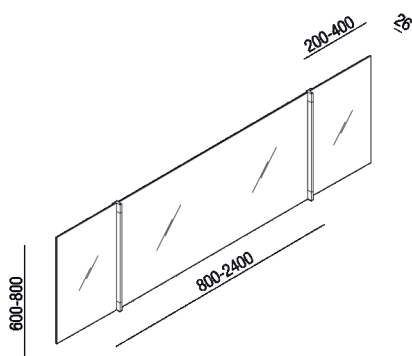


Mirror with squared flaps

ANAR_0_0_H_

Benedini Associati, 2003

Mirror split into one large centre panel and two double-sided pivoting panels.



Modular rectangular mirror with visible hinges in polished stainless steel, with height 60 cm (23" 5/8). Divided into three elements with polished edges and safety film. Central element with standard or custom measures; two-sided adjustable lateral elements in different shapes and widths. Optional switch always positioned at the centre of the bottom edge. The mirror is fixed to the wall by means of screws and wall plugs.

Altezza: 60 cm 23" 5/8 inches

Profondità : 2.6 cm 1" 1/32 inches

Note: Central part length: cm 80 / 240 (25" 3/4; 5/8 - 94" 3/4; 1/2) Side element length: cm 20 / 40 (7" 3/4; 7/8 - 15" 3/4; 3/4)



Main dimensions

