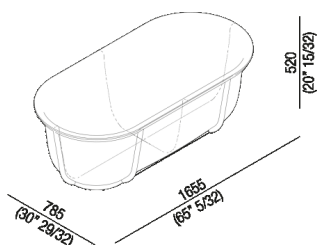




Bathtub
 AVAS1079_

Patricia Urquiola, 2015

Solid Surface free-standing bathtub with rounded shapes.



Materiali



solid surface



Stainless steel

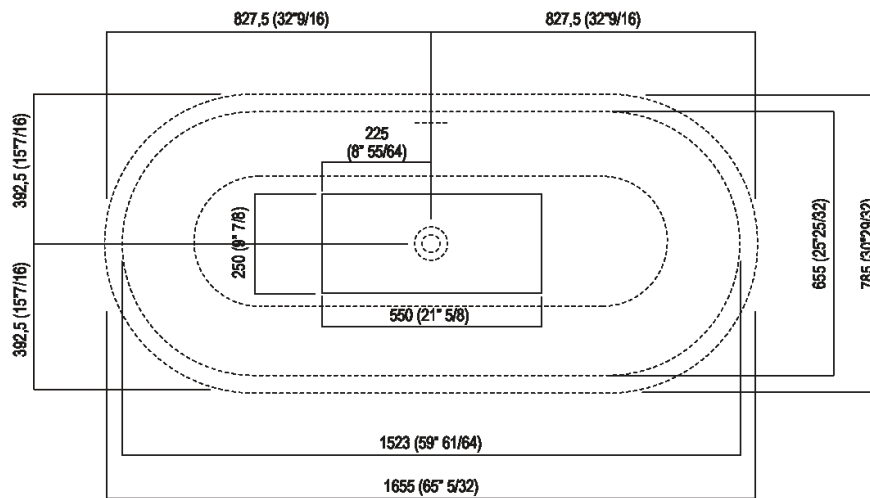


Bathtub in white or two-tone Solid surface (exterior in dark grey RAL7021 or light grey RAL7044) and support structure in tubular stainless steel coated in mat white (RAL9003), mat black (RAL9005) or mat light grey (RAL7044) or brushed burnished finishes. The bathtub comes with chrome waste with built-in overflow system .MET0722S (.MET0434 for bathtubs on view). Without tap holes, taps can be installed on the wall or floor. For an easier installation of the bathtubs we recommend to use the template for the positioning of the waste trap AKITPZVAS. The bathtub and the structure can also be supplied with colours requested by the client, with a surcharge of 15%; for the bathtub on the price of the two-coloured finish, for the structure on the cost of the white finish. Different finishes of the structure are possible too, with price to be calculated.

Altezza:	52 cm	20" 15/32 inches
Larghezza:	165.5 cm	65" 5/32 inches
Peso:	33 kg	73 lbs
Profondità :	78.5 cm	30" 29/32 inches
Capacità:	220 l	58 gal
Confezione:	89 x 175 x 78 cm	35" 3/64 x 68" 7/8 x 30" 3/4 inches
Peso della confezione:	69 kg	152 lbs

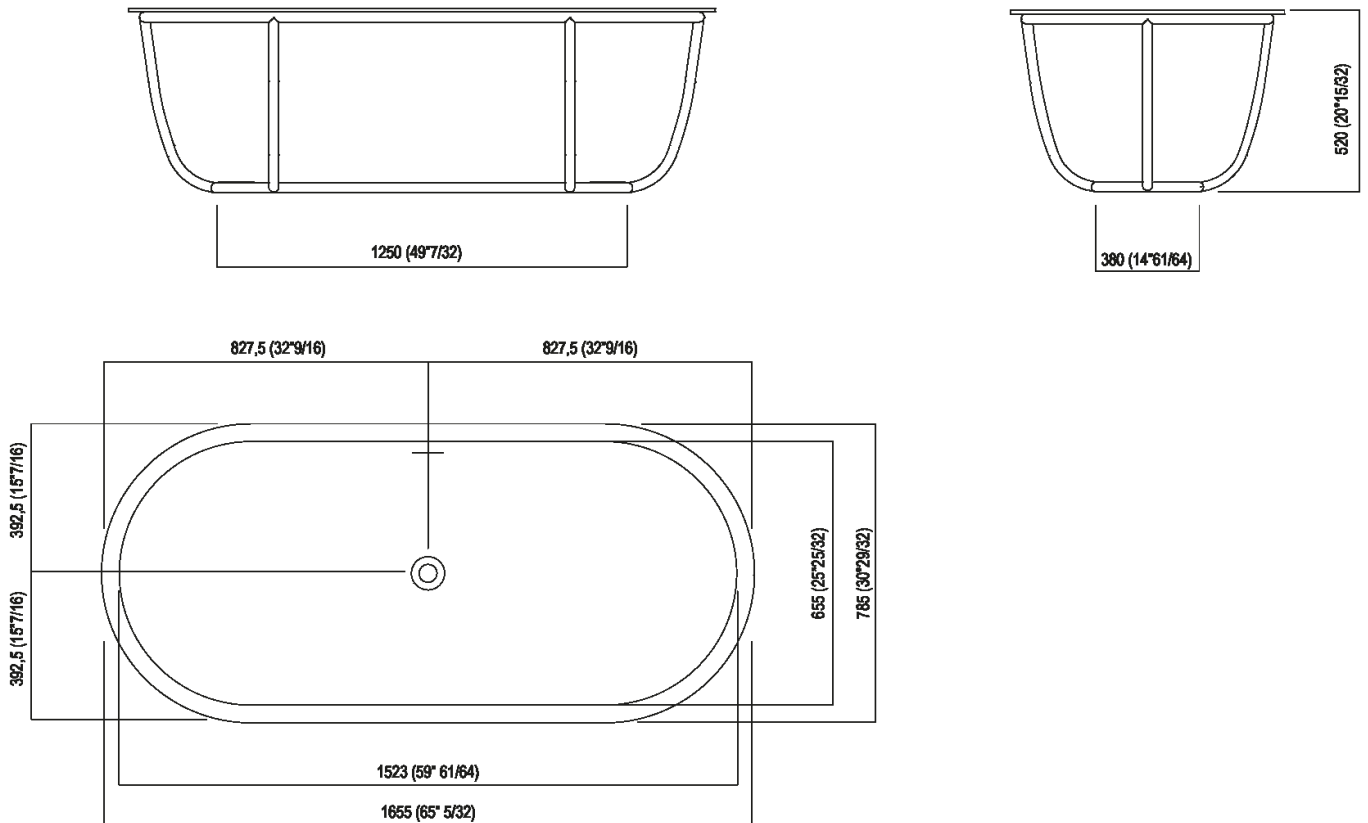


Dimensions for recess



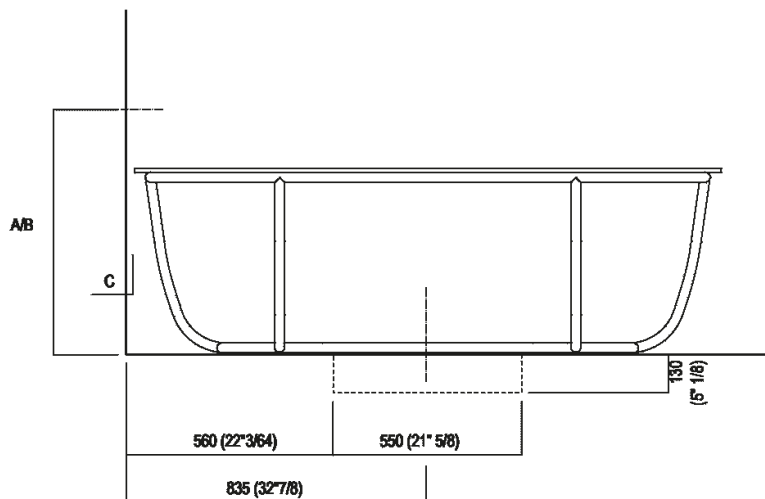
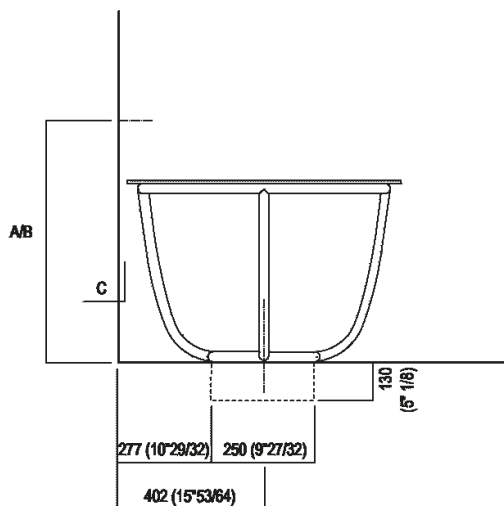


Main dimensions





Dimensions for wall mounted taps

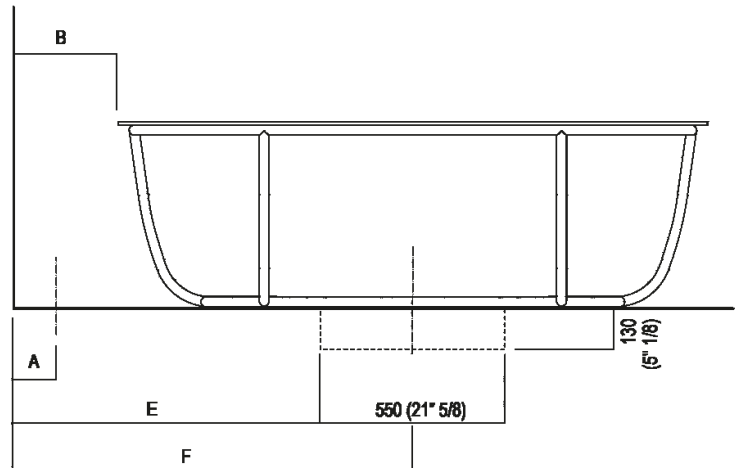
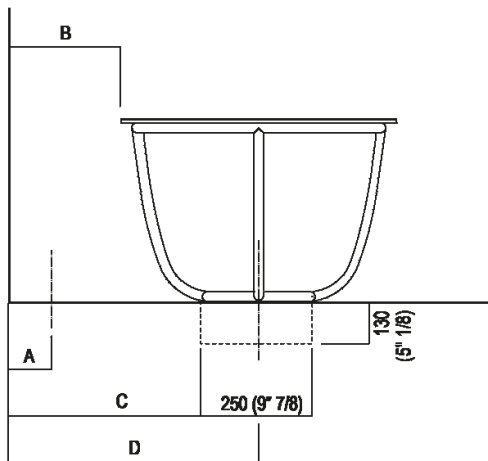


	A*	B**	C
FEZ 2 (EFEZ027)	670 (26 ³ / ₈)	-	80 (3 ⁵ / ₃₂)
LIMÓN (ELIM443)	670 (26 ³ / ₈)	-	80 (3 ⁵ / ₃₂)
MEMORY (EMEM324, EMEM343)	670 (26 ³ / ₈)	-	80 (3 ⁵ / ₃₂)
(EMEM342)	670 (26 ³ / ₈)	-	50 (1 ³¹ / ₃₂)
MEMORY MIX (EMIX437)	670 (26 ³ / ₈)	-	50 (1 ³¹ / ₃₂)
SQUARE (ERUB1117)	-	670 (26 ³ / ₈)	50 (1 ³¹ / ₃₂)
(ERUB1118)	-	670 (26 ³ / ₈)	80 (3 ⁵ / ₃₂)
SEN (ESEN0912)	-	670 (26 ³ / ₈)	50 (1 ³¹ / ₃₂)

* inserisse gruppo / axial distance for tap
** filo inferiore gruppo / Tap's lower edge



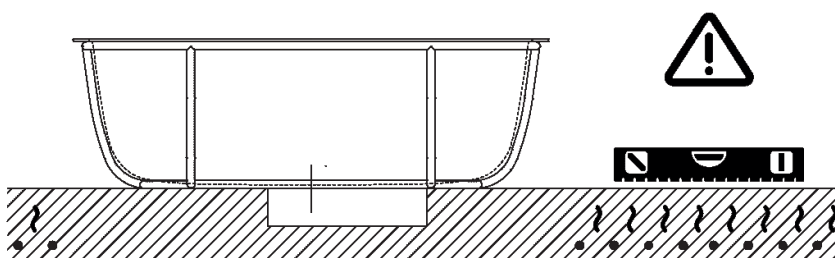
Dimensions for freestanding spouts



	A	B	C	D	E	F
FEZ 2 (EFEZ026, .MET885)	90 (3*35/64)	170 (6*11/16)	438 (17*1/4)	563 (22*11/64)	722 (28*27/64)	997 (39*1/4)
(EFEZ028)	135 (5*5/16)	230 (9*1/16)	498 (19*39/64)	623 (24*17/32)	782 (30*25/32)	1057 (41*39/64)
LIMÓN (ELIM425)	135 (5*5/16)	230 (9*1/16)	498 (19*39/64)	623 (24*17/32)	782 (30*25/32)	1057 (41*39/64)
MEMORY MIX (EMIX425)	135 (5*5/16)	230 (9*1/16)	498 (19*39/64)	623 (24*17/32)	782 (30*25/32)	1057 (41*39/64)
LIMÓN / MEMORY / MEMORY MIX (EMEM327)	90 (3*35/64)	170 (6*11/16)	438 (17*1/4)	563 (22*11/64)	722 (28*27/64)	997 (39*1/4)
SQUARE (.ERUB1112, .ERUB1115)	90 (3*35/64)	170 (6*11/16)	438 (17*1/4)	563 (22*11/64)	722 (28*27/64)	997 (39*1/4)
SEN (ESEN0911, ESEN0977)	90 (3*35/64)	130 (5*1/8)	400 (15*3/4)	525 (20*43/64)	685 (26*31/32)	960 (37*51/64)



Notes



**La vasca deve essere installata su un pavimento perfettamente piano.
The bathtub must be positioned on a flat floor surface.**

**E' necessario predisporre a pavimento un pozzetto.
It is necessary to prepare a recess in the floor.**

**Evitare di realizzare impianti di riscaldamento nell'area sottostante la vasca.
Avoid the installation of floor heating plants in the area under the bathtub.**