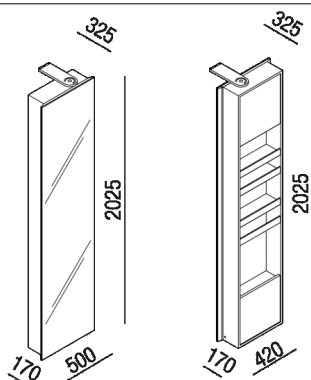




Container base A with mirror exterior and interior with shelves, towel bar and containers AMOB0215AM\_

Alessandro Andreucci, 2022



**Finiture**

-  Natural oak
-  Brown oak
-  Dark oak

**Materiali**

-  Wood



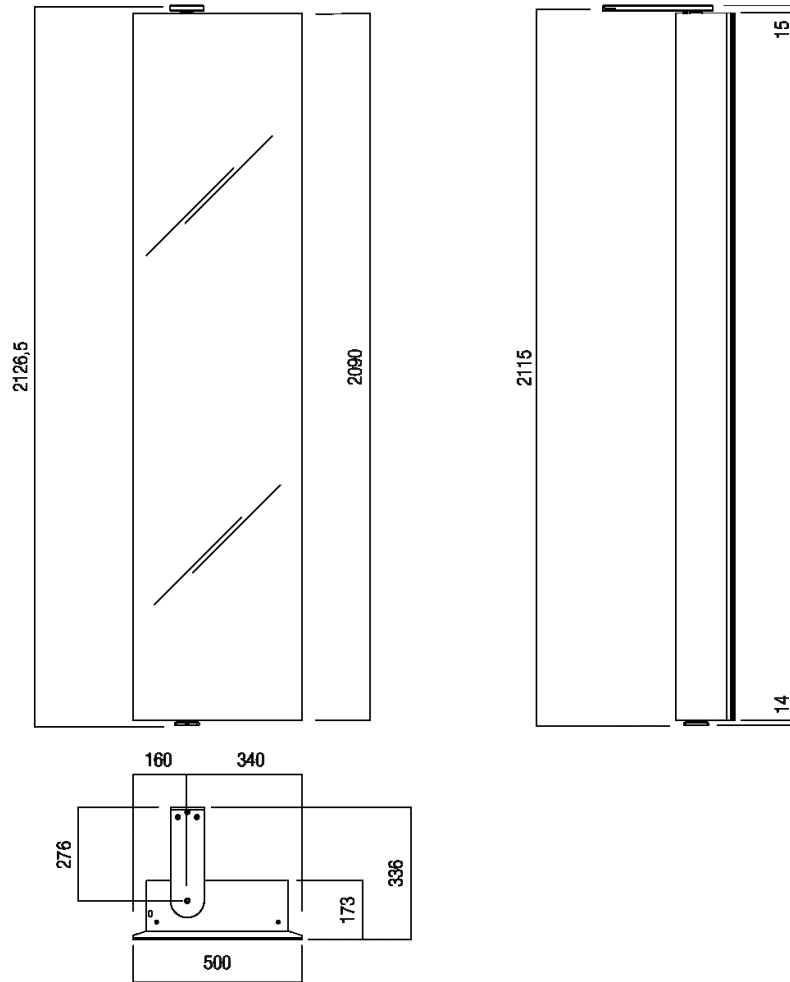
Vertically pivoting container with one side entirely mirrored and the other equipped with storage, shelves, and towel holders. Made of MDF with natural, brown or dark oak coating, available with right or left rotation and two different internal distributions. Voila' can be accessorized, on the inside, with an electric bar to hang various types of adapters for connecting electrical devices and/or with a vertical LED lighting strip. Electricity can be supplied from the top or bottom. Each piece of furniture is fixed to the wall and floor with expansion screws and plugs, fixing kit included.&#10;

Altezza:	202.5 cm	79" 3/4 inches
Larghezza:	50 cm	19" 11/16 inches
Peso:	50 kg	110 lbs
ProfonditÃ :	32.5 cm	12" 3/4 inches
Confezione:	55 x 215 x 22,5 cm	21" 5/8 x 84" 5/8 x 8" 7/8 inches
Peso della confezione:	106 kg	234 lbs

Note: Electrified bar (certified for worldwide standards, except for the USA) for connecting electrical devices. A maximum of 3 adaptors can be connected depending on personal requirements and the standards of the country of installation. Adaptors are available for Italian, English, German and French standards. Voil&#224; can be customized with an internal LED light strip on the left side, including a wire-less switch that can be placed at your convenience.&#10;

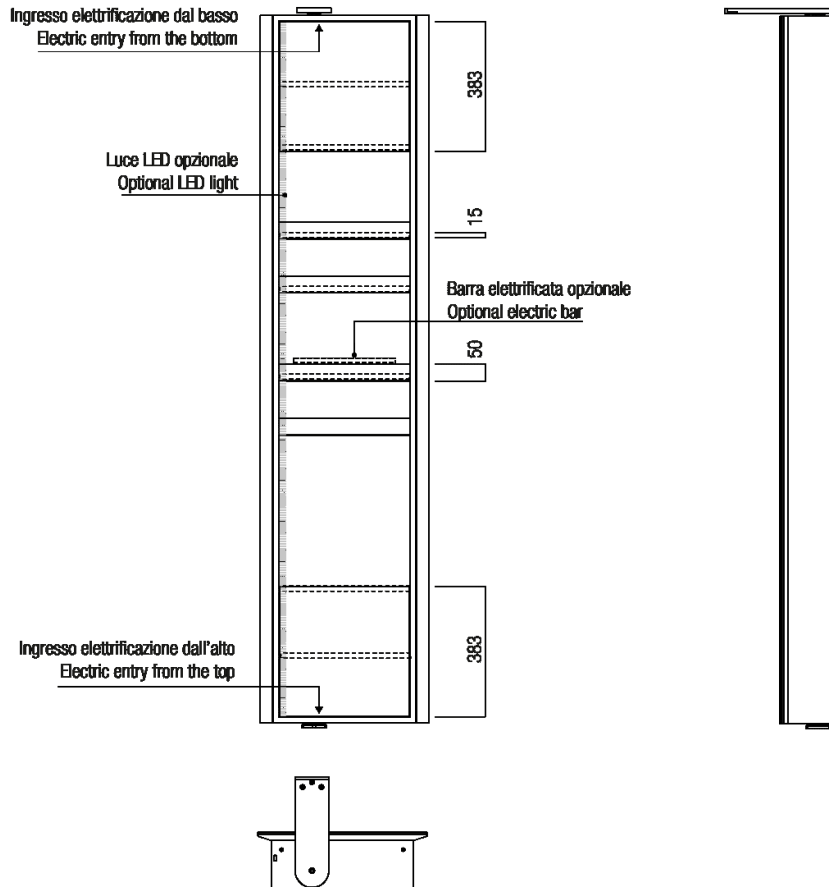


Main dimensions - SX



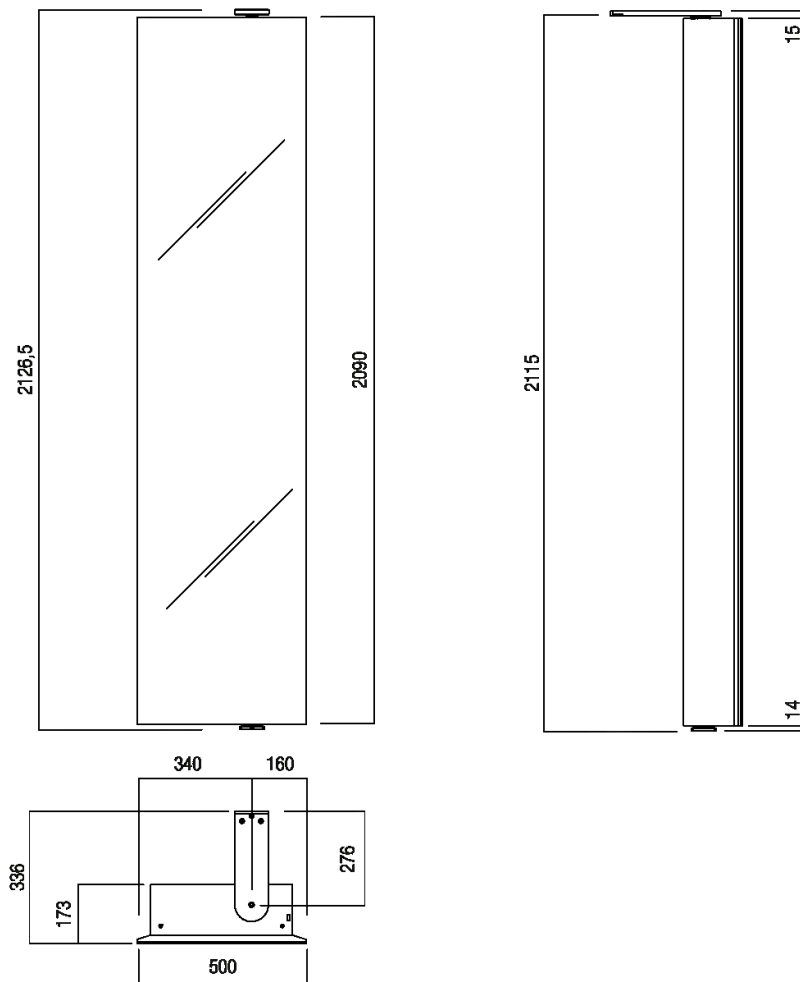


Main dimensions - SX





Main dimensions -DX





Main dimensions -DX

