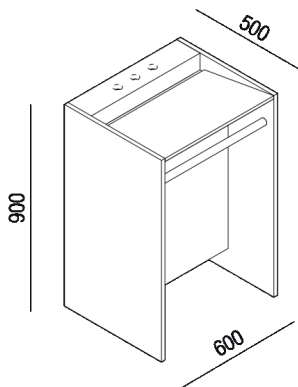







Washbasin with towel holder, wall or floor drainage
 ACER5060FP_

Jean Nouvel Design, 2022



Finiture

-  White Carrara
-  Grey Carnico
-  Black Marquina

Materiali

-  Marble

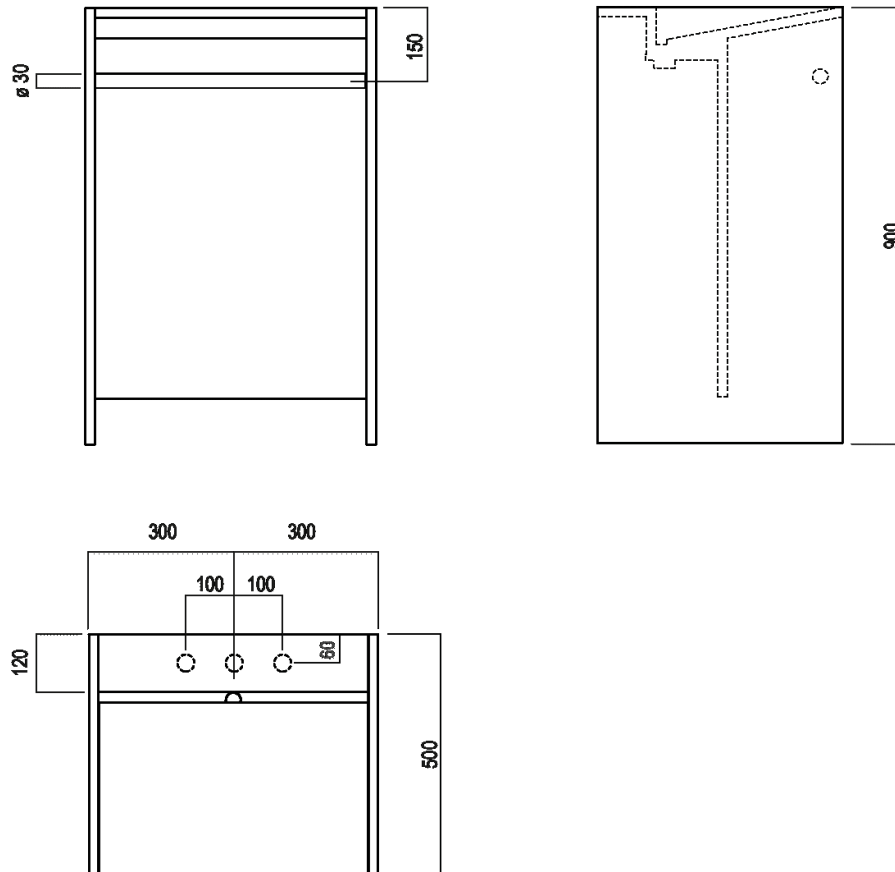
Family of washbasins made with marble slabs. The washbasins are made of white Carrara marble, grey Carnic marble or black Marquina marble, with free drainage, including fixing kits. The towel holder rods are painted white for the white Carrara finish, black for the other finishes. The washbasin does not need a waste, for the column version, the use of the .MET0519 siphon is recommended.

Altezza:	90 cm	35" 7/16 inches
Larghezza:	60 cm	23" 5/8 inches
Peso:	100 kg	220 lbs
Profondità :	50 cm	19" 11/16 inches
Confezione:	93 x 63 x 52 cm	36" 5/8 x 24" 3/4 x 20" 1/2 inches
Peso della confezione:	155 kg	341 lbs

Note: The washbasin can be delivered also in stone or marble types on demand, price to be calculated.

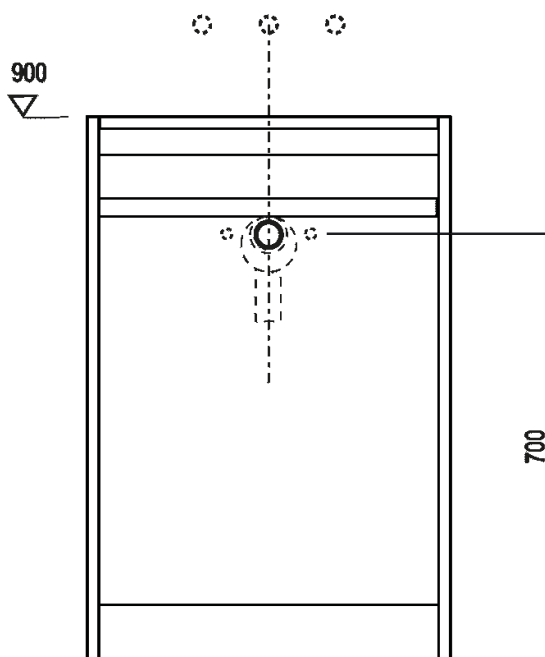


Main dimensions





Installation notes



Scarico per sifone a bottiglia / Drain for bottle trap
Scarico per sifone ad incasso .PLA0456 + AKIT0731 /
Drain for concealed waste trap .PLA0456 + AKIT0731

*h.consigliata / advised h.