

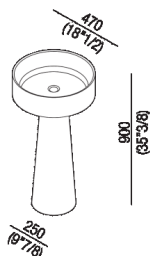


Column washbasin designed for wall drainage

ACER1081M_1

Angelo Mangiarotti, 2011 (1970)

Marble or Cristalplant® biobased washbasin.



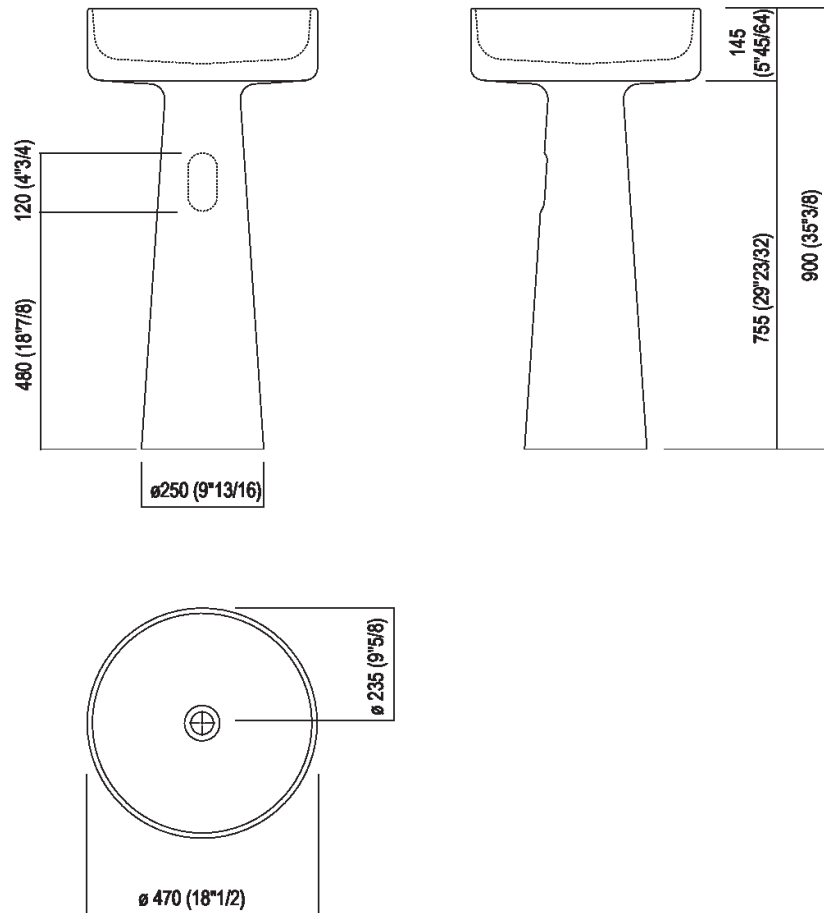
Washbasin in white Carrara marble, grey carnic marble, black Marquina marble or in white Cristalplant® biobased, with cylindric basin and pedestal, without tap hole and without overflow, fixing kit included. Available in wall mounted or freestanding version. The wall-mounted version is furnished with a rear slot for water connections. Both versions require a .MET0563 waste. For the version with floor drainage the waste trap .MET0475 has to be used. The washbasin can be delivered also in stone or marble types on demand, price to be calculated.

Altezza:	90 cm	35" 3/8 inches
Diametro:	47 cm	18" 1/2 inches
Peso:	18 kg	40 lbs
Confezione:	57 x 57 x 95 cm	22" 4/8 x 22" 4/8 x 37" 3/8 inches
Peso della confezione:	20 kg	44 lbs

Note: The washbasin can be delivered also in stone or marble types on demand, price to be calculated. The above measurements refer to the Cristalplant® biobased version, for the marble version the measurements are: Weight: 172 lbs Packaging: 21" 5/8 x 26" 6/8 x 31" 4/8 Gross weight: 216 lbs

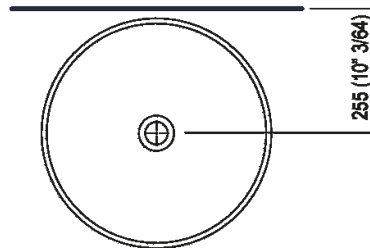
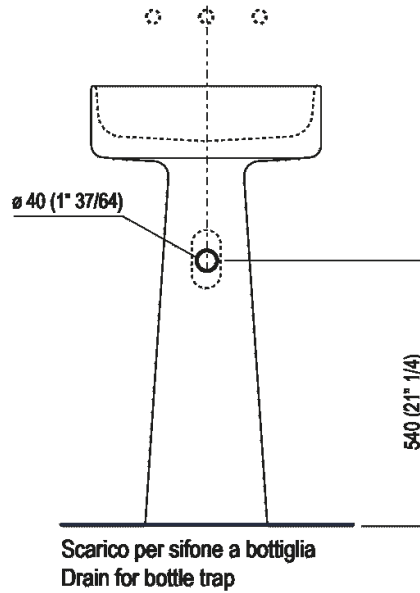


Main dimensions - Cristalplant® biobased version



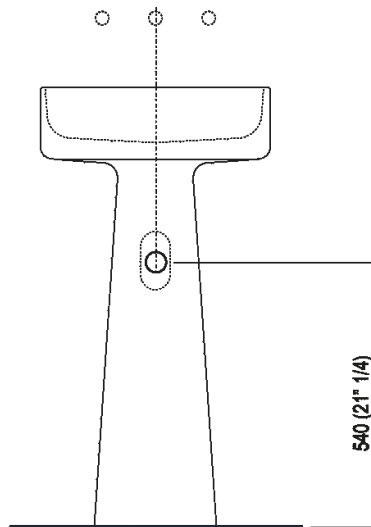


Installation notes: wall mounted tap

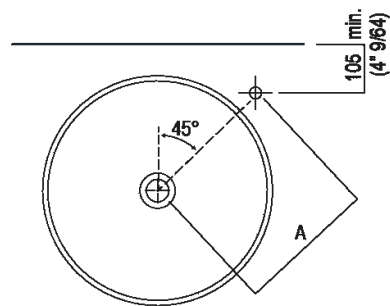




Installation notes: floor-mounted tap



Scarico per sifone a bottiglia
Drain for bottle trap



		A
FEZ2	AFEZ004	355 (13"31/32)
	ARUB146	355 (13"31/32)
MEMORY	AMEM323	355 (13"31/32)
	ARUB1092	355 (13"31/32)
SEN	ASEN0962N	285 (11"7/32)
SQUARE	ARUB1096	285 (11"7/32)
	ARUB1020*	285 (11"7/32)

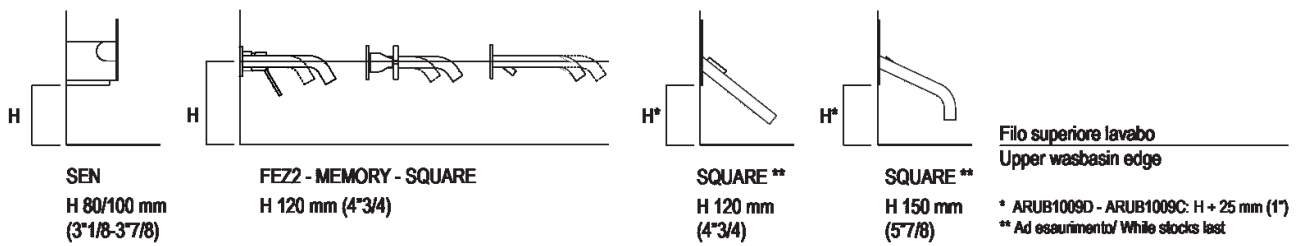
*ad esaurimento / while stocks last



Tap position, recommended height

POSIZIONE RUBINETTERIA / TAP POSITION

Altezza consigliata / Recommended height





Main dimensions - marble version

